



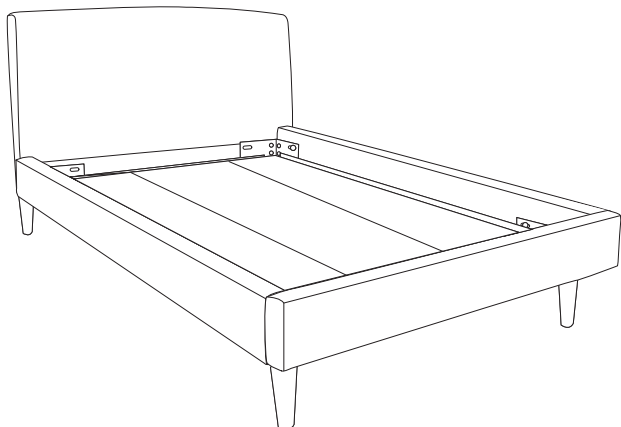
WARNING

- Do not place near windows where cords from blinds or drapes may strangle a child.
- Do not place items with a string, cord or ribbon around a child's neck, such as hood strings or pacifier cords.
- Do not suspend strings over a bed for any reason.
- The minimum age shall be no less than 15 months.
- The intended mattress dimension on the bed are as follows:
Full: 53"-54"W x 74"-75"L



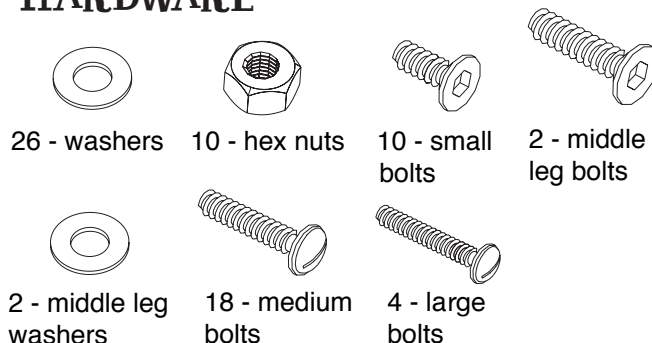
MISE EN GARDE

- Ne pas mettre le lit près d'une fenêtre, afin d'éviter les risques d'étranglement avec les cordons de rideaux ou de stores.
- Ne pas laisser autour du cou de l'enfant des objets munis de ficelles, cordons, ou rubans, tels des cordons de capuches ou de sucettes.
- Ne suspendre en aucune façon des ficelles au-dessus du lit.
- L'âge minimum ne doit pas être de moins de 15 mois.
- Les dimensions du matelas adéquat sont les suivantes:
Full: 53"-54"W x 74"-75"L



Thank you for purchasing the **As You Wish Full Bed**. This page lists all the contents included in the box. Please take the time to identify the hardware as well as the individual components to this product. As you unpack and prepare for assembly, place the contents on a carpeted or padded area to protect them from damage.
Note: 2 people are required to safely assemble this product.

HARDWARE

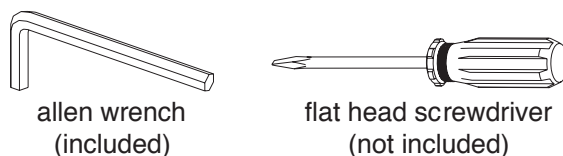


26 - washers 10 - hex nuts 10 - small bolts 2 - middle leg bolts
2 - middle leg washers 18 - medium bolts 4 - large bolts

Missing hardware?
Please call **800.933.9904** for replacements.
NOTE: Contains small parts. Keep away from small children.

⚠ WARNING: Adult Assembly Required

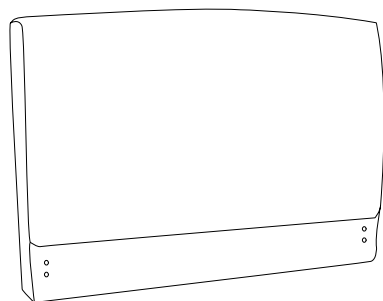
TOOLS REQUIRED



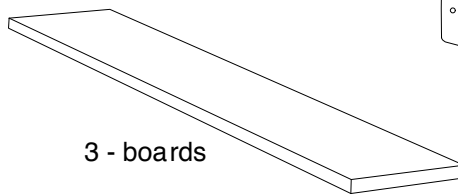
allen wrench
(included)

flat head screwdriver
(not included)

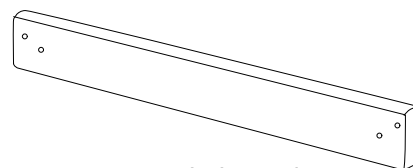
COMPONENTS



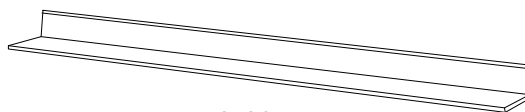
1 - headboard



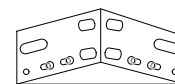
3 - boards



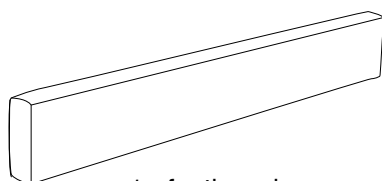
2 - upholstered side rails



4 - metal side rails



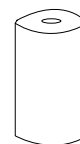
4 - corner brackets



1 - footboard



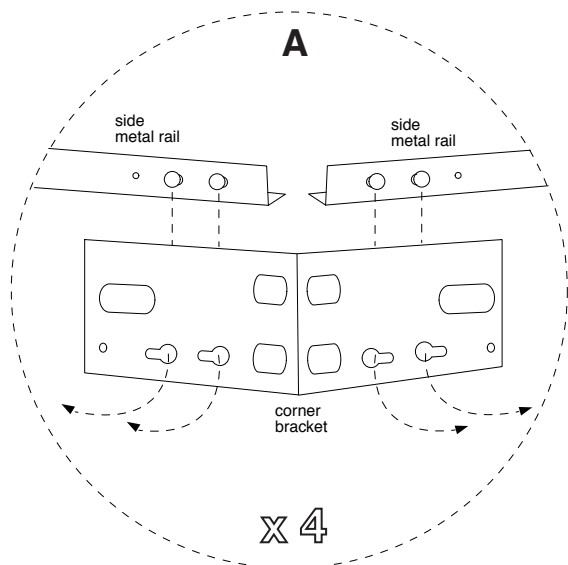
1 - metal middle rail



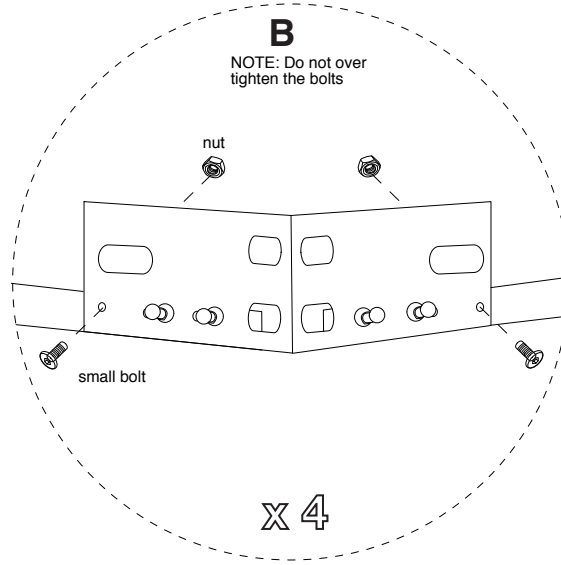
2 - middle leg w/ adjustable feet



4 - legs



A. With the assistance of another adult, fit holes of 1 **corner bracket** into corresponding pegs of 2 **side metal rails**. Slide pegs of rails as shown to secure.

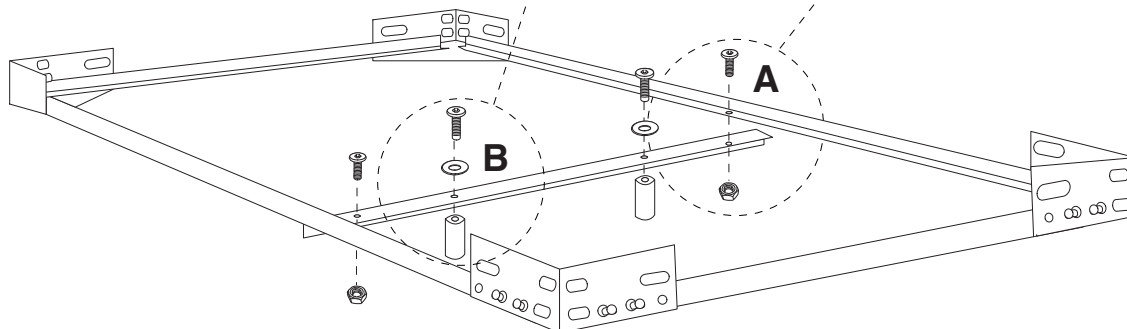
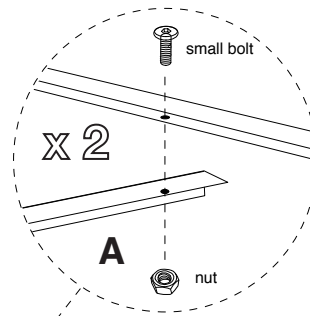
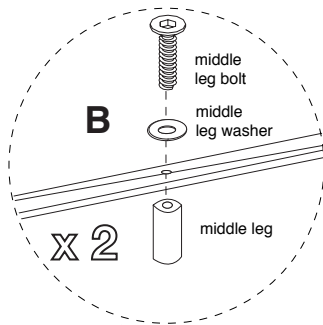


B. Secure **corner bracket** with 2 **small bolts** and 2 **nuts** using an **allen wrench**. Do not over tighten the bolts. Repeat for all remaining **corner brackets**.

1

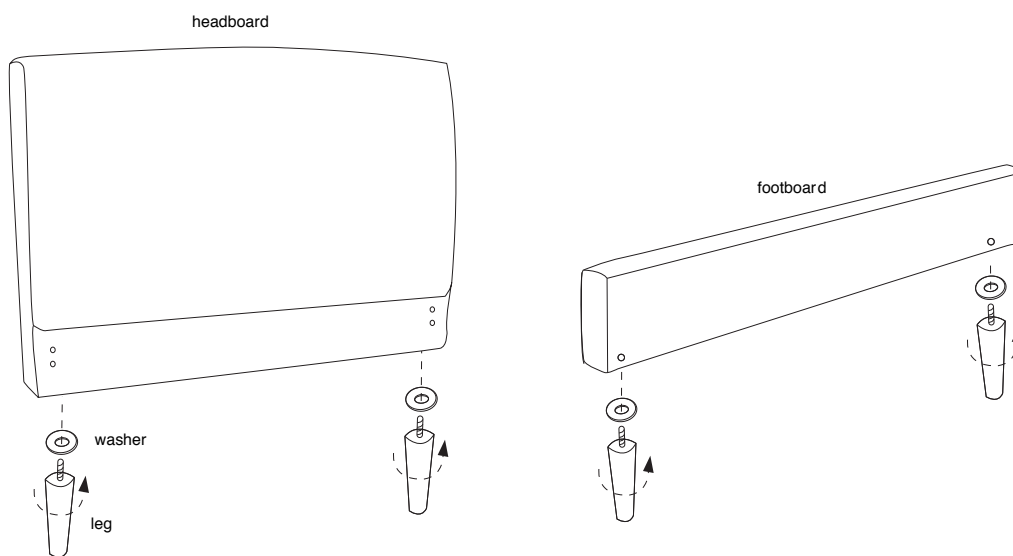
A. Attach **middle metal rail** to **side metal rails** with 2 **small bolts** and 2 **nuts** as shown, using an **allen wrench**.

B. Attach each **middle leg** to **middle metal rail** with 1 **middle leg washer** and 1 **middle leg bolt**, using an **allen wrench**. Adjust leg as necessary.



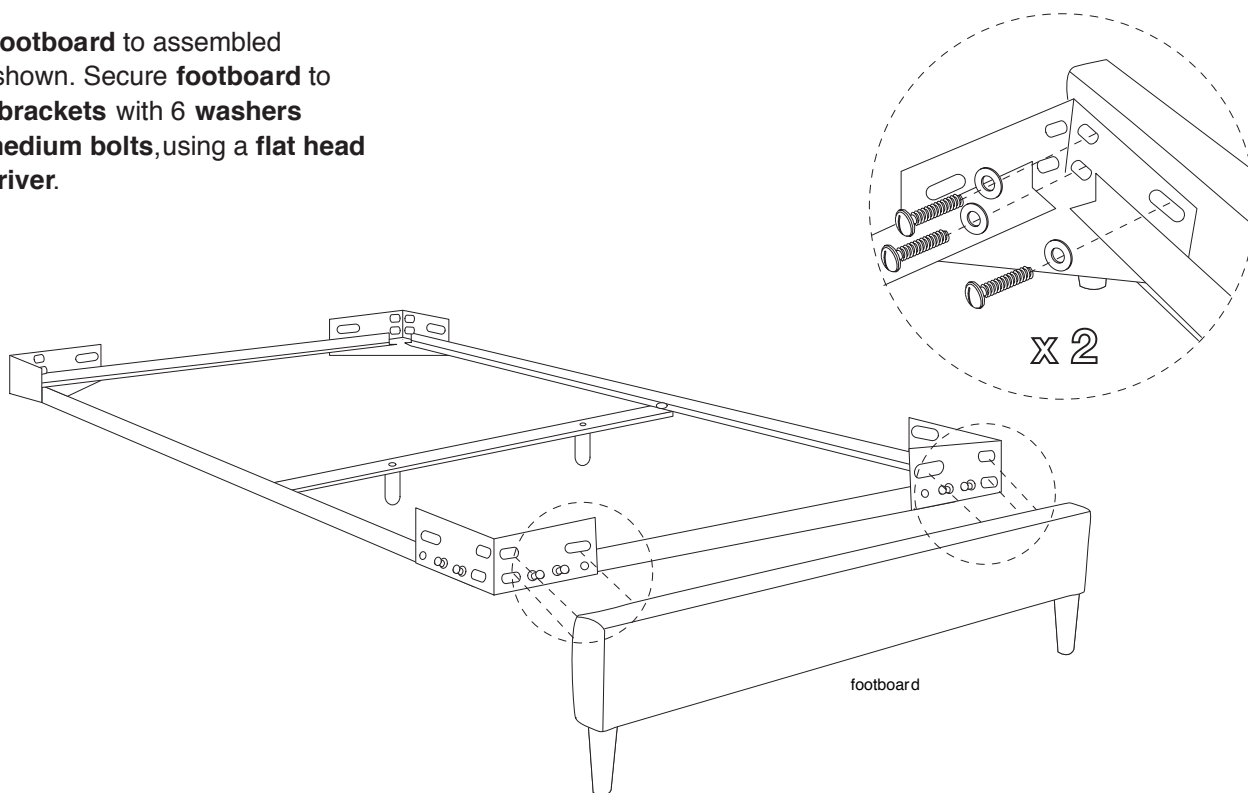
2

Attach 2 **legs** to **headboard** and **footboard** with 1 **washer** per leg as shown. Turn each leg counter-clockwise to secure.



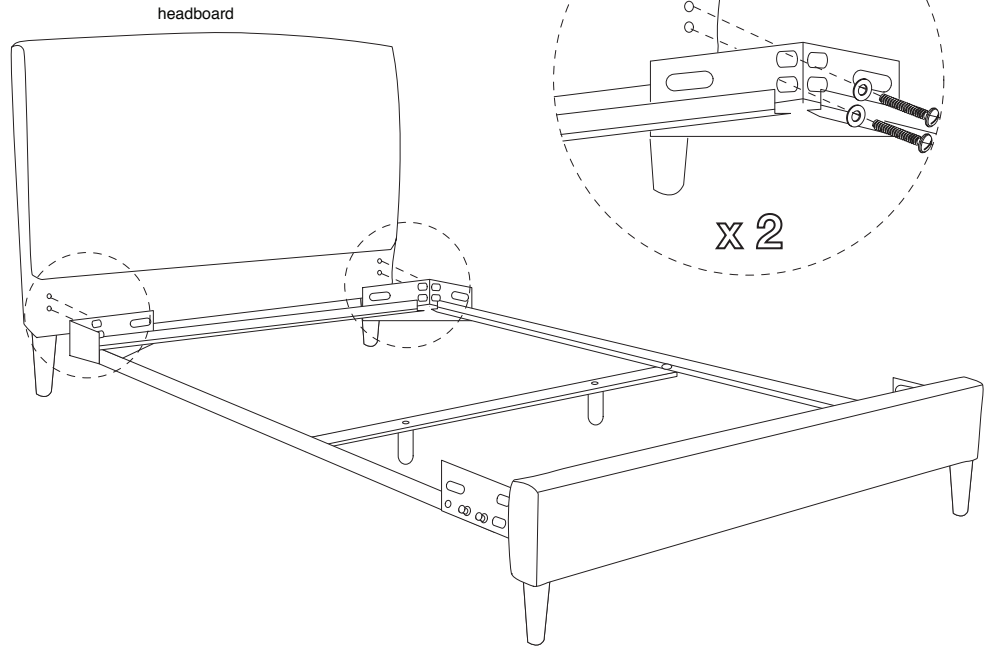
3

Attach **footboard** to assembled unit as shown. Secure **footboard** to **corner brackets** with 6 **washers** and 6 **medium bolts**, using a **flat head screwdriver**.



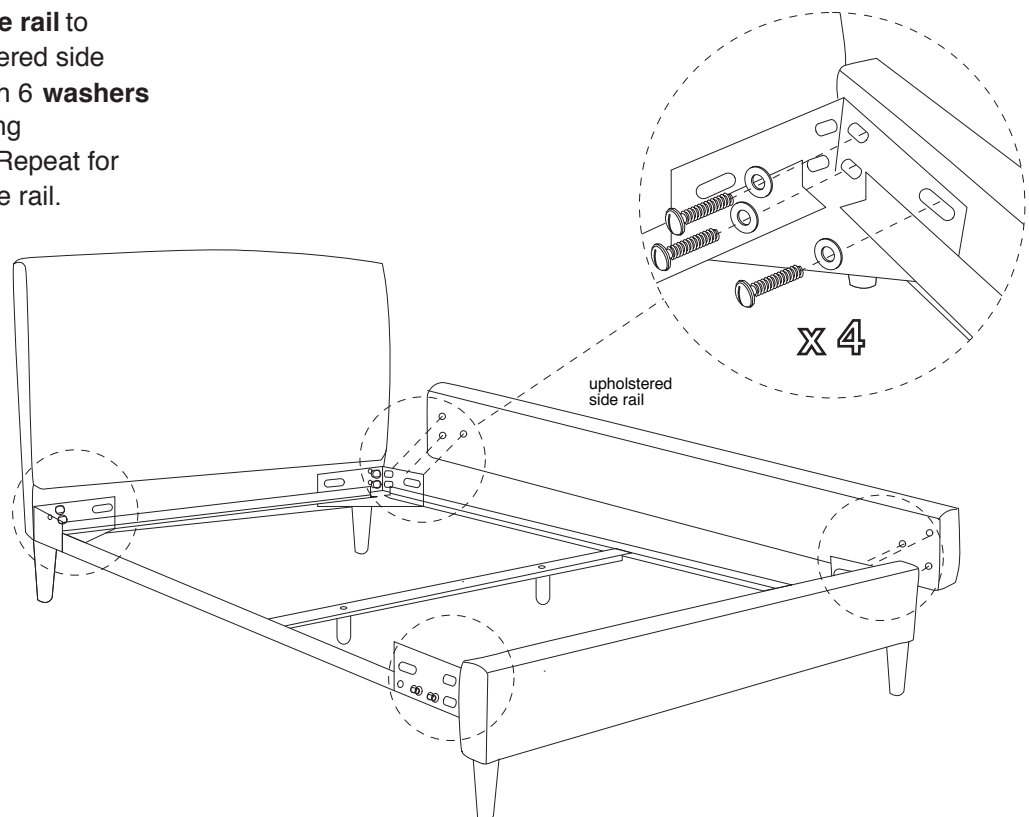
4

Attach **headboard** to assembled unit as shown. Secure headboard to **corner brackets** with 4 **washers** and 4 **large bolts**, using a **flat head screwdriver**.



5

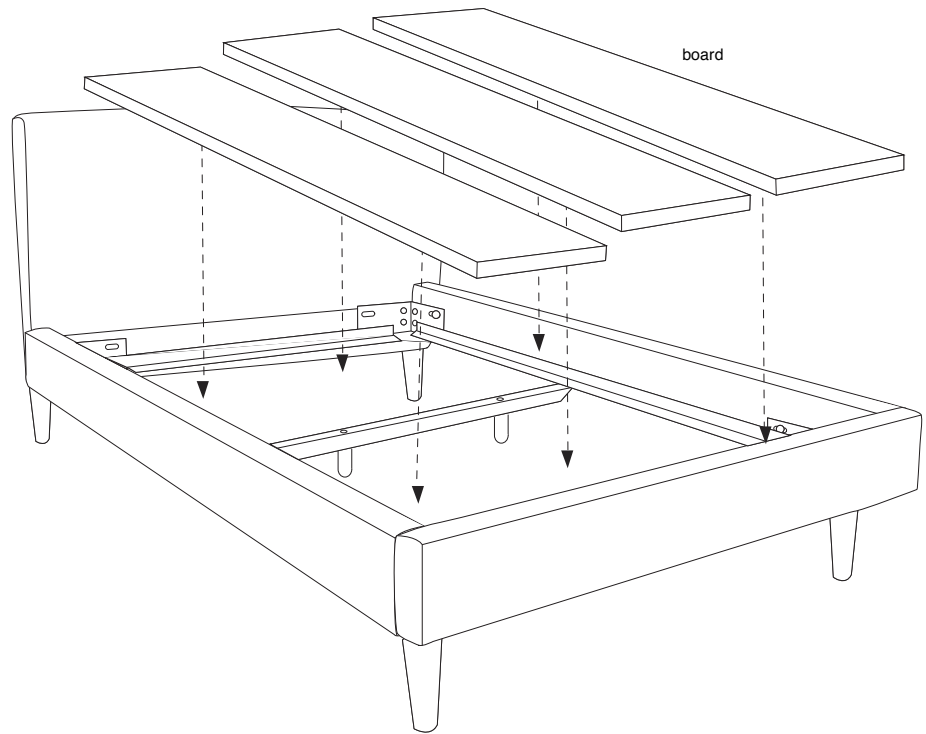
Attach 1 **upholstered side rail** to assembly. Secure upholstered side rail to corner brackets with 6 **washers** and 6 **medium bolts**, using a **flat head screwdriver**. Repeat for remaining upholstered side rail.



6

Place 3 **boards** onto metal side rails as shown.

Assembly is now complete.



7

CLEANING AND CARE

Clean surfaces with a dry or damp soft cloth. Do not use abrasive cleaners.