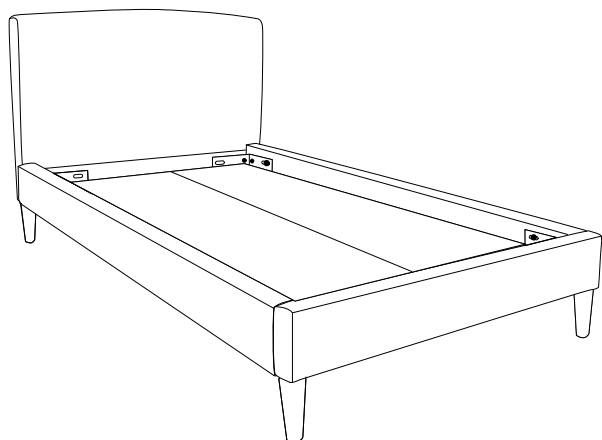




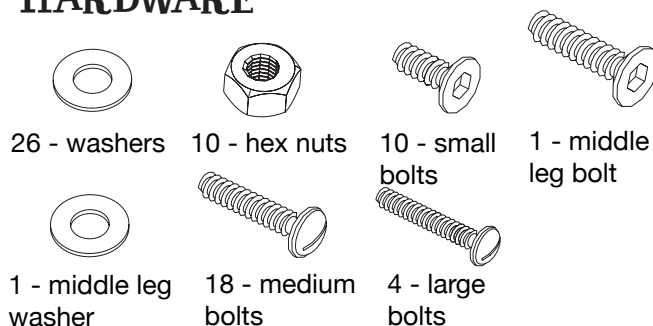
## **WARNING**

- Do not place bed near windows where cords from blinds or drapes may strangle a child.
- Do not place items with a string, cord, or ribbon around a child's neck, such as hood strings or pacifier cords
- Do not suspend strings over a bed for any reason
- The minimum age shall be no less than 15 months
- The intended mattress dimension on the bed is 37 1/2"-38 1/2"W x 74"-75"L



Thank you for purchasing the **As You Wish Twin Bed**. This page lists all the contents included in the box. Please take the time to identify the hardware as well as the individual components to this product. As you unpack and prepare for assembly, place the contents on a carpeted or padded area to protect them from damage.  
Note: 2 people are required to safely assemble this product.

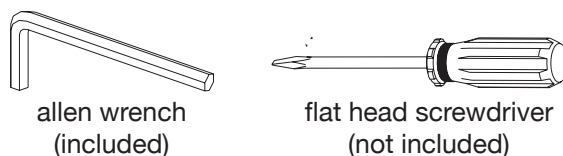
## HARDWARE



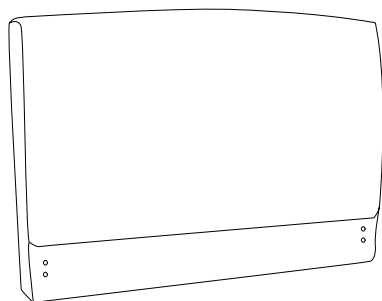
Missing hardware?  
Please call **800.933.9904** for replacements.  
NOTE: Contains small parts. Keep away from small children.

**⚠ WARNING: Adult Assembly Required**

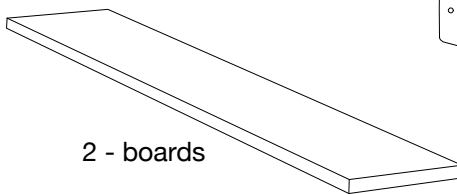
## TOOLS REQUIRED



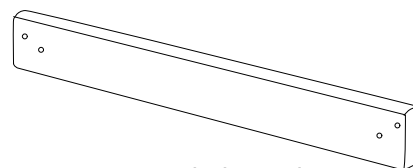
## COMPONENTS



1 - headboard



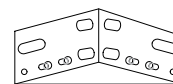
2 - boards



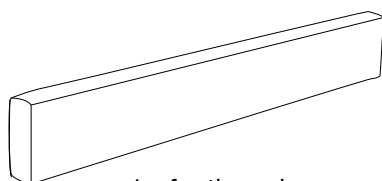
2 - upholstered side rails



4 - metal side rails



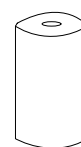
4 - corner brackets



1 - footboard



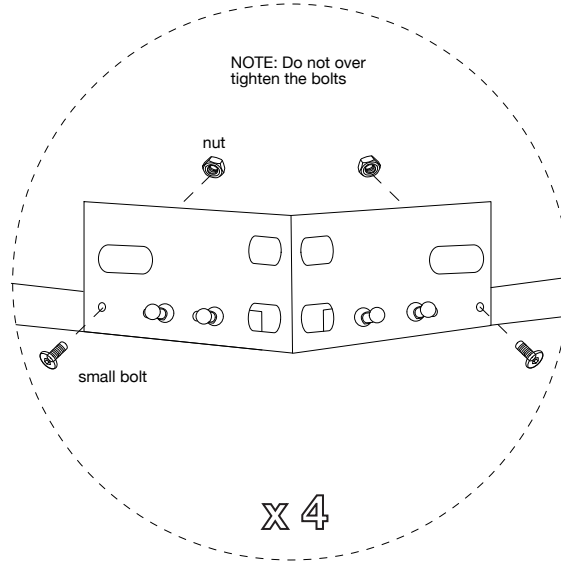
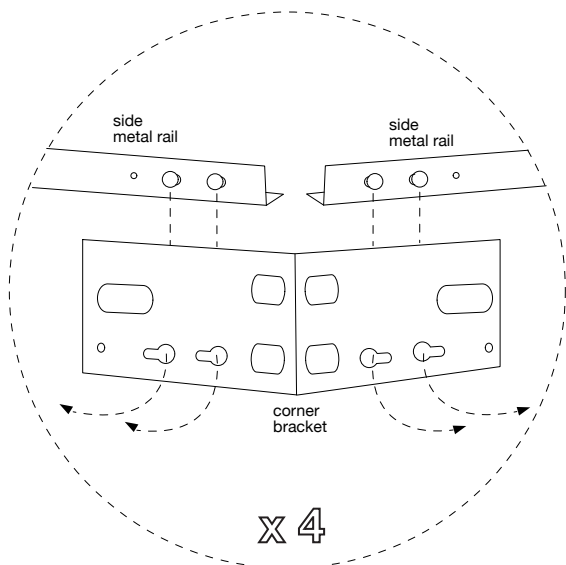
1 - metal middle rail



1 - middle leg w/ adjustable foot



4 - legs

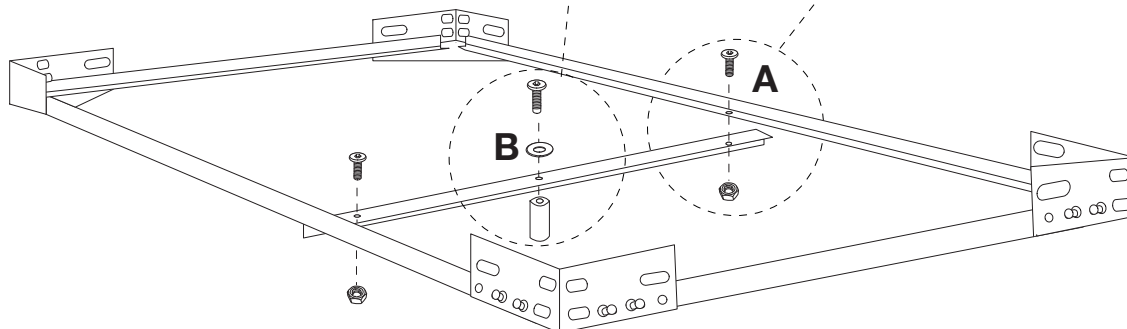
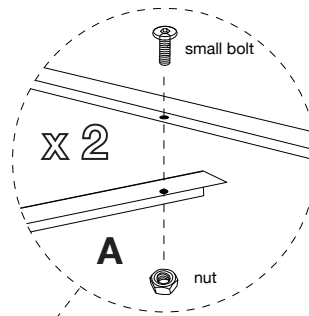
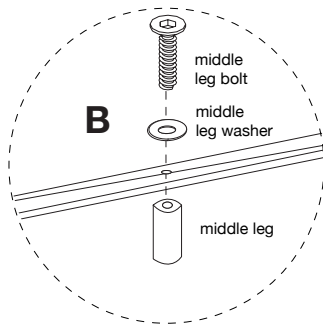


**1** A. With the assistance of another adult, fit holes of 1 **corner bracket** into corresponding *pegs* of 2 **side metal rails**. Slide *pegs* of rails as shown to secure.

B. Secure **corner bracket** with 2 **small bolts** and 2 **nuts** using an **allen wrench**. Do not over tighten the bolts. *Repeat for all remaining corner brackets.*

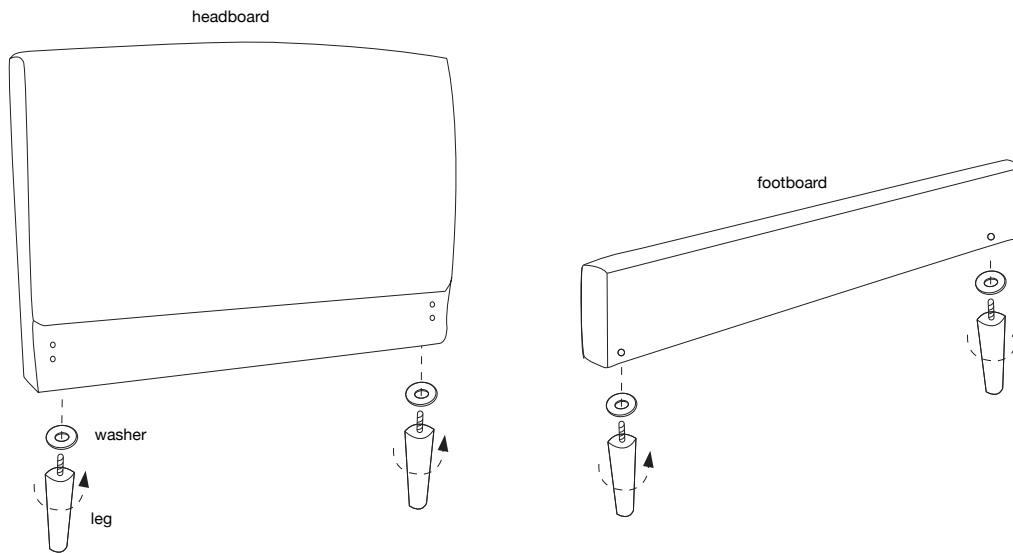
A. Attach **middle metal rail** to **side metal rails** with 2 **small bolts** and 2 **nuts** as shown, using an **allen wrench**.

B. Attach **middle leg** to **middle metal rail** with 1 **middle leg washer** and 1 **middle leg bolt**, using an **allen wrench**. Adjust leg as necessary.



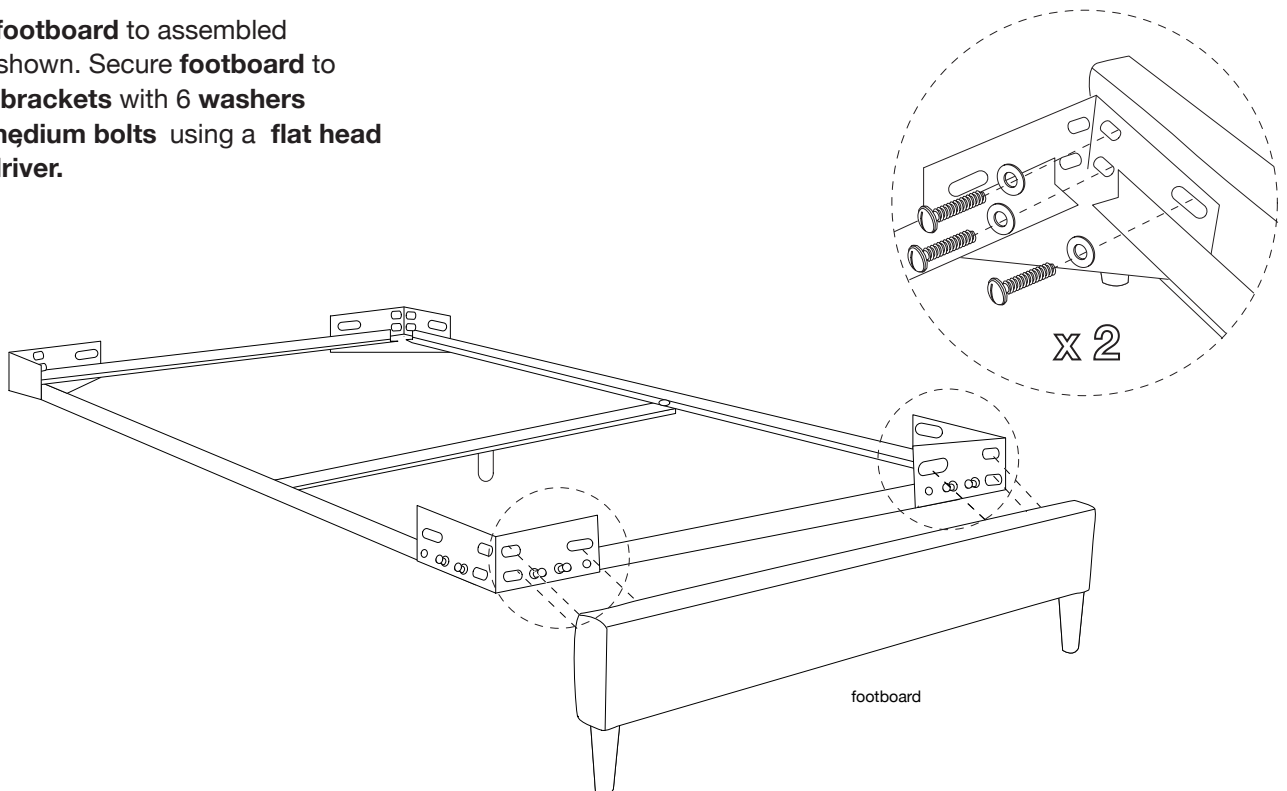
**2**

Attach 2 **legs** to **headboard** and **footboard** with 1 **washer** per leg as shown. Turn each leg counter-clockwise to secure.



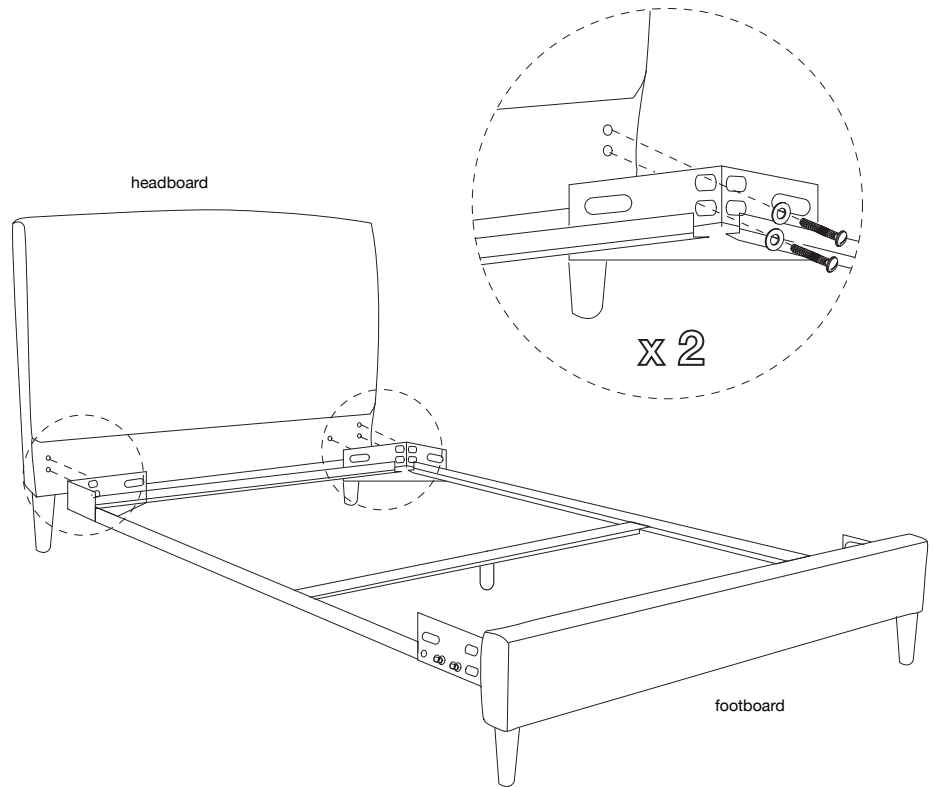
### 3

Attach **footboard** to assembled unit as shown. Secure **footboard** to **corner brackets** with 6 **washers** and 6 **medium bolts** using a **flat head screwdriver**.



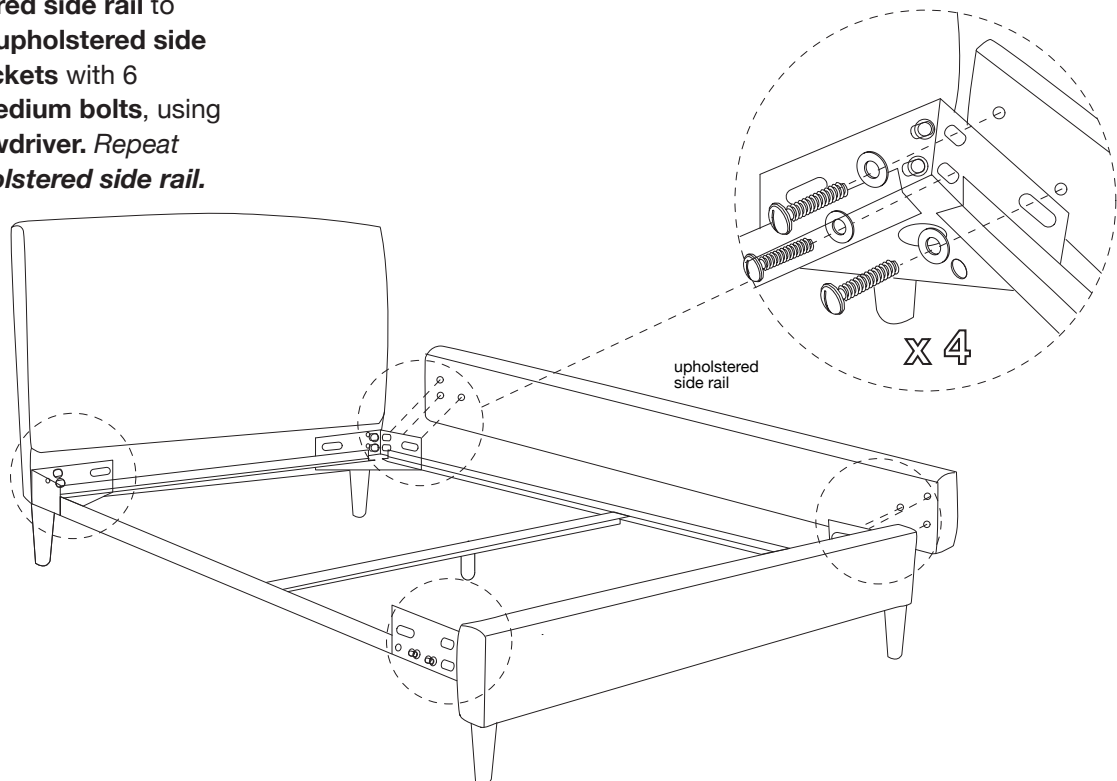
### 4

Attach **headboard** to assembled unit as shown. Secure **headboard** to **corner brackets** with 4 **washers** and 4 **large bolts**, using a **flat head screwdriver**.



### 5

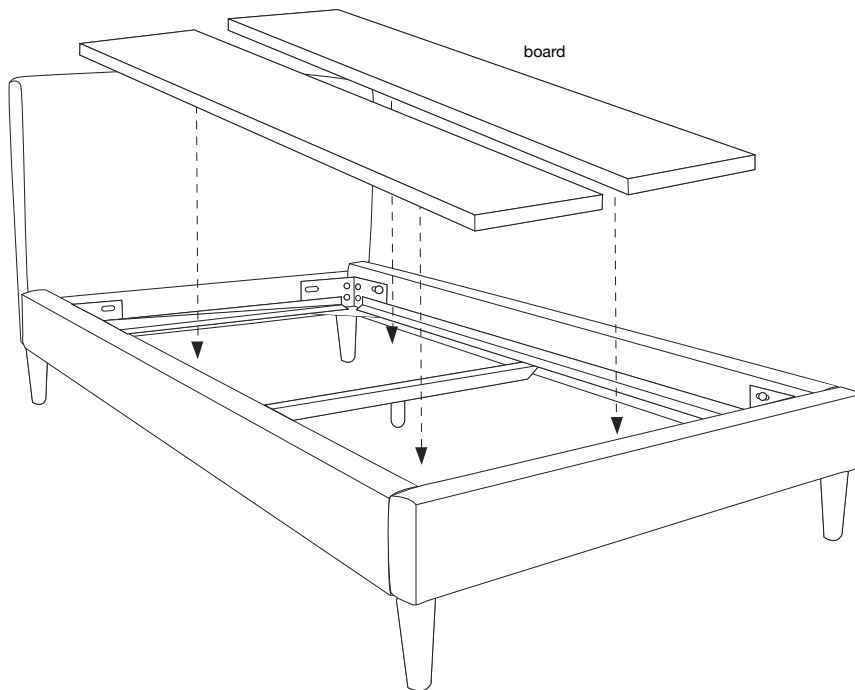
Attach 1 **upholstered side rail** to assembly. Secure **upholstered side rail** to **corner brackets** with 6 **washers** and 6 **medium bolts**, using an **flat head screwdriver**. Repeat for remaining **upholstered side rail**.



### 6

Place 2 **boards** onto **metal side rails** as shown.

Assembly is now complete.



7

## CLEANING AND CARE

Clean surfaces with a dry or damp soft cloth. Do not use abrasive cleaners.