

 **WARNING**

**Failure to install lid supports can cause injury. Follow all installation instructions provided:**

- The purpose of the lid supports is to prevent the lid from closing too quickly.
- After installation check lid support to ensure that the lid stays open in any position.
- It is important to check the lid supports frequently to ensure that they are working properly.

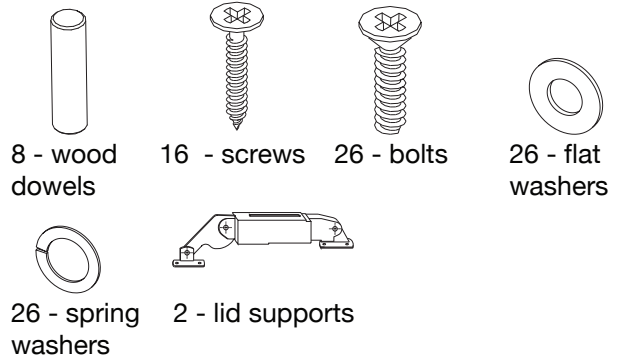
If the lid supports are not holding the properly please contact The Land of Nod.



Thank you for purchasing the **Beat Our Chest Toy Chest**. This page lists all the contents included in the box. Please take the time to identify the hardware as well as the individual components to this product. As you unpack and prepare for assembly, place the contents on a carpeted or padded area to protect them from damage.

Note: 2 people are required to safely assemble this product.

## HARDWARE



Missing hardware? Please call **800.933.9904** for replacements.  
NOTE: Contains small parts. Keep away from small children.

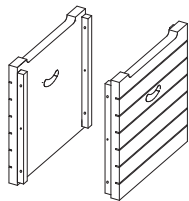
**⚠ WARNING: Adult Assembly Required**

## TOOLS REQUIRED

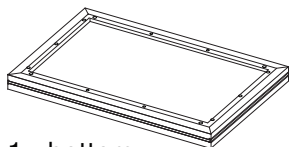
phillips head screwdriver

(We recommend the use of hand tools instead of power tools)

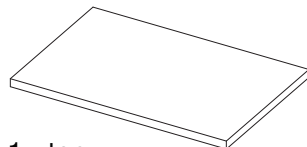
## COMPONENTS



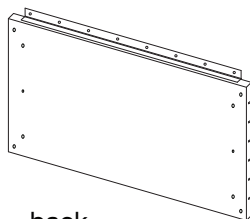
2 - side panels  
(1 left, 1 right)



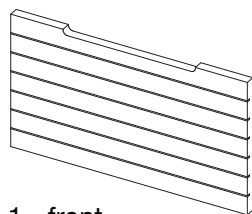
1 - bottom panel



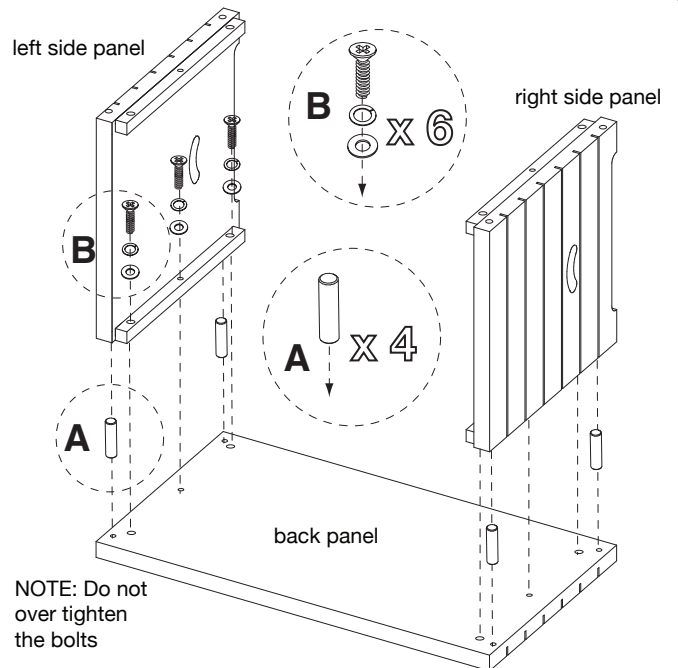
1 - top panel



1 - back panel

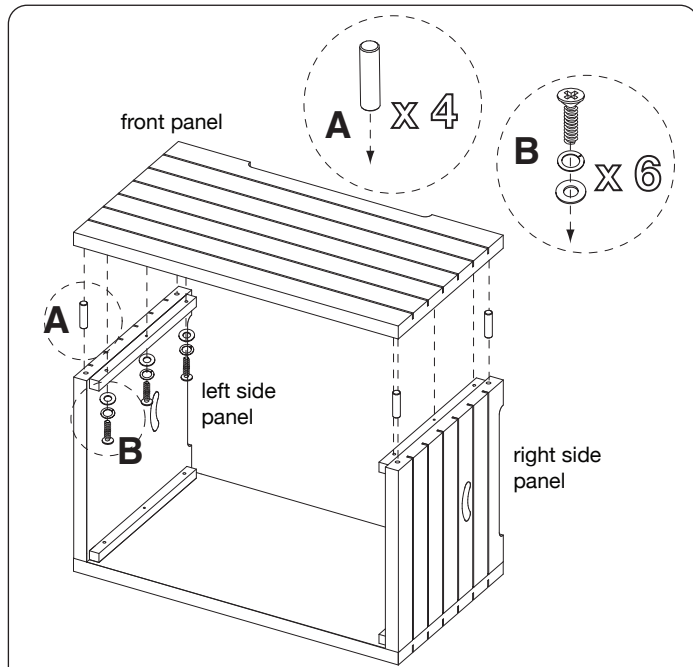


1 - front panel



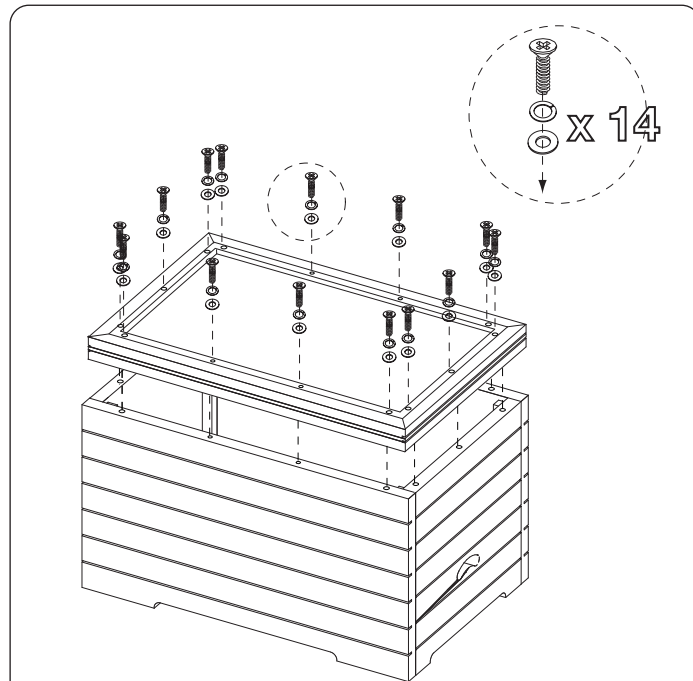
NOTE: Do not over tighten the bolts

**1** A. Insert 4 **wood dowels** into **back panel** as shown.  
B. Fit dowels into **left and right side panels**, and secure each panel with 3 **bolts**, 3 **spring washers** and 3 **flat washers**, using a **phillips head screwdriver**. Do not over tighten the bolts.



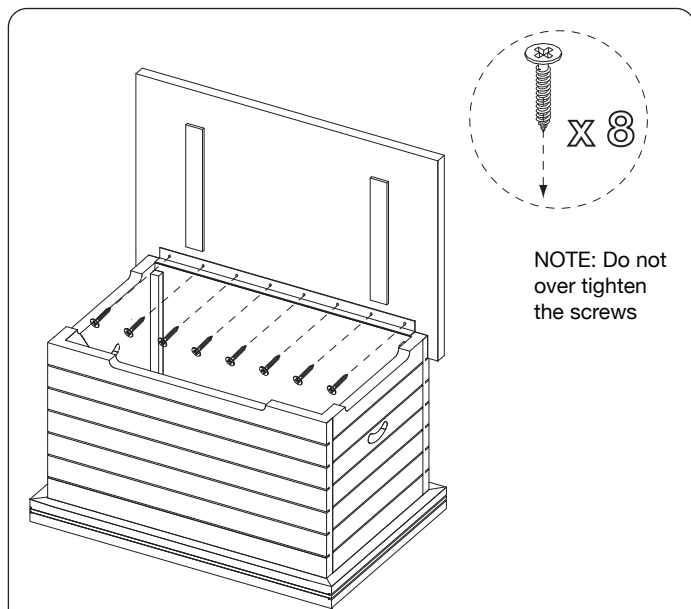
2

A. Insert 2 **wood dowels** into **left and right side panels** as shown.  
B. Fit dowels into **front panel**, and secure with 6 **bolts**, 6 **spring washers** and 6 **flat washers**.



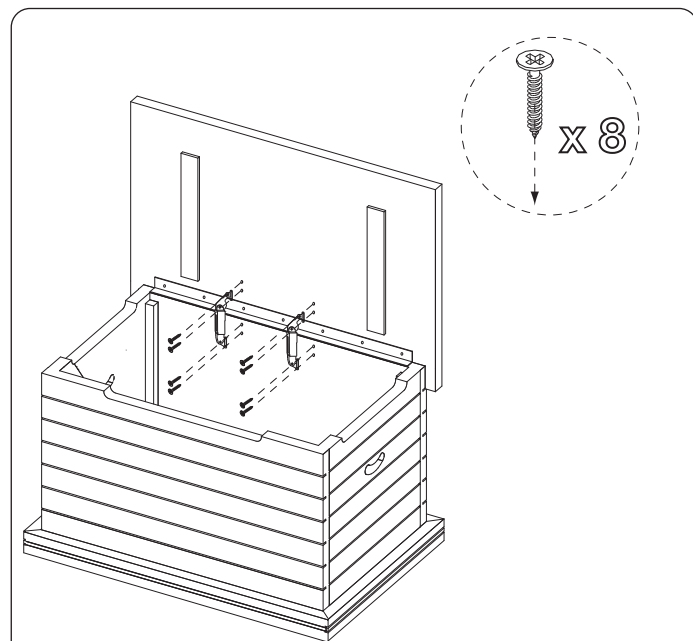
3

With assistance of another adult, position unit upside down. Attach **bottom panel** to assembly with 14 **bolts**, 14 **spring washers** and 14 **flat washers**.



4

Position unit upright. Attach **top panel** to hinge of **back panel** with 8 **screws**. Secure, but do not over tighten, with a screwdriver.



5

Attach 2 **lid supports** to **top and back panels** with 4 **screws** per support. Close top panel. Assembly is now complete.

**CLEANING AND CARE** Clean surfaces with a dry or damp soft cloth. Do not use abrasive cleaners. Do not use furniture wax or polish as the unit is finished with a protective clear lacquer.