
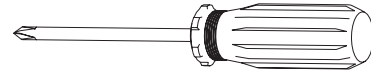


Thank you for purchasing the **Blake Desk**. This page lists all the contents included in the box. Please take the time to identify the hardware as well as the individual components to this product. As you unpack and prepare for assembly, place the contents on a carpeted or padded area to protect them from damage.

Note: 2 people are required to safely assemble this product.

 **WARNING:** Adult Assembly Required

## TOOLS REQUIRED



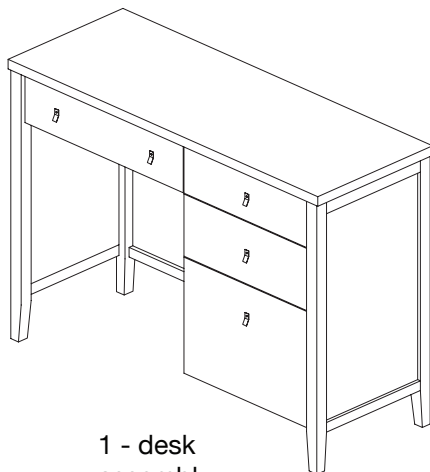
Phillips head screwdriver

(We recommend the use of hand tools instead of power tools)

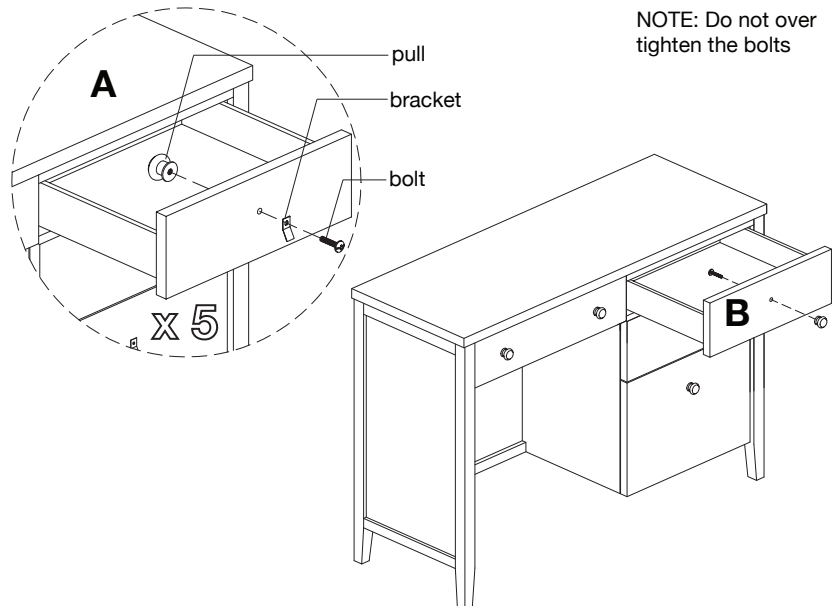
## CLEANING AND CARE

Clean surfaces with a dry or damp soft cloth. Do not use abrasive cleaners. Do not use furniture wax or polish as the unit is finished with a protective clear lacquer.

## COMPONENTS



1 - desk assembly



A) Remove *brackets* and *pulls* from drawers in **desk assembly** using a **Phillips head screwdriver** discard brackets.

B) Re-attach 5 *pulls* to drawer front of **desk assembly** with 1 *bolt* per *pull* as shown. Secure, but do not over tighten, bolts using a screwdriver.

Assembly is now complete.

# 1