
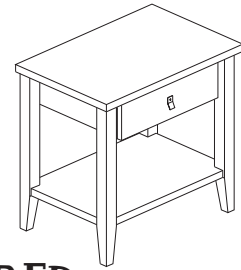


Thank you for purchasing the **Blake Nightstand**. This page lists all the contents included in the box. Please take the time to identify the hardware as well as the individual components to this product. As you unpack and prepare for assembly, place the contents on a carpeted or padded area to protect them from damage. Note: 2 people are required to safely assemble this product.

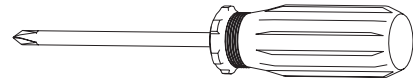
 **WARNING: Adult Assembly Required**

COMPONENTS

1 - nightstand assembly



TOOLS REQUIRED



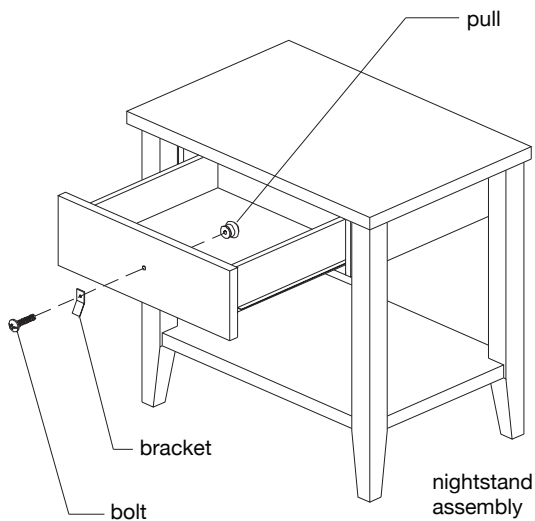
Phillips head screwdriver

(We recommend the use of hand tools instead of power tools)

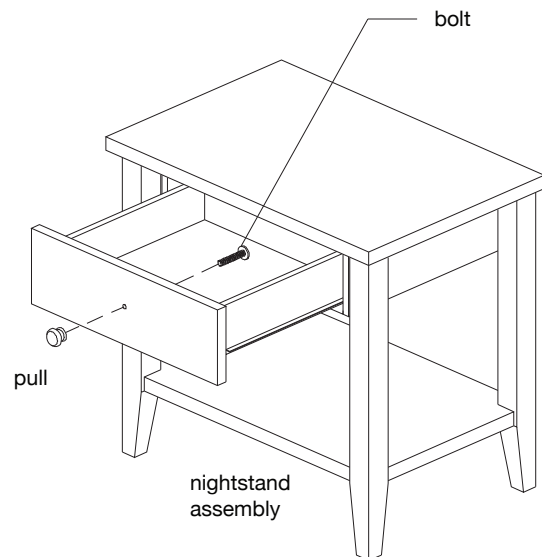
NOTE: Contains small parts. To avoid danger of choking, keep away from small children.

CLEANING & CARE

Clean surfaces with a dry or damp soft cloth. Do not use abrasive cleaners. Do not use furniture wax or polish as the unit is finished with a protective clear lacquer.



1 Remove pre-attached bolt from *pull*. Set hardware aside and discard bracket.



2 Position *pull* as shown and fasten with *bolt* from inside drawer. Secure with a screwdriver. Assembly is now complete.