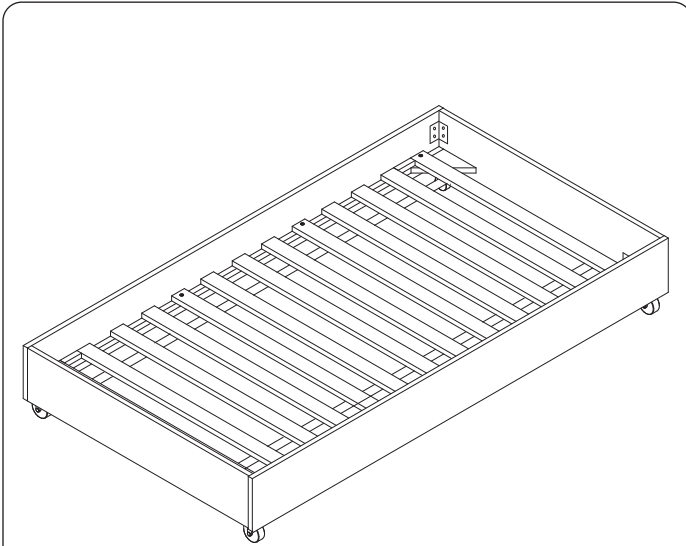




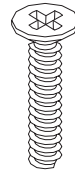
WARNING

- Do not place bed near windows where cords from blinds or drapes may strangle a child.
- Do not place items with a string, cord, or ribbon around a child's neck, such as hood strings or pacifier cords
- Do not suspend strings over a bed for any reason
- The minimum age shall be no less than 15 months
- The intended mattress dimension on the bed is 71"L x 38"W x 5"H

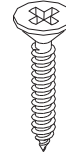


Thank you for purchasing the **Blake Storage Trundle**. This page lists all the contents included in the box. Please take the time to identify the hardware as well as the individual components to this product. As you unpack and prepare for assembly, place the contents on a carpeted or padded area to protect them from damage.
Note: 2 people are required to safely assemble this product.

HARDWARE



8 - large bolts



8 - screws



16 - small bolts



24 - wood dowels



24 - spring washers



24 - flat washers

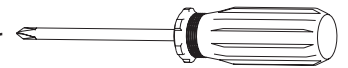


4 - brackets

Missing hardware? Please call **800.933.9904** for replacements.

TOOLS REQUIRED

Phillips head screwdriver

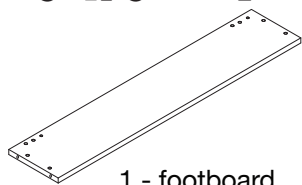


Allen wrench (included)

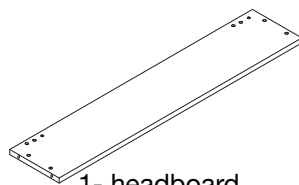


(We recommend the use of hand tools instead of power tools)

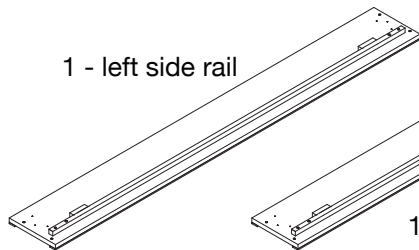
COMPONENTS



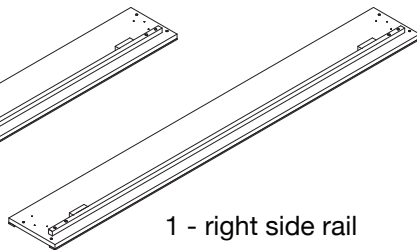
1 - footboard



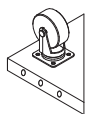
1 - headboard



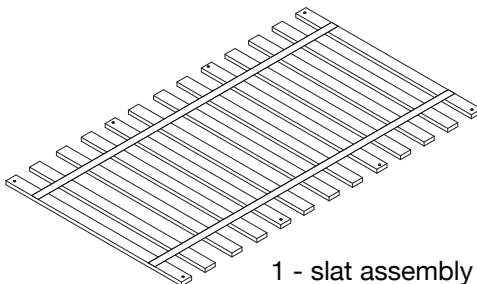
1 - left side rail



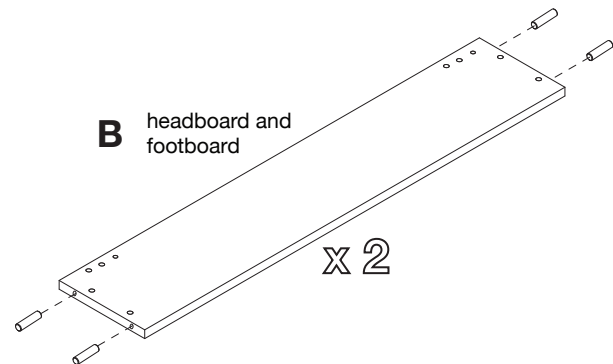
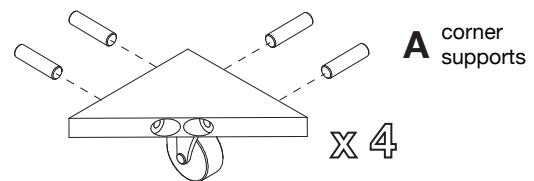
1 - right side rail



4 - corner supports
(2 left, 2 right)



1 - slat assembly



A. Insert 4 **wood dowels** into 4 **corner supports** as shown.

1 B. Insert 4 **wood dowels** into **headboard and footboard** as shown.

2

NOTE: Make sure wheels on each corner support are facing the bottom as shown

headboard and footboard X 2

NOTE: Do not over tighten the bolts

Fit dowels of **corner supports** into corresponding holes of **footboard** and **headboard** as shown. Secure each support with 1 **large bolt**, 1 **spring washer**, and 1 **flat washer**, using a **phillips head screwdriver**. Do not over tighten the bolts.

3

NOTE: Do not over tighten the screws

headboard and footboard X 2

Attach 2 **brackets** to **footboard** and **headboard** with 2 **small bolts**, 2 **springs**, and 2 **flat washers** per bracket, using an **allen wrench**. Do not over tighten the screws.

4

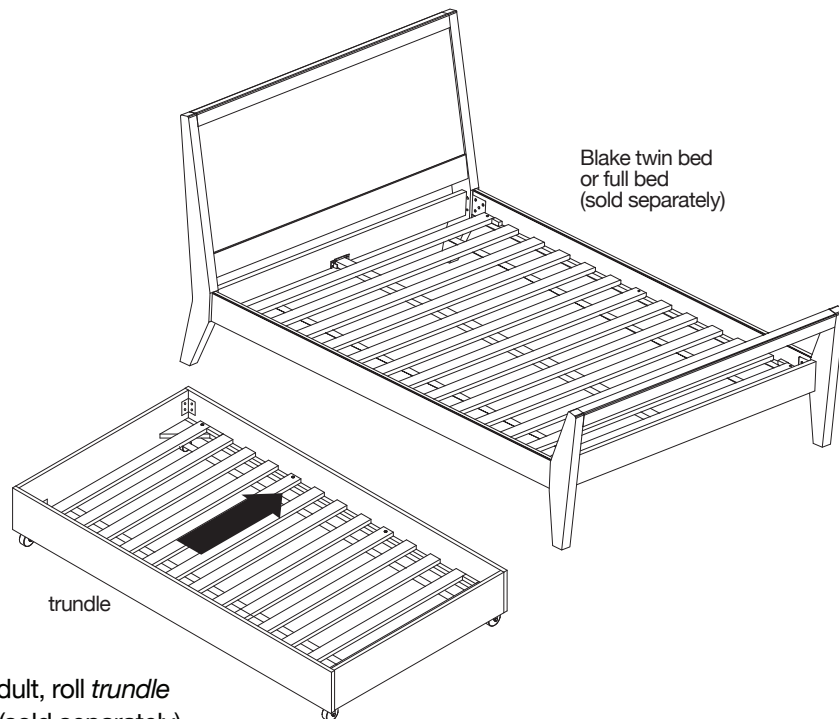
A. With the assistance of another adult, fit dowels of **headboard** and **footboard** into corresponding holes of **left side rail** as shown. Secure each corner with 1 **large bolt**, 1 **spring washer**, and 1 **flat washer**.

B. Attach each bracket of **headboard** and **footboard** to **left side rail** with 2 **small bolts**, 2 **spring washers**, and 2 **flat washers** per bracket. Repeat step 3 for **right side rail**.

5

NOTE: It is important to attach the slats to the rails as shown

Attach **slat assembly** to assembled unit with 8 **large screws**. Secure each screw with a screwdriver. Make sure straps of slat assembly are on facing the bottom as shown.



With the assistance of another adult, roll *trundle* under *Blake twin bed or full bed* (sold separately). Assembly is now complete.

6

CLEANING AND CARE

Clean surfaces with a dry or damp soft cloth. Do not use abrasive cleaners. Do not use furniture wax or polish as the unit is finished with a protective clear lacquer.