
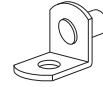


Thank you for purchasing the **Blake Dresser**. This page lists all the contents included in the box. Please take the time to identify the hardware as well as the individual components to this product. As you unpack and prepare for assembly, place the contents on a carpeted or padded area to protect them from damage. Note: 2 people are required to safely assemble this product.

 **WARNING: Adult Assembly Required**

HARDWARE



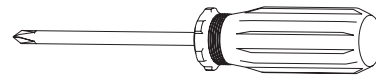
8 - shelf supports



8 - screws

Missing hardware? Please call **800.933.9904** for replacements. NOTE: Contains small parts. To avoid danger of choking, keep away from small children.

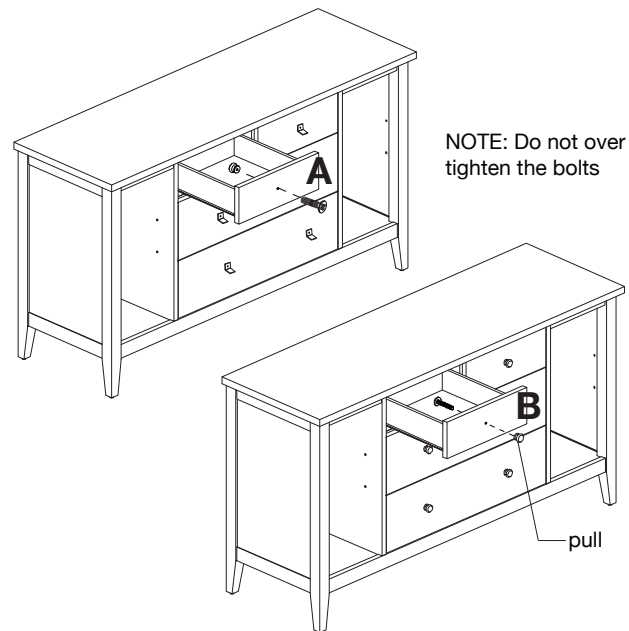
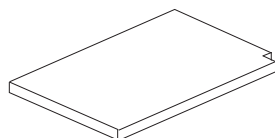
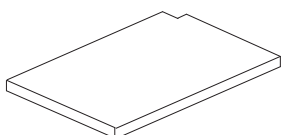
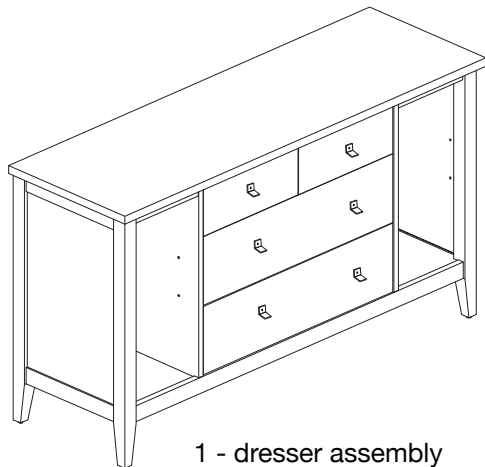
TOOLS REQUIRED



Phillips head screwdriver

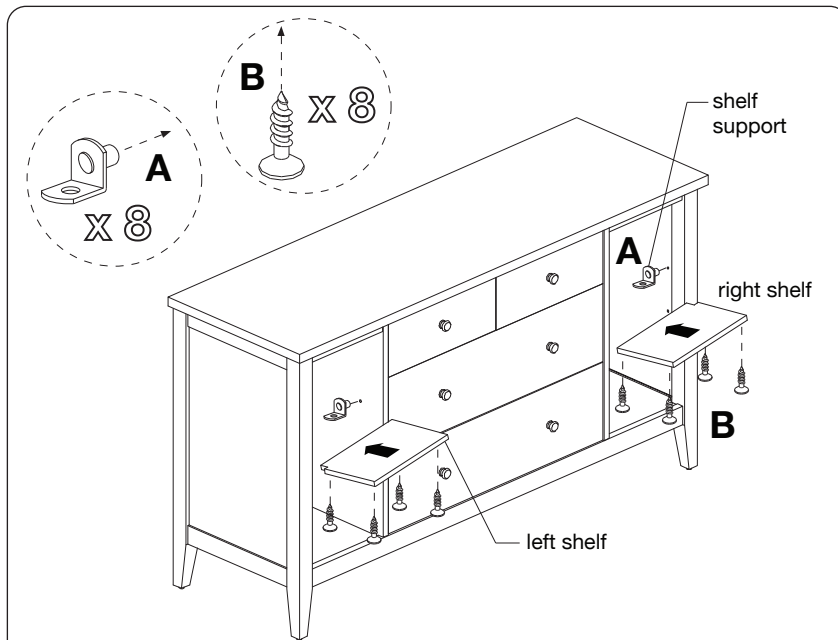
(We recommend the use of hand tools instead of power tools)

COMPONENTS



- A. Remove pre-attached bolts from *pull*. Set hardware aside and discard brackets.
- B. Position **pull** as shown and fasten with **bolts** from inside drawer. Secure, but do not over tighten bolts, using a screwdriver.

1



2

A. Insert 8 **shelf supports** at desired shelf heights as shown.
 B. Place **left and right shelves** onto **shelf supports** as shown. Make sure shelves are securely supported by each shelf support. Secure each **shelf support** to **left and right shelves** with 1 **screw** as shown using a screwdriver. Assembly is now complete.

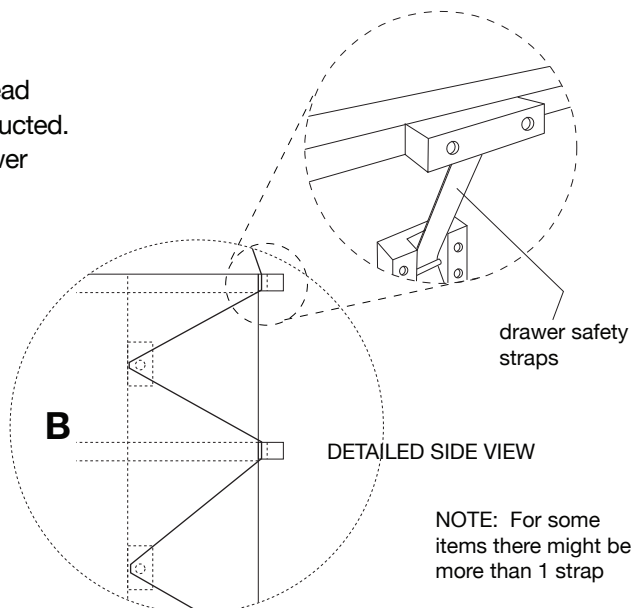
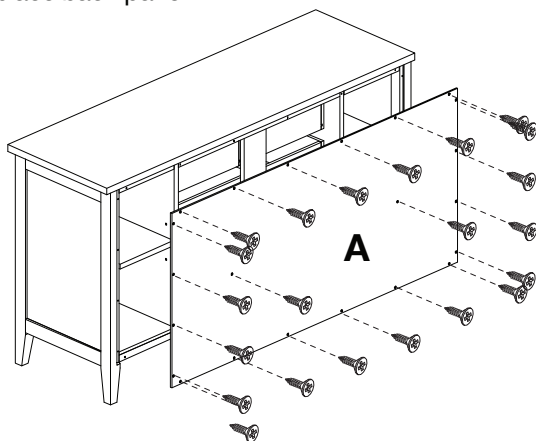
CLEANING AND CARE

Clean surfaces with a dry or damp soft cloth. Do not use abrasive cleaners. Do not use furniture wax or polish as the wood is finished with a protective clear lacquer.

METHOD TO REMOVE DRAWER SAFETY STRAPS

NOTE: As an added safety feature, there are straps attached to the backs of the drawers, so that no more than one drawer in each group can be opened at one time. If you would like to permanently disconnect this feature, please do the following:

- A. Remove pre-attached screws of back panel using a phillips head screwdriver. Set hardware and back panel aside until further instructed.
- B. Carefully cut strap and remove drawer safety straps from drawer assemblies as shown.
- C. Replace back panel.

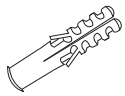


NOTE: For some items there might be more than 1 strap

! WARNING

Serious or fatal crushing injuries can occur from furniture tip over. Use of tip-over restraints may only reduce, but not eliminate, the risk of tip-over. To help prevent tip-over, install tip restraint per instructions below.

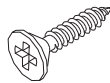
MOUNTING HARDWARE



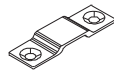
4 - plastic anchors



4 - small screws



4 - large screws



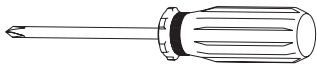
4 - mounting brackets



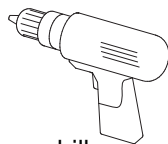
2 - wall straps

Missing hardware? Please call 800.933.9904 for replacements. NOTE: Contains small parts. Keep away from small children.

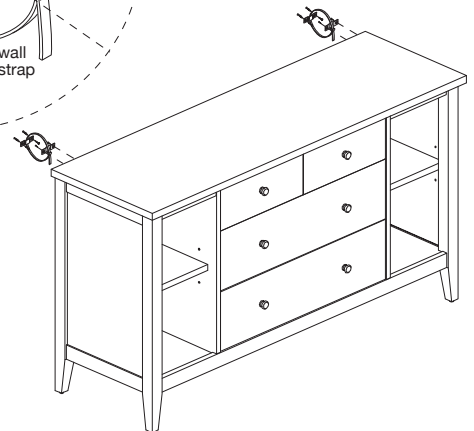
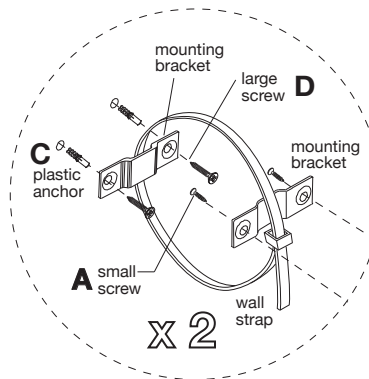
TOOLS REQUIRED



phillips head screwdriver



power drill
(for pilot holes only)



WALL MOUNTING ASSEMBLY

For added safety and stability, it is recommended that the wall mounting hardware be installed. For safe mounting, it is essential to use wall anchors appropriate to your wall type (i.e. plaster, drywall, concrete, etc.). Mount to wood studs whenever possible.

- A) Attach **mounting bracket** to top center of unit using 2 **small screws**.
- B) Determine the final location of unit. Mark position on the wall, approximately 2" below the mounting bracket mounted to the back of the unit.
- C) Drill a hole in the wall stud. If the wall stud is not available, drill a hole in the wall that is slightly smaller in diameter than the anchor. Gently tap the **plastic anchor** until the flange of the anchor is flush with the wall.
- D) Attach the **mounting bracket** to the wall by inserting 2 **large screws** through the mounting bracket and into the wall anchor in the wall.
- E) Place the unit so the mounting bracket on the back edge is allowed with the wall bracket.
- F) Lace one end of the **wall strap** through both brackets, and into the other end of the strap.
- G) Pull the strap tightly until secure.

Repeat step A-G for remaining wall mounting assembly.

NOTE: If you are unsure about your wall type or what mounting method you should use, consult a qualified professional.

Wall mounting assembly is now complete.