

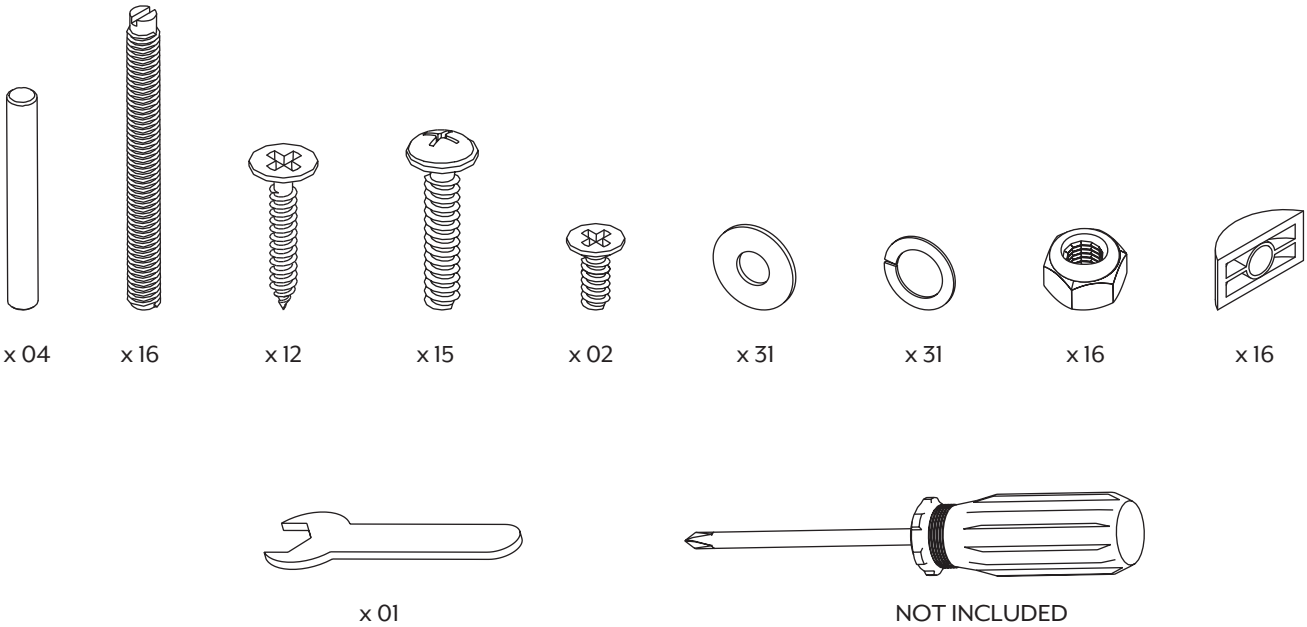
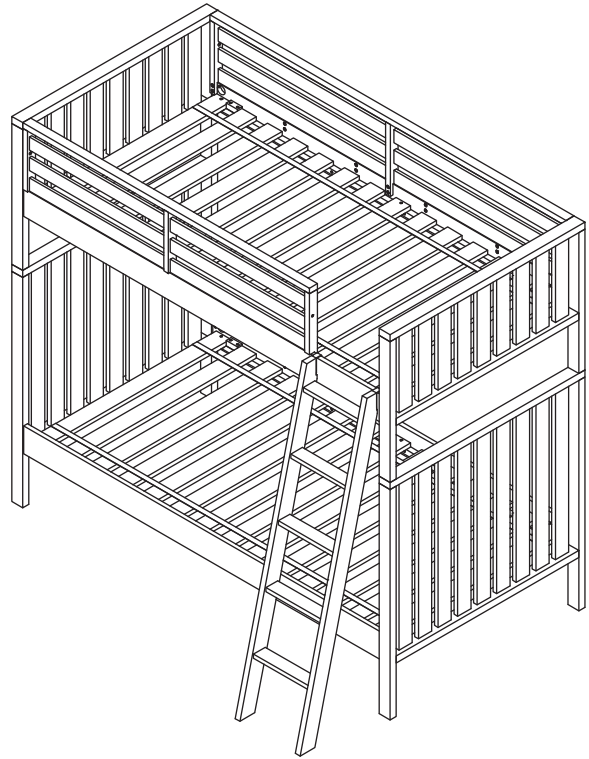
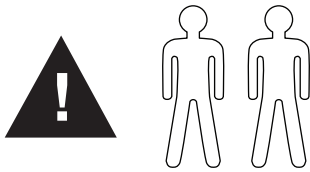


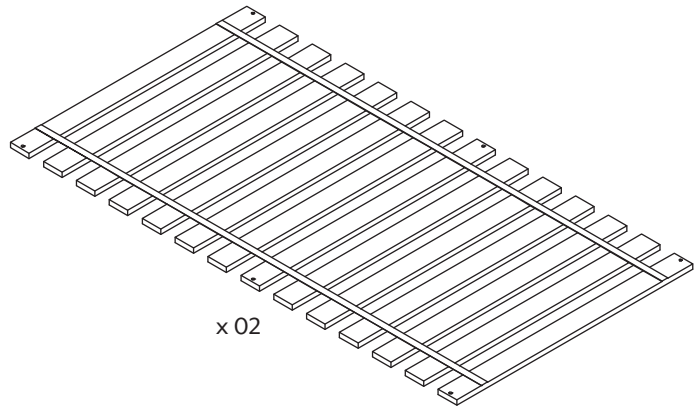
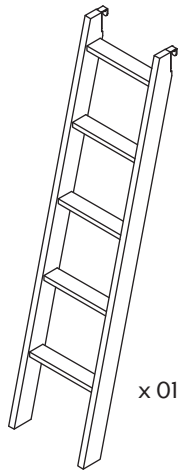
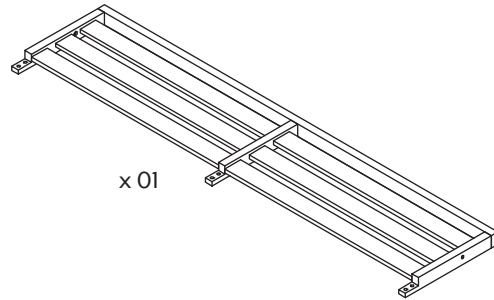
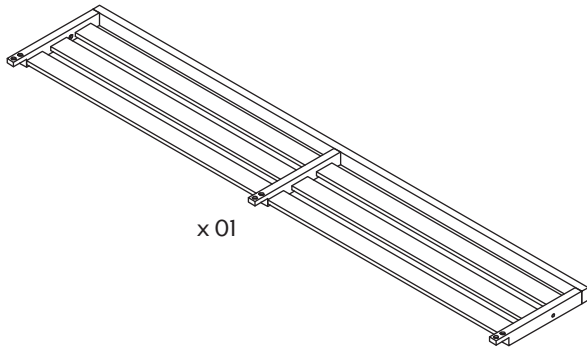
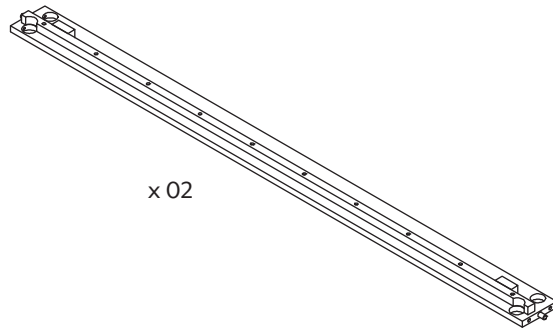
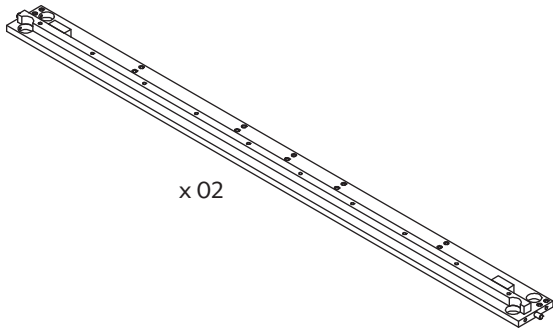
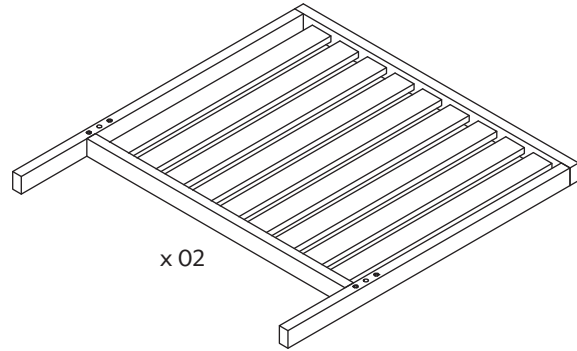
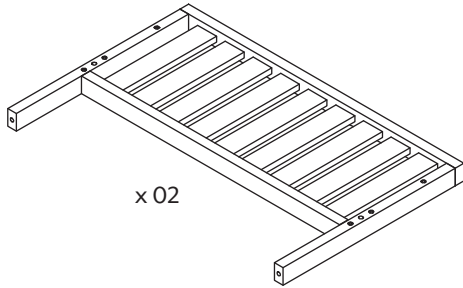
WARNING

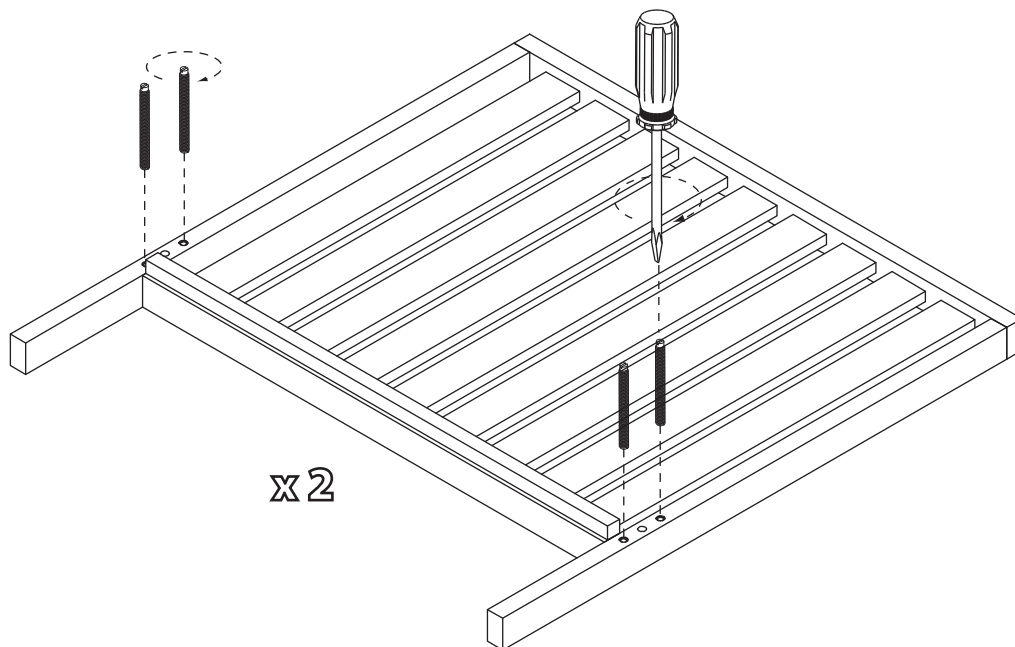
- **STRANGULATION HAZARD** - Never attach or hang items to any part of the bunk bed that are not designed for use with the bed; for example, but not limited to, hooks, belts and jump ropes.
- Do not suspend strings over a bed for any reason.
- Always use guardrails on both long sides of the upper bunk. If the bunk bed will be placed next to the wall, the guardrail that runs the full length of the bed should be placed against the wall to prevent entrapment between the bed and wall.
- Do not allow children under 6 years of age to use the upper bunk.
- Do not allow more than one person on upper bunk at a time.
- Always use the ladder for entering and leaving the upper bunk.
- Use of night light may provide added safety precautions for a child using the upper bunk.
- Do not allow horseplay on or under the bed and prohibit jumping on the bed.
- Always use the recommended size mattress or mattress support, or both, to help prevent the likelihood of entrapment or falls.
- The intended mattress dimensions for the upper bunk are as follows:
 - Use only a twin size mattress, which is 74" – 75" long and 37 ½" – 38 ½" wide on the upper bunk
 - Ensure thickness of mattress does not exceed 9" and the mattress is at least 5" below upper edge of guardrails.
- The use of water or sleep flotation mattresses is prohibited.
- Do not use substitute parts. Contact the Land of Nod® for replacement parts, hardware or additional guardrails.
- Follow the information on the warnings appearing on the upper bunk end structure and on the carton. Do not remove warning label from bed.
- Periodically check and ensure that the guardrail, ladder and other components are in their proper position, free from damage, and that all connectors are tight.
- Keep these instructions for future reference.

This page lists the contents included in the box. Please take time to identify the hardware as well as the individual components of the product. As you unpack and prepare for assembly, place the contents on a carpeted or padded area to protect them from damage. Please follow the assembly instructions closely. Improper assembly can result in personal or property damage.

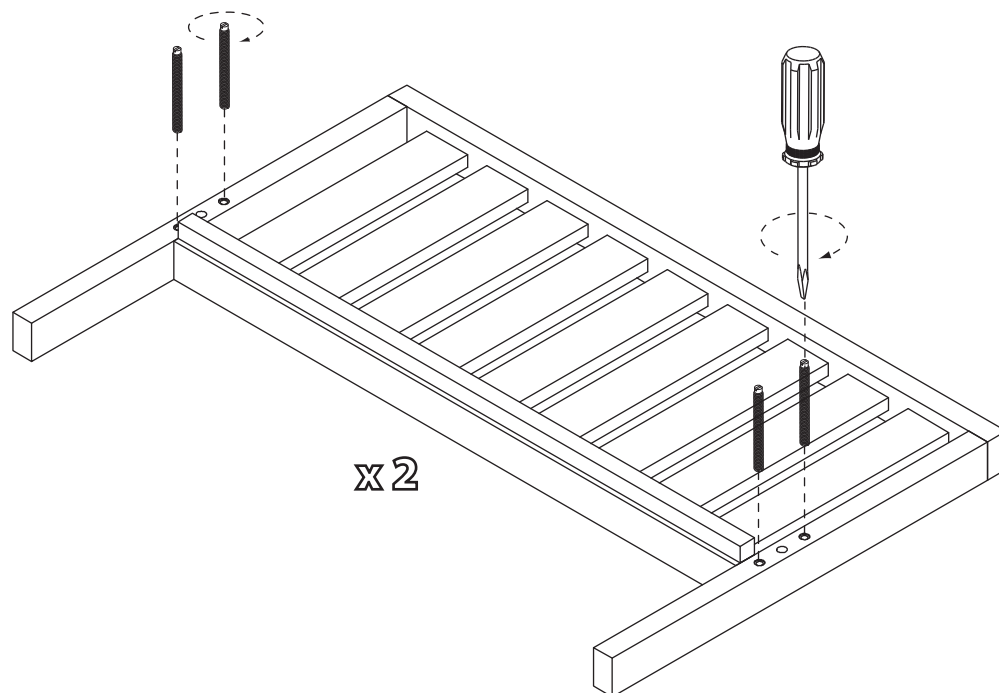
Note: 2 adults are required to safely assemble this product.



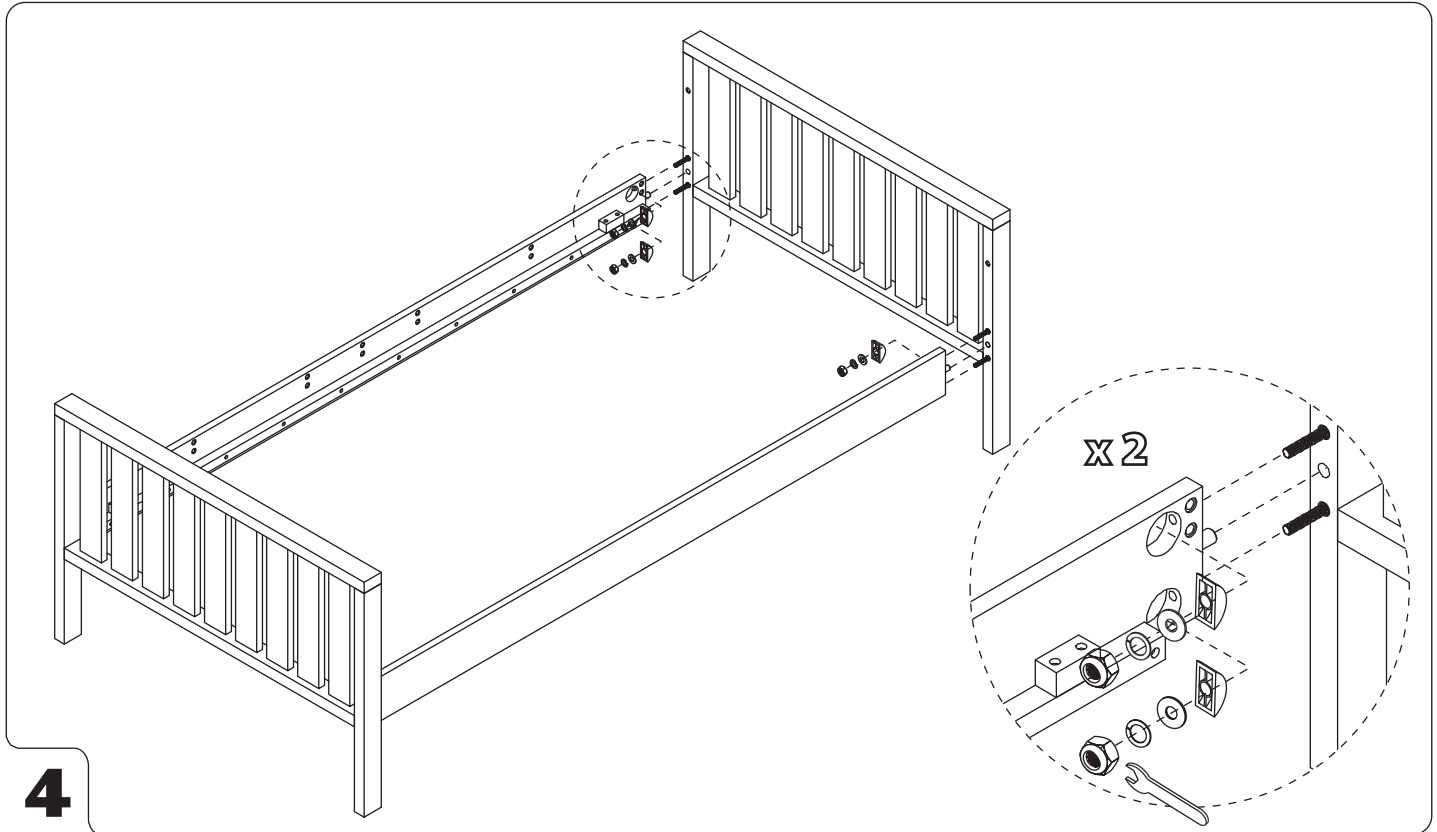
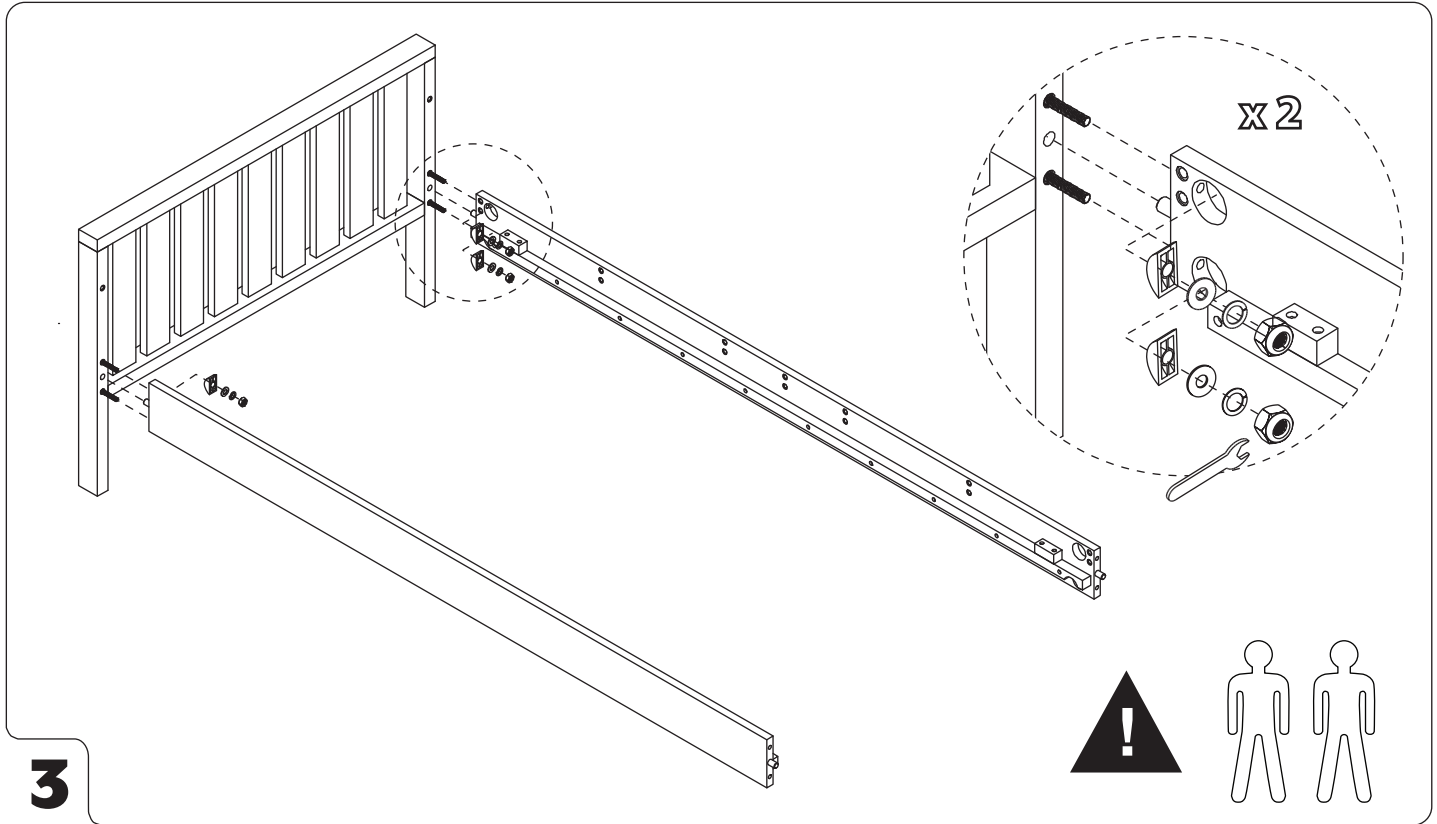


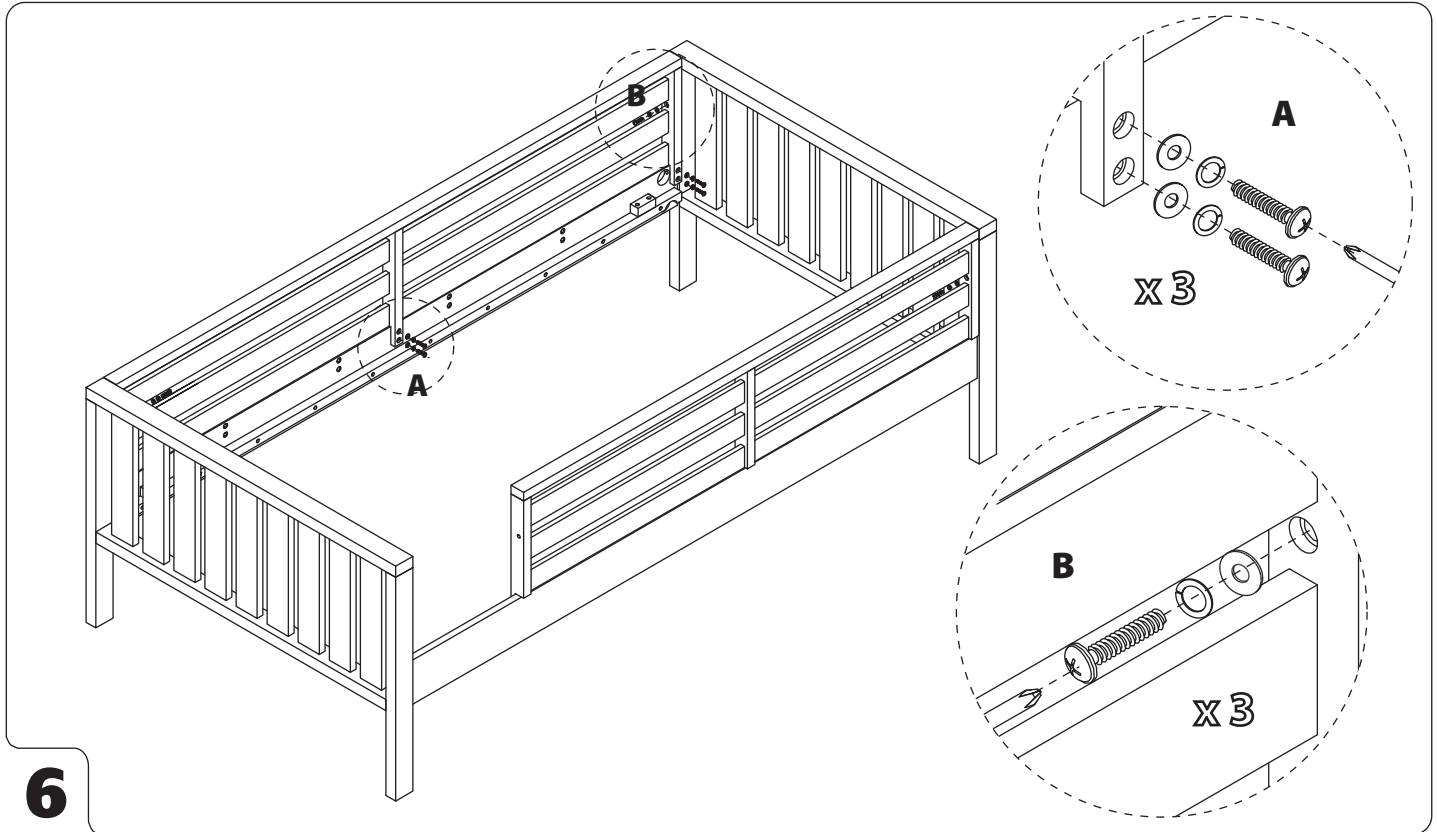
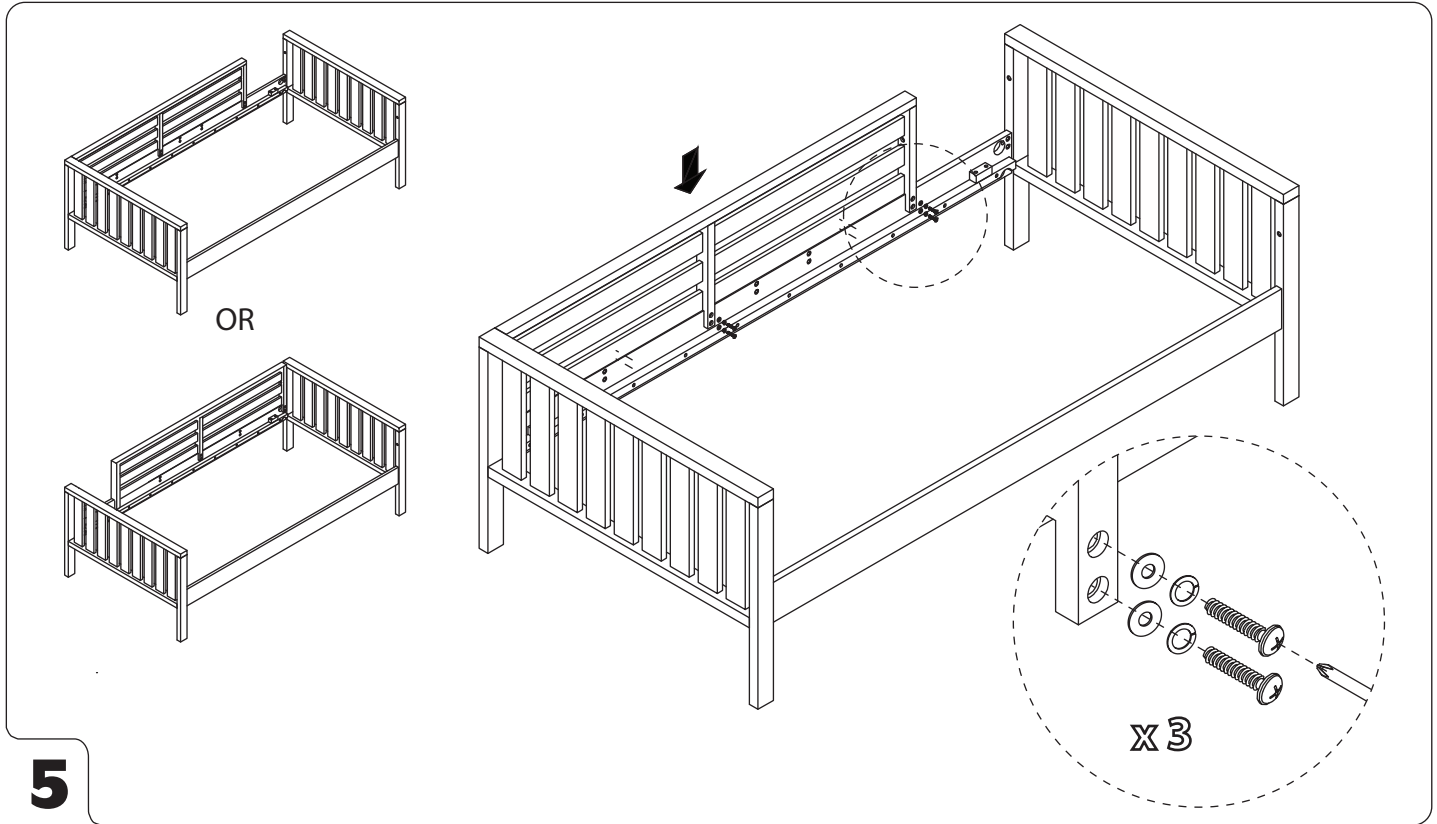


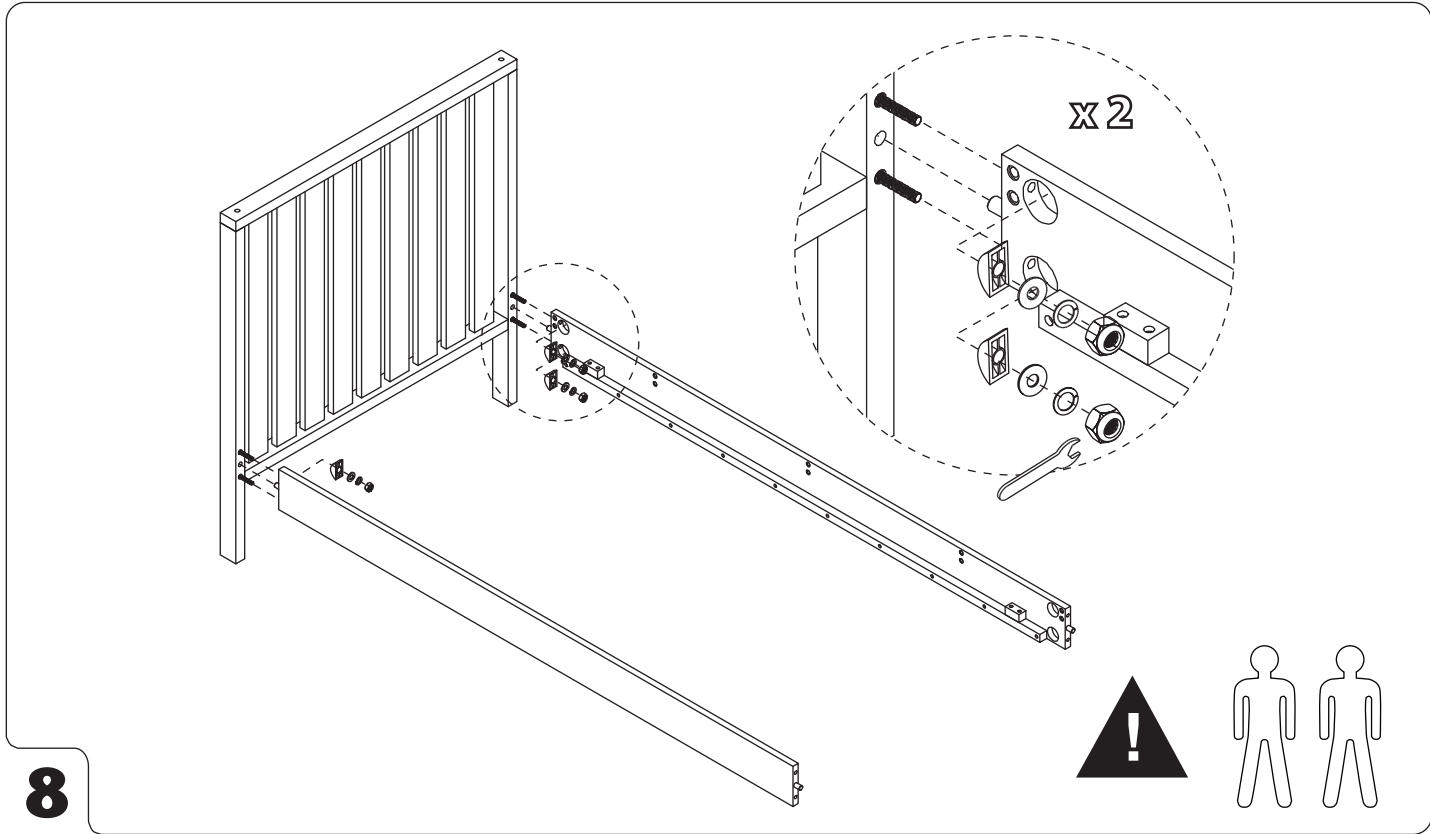
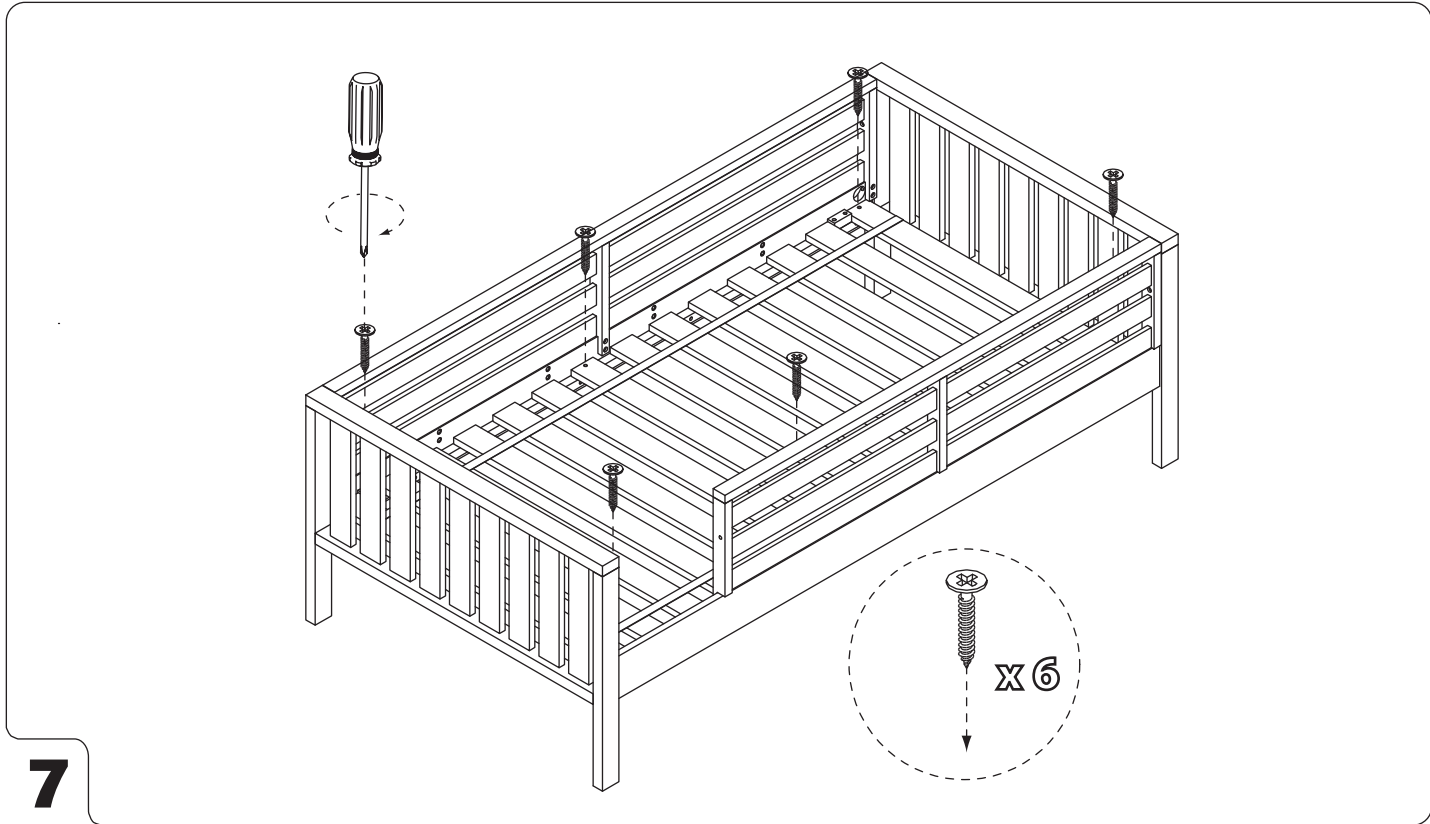
1

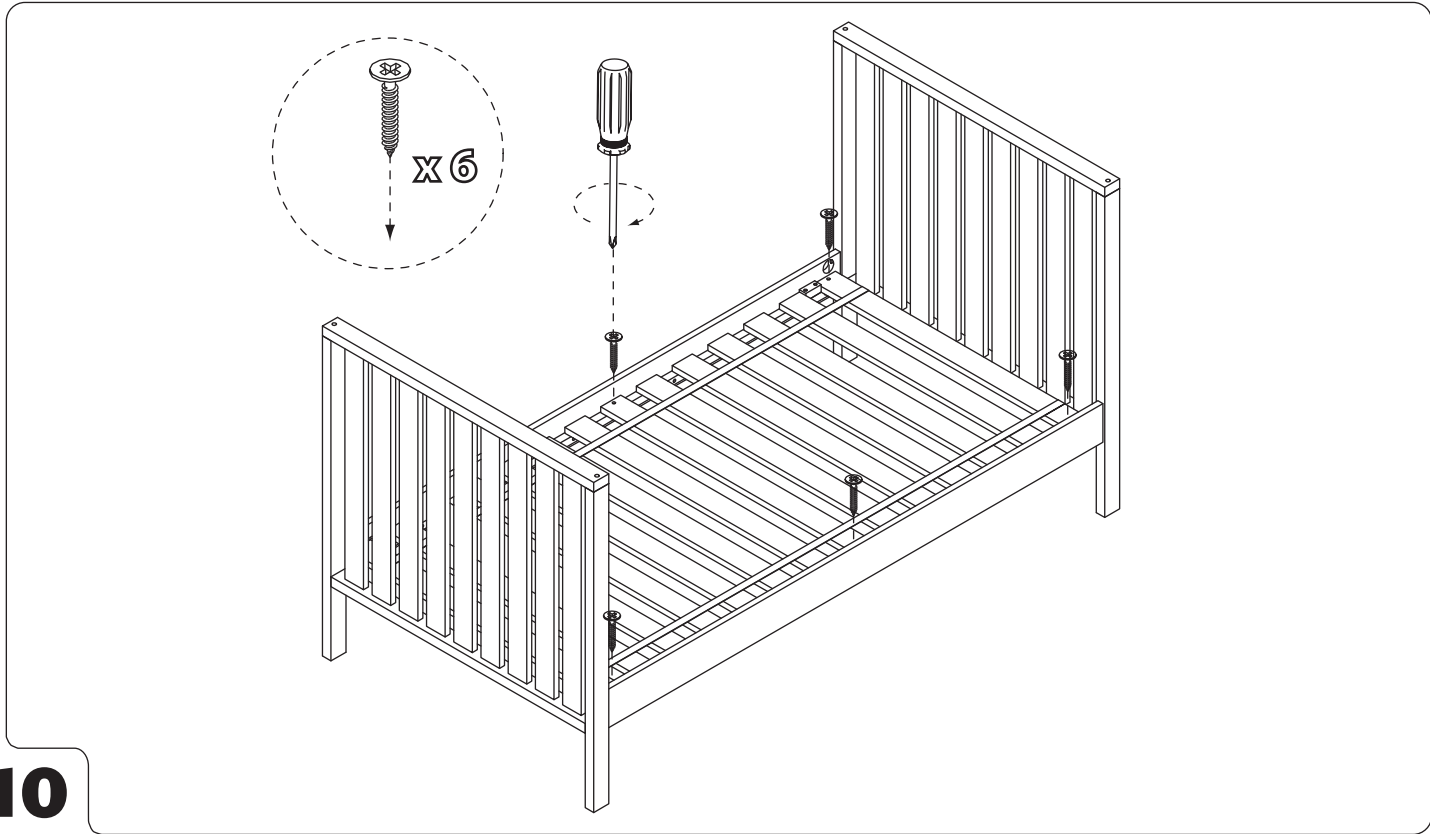
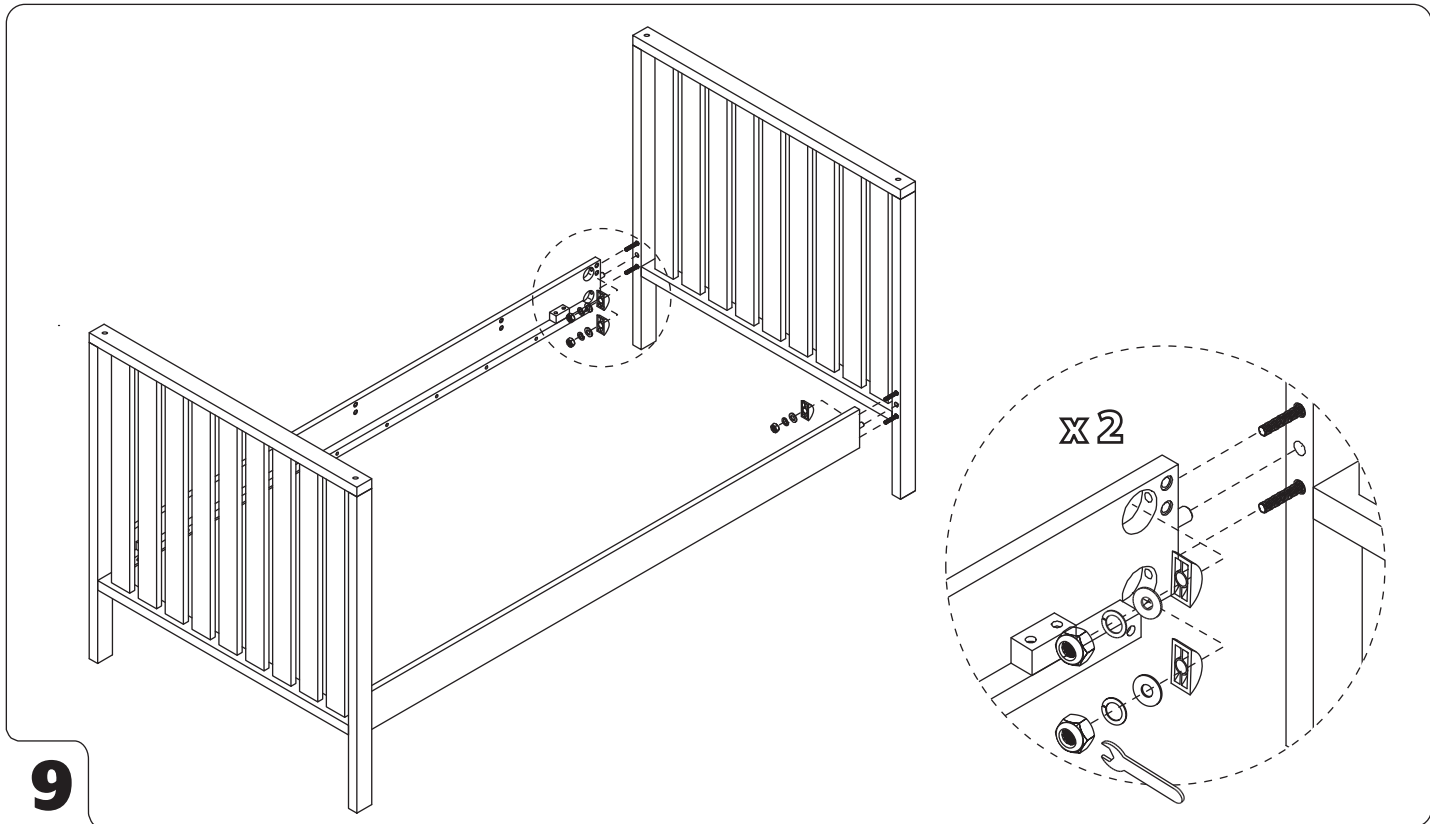


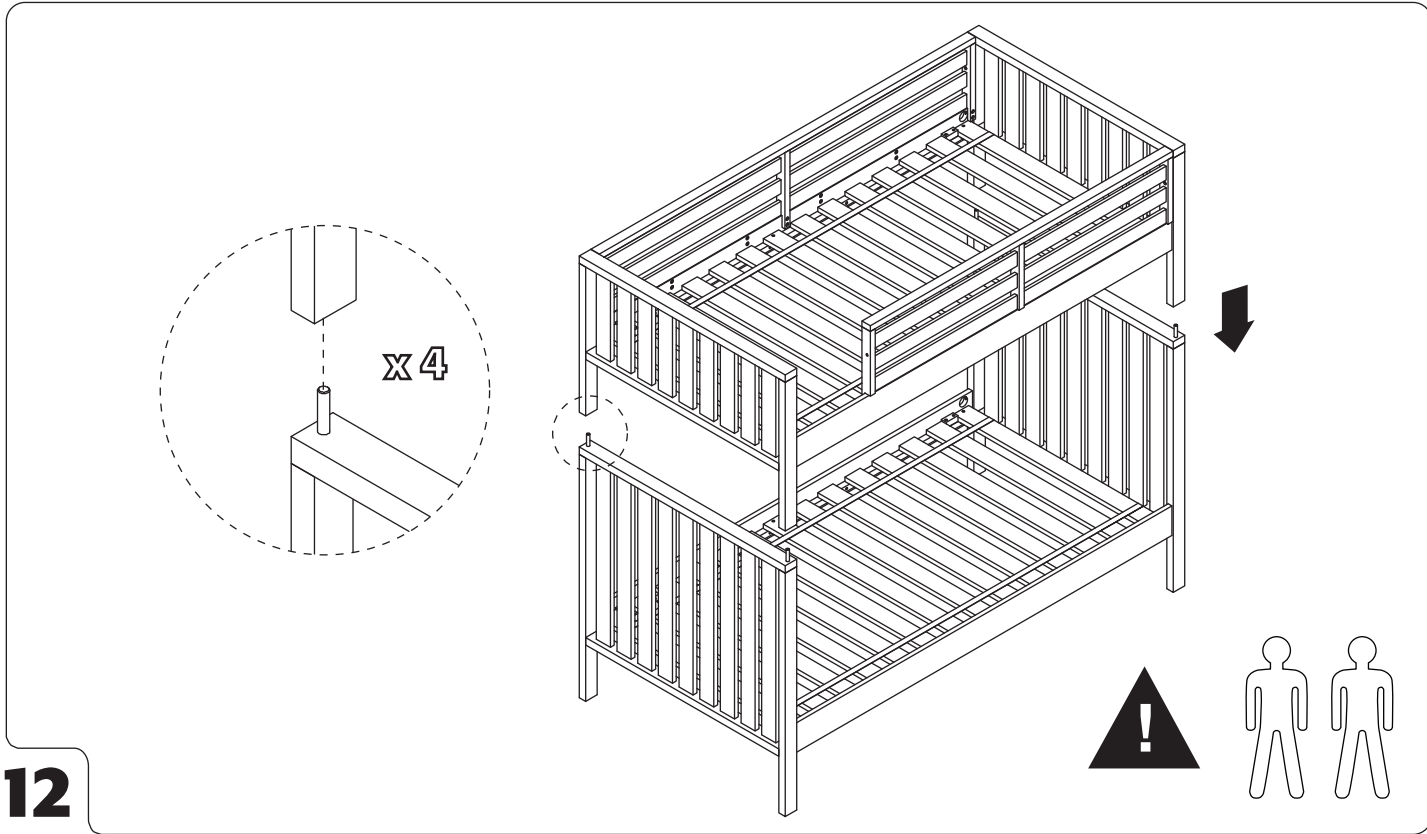
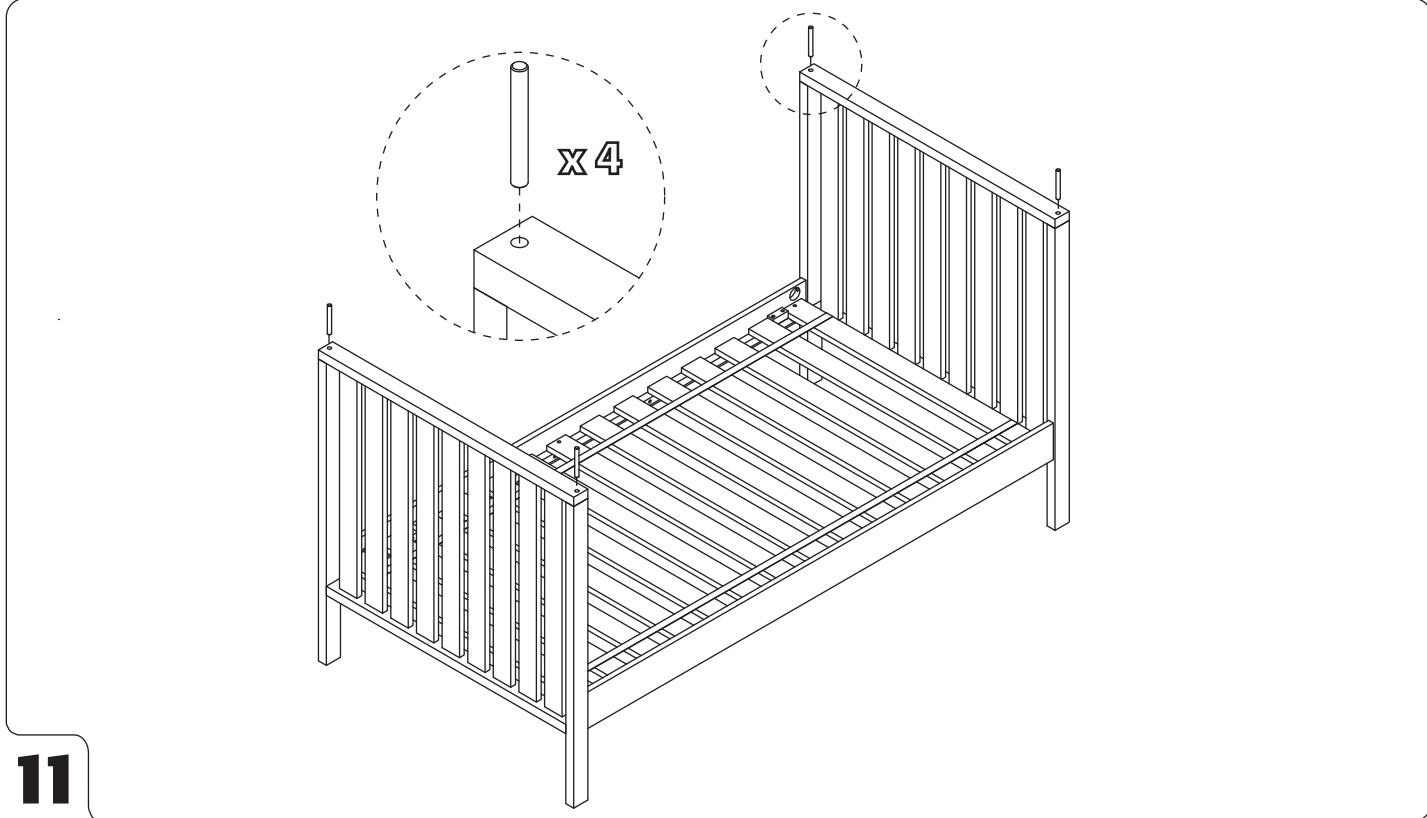
2

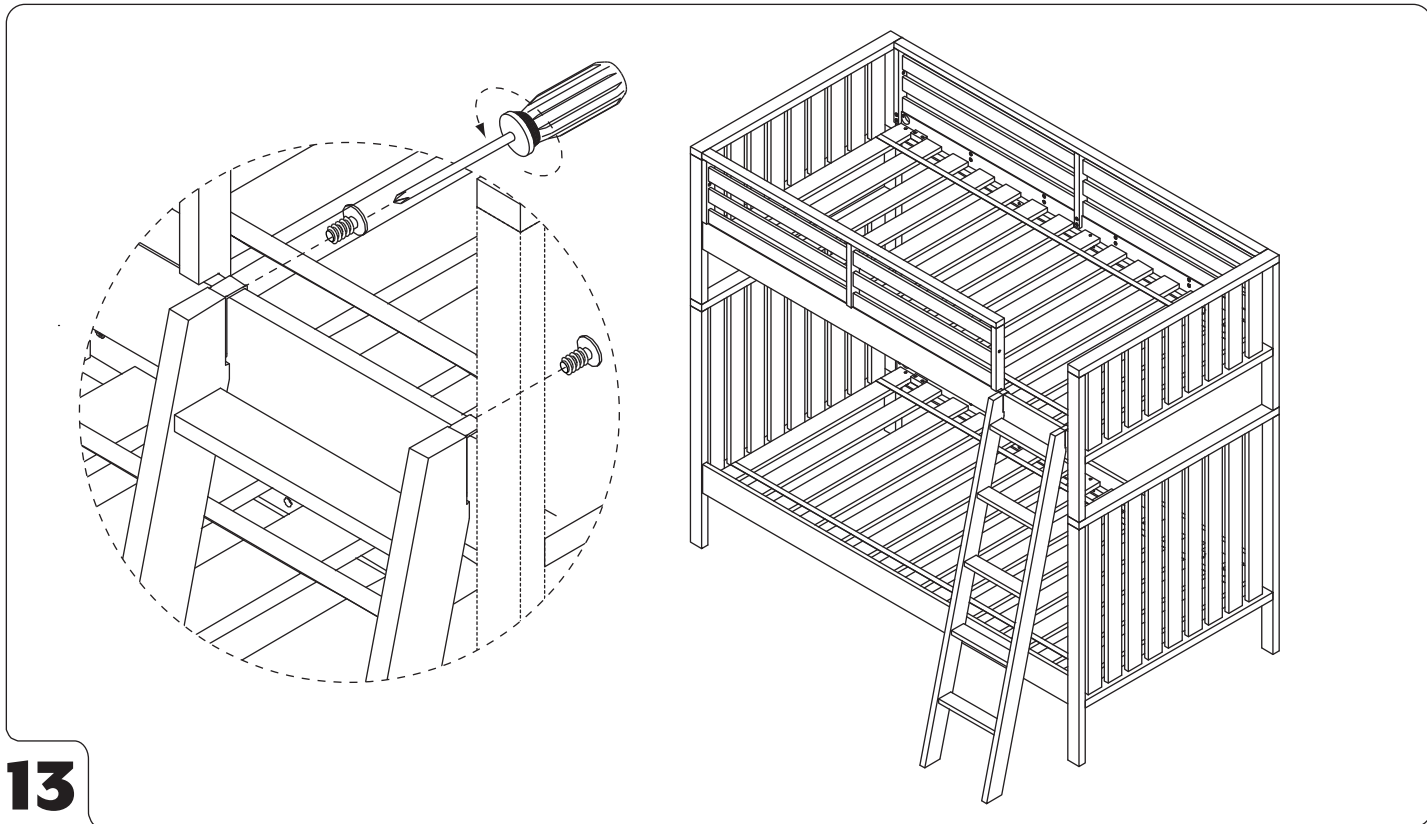












13

CLEANING AND CARE:

Clean surfaces with a dry or damp soft cloth. Do not use abrasive cleaners.

NETTOYAGE ET ENTRETIEN:

Nettoyer le meuble avec un chiffon doux, sec ou humide. Ne pas utiliser de nettoyeurs abrasifs.