



WARNING

- Do not place near windows where cords from blinds or drapes may strangle a child.
- Do not place items with a string, cord or ribbon around a child's neck, such as hood strings or pacifier cords.
- Do not suspend strings over a bed for any reason.
- The intended mattress dimension on the bed are as follows: 71”L x 38”W x 5”H

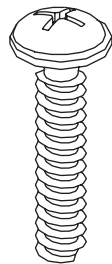
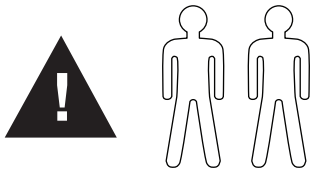
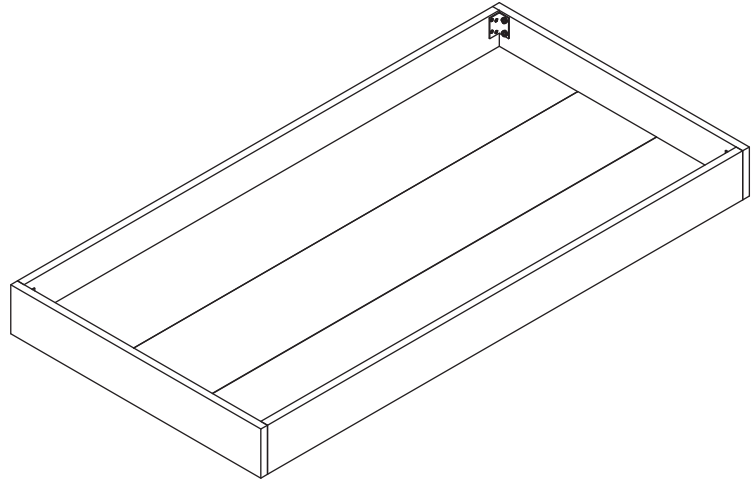


MISE EN GARDE

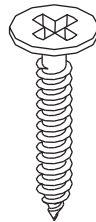
- Ne pas mettre le lit près d'une fenêtre, afin d'éviter les risques d'étranglement avec les cordons de rideaux ou de stores.
- Ne pas laisser autour du cou de l'enfant des objets munis de ficelles, cordons, ou rubans, tels des cordons de capuches ou de sucettes.
- Ne suspendre en aucune façon des ficelles au-dessus du lit.
- Les dimensions du matelas adéquat sont les suivantes: 71”L x 38”W x 5”H

This page lists the contents included in the box. Please take time to identify the hardware as well as the individual components of the product. As you unpack and prepare for assembly, place the contents on a carpeted or padded area to protect them from damage. Please follow the assembly instructions closely. Improper assembly can result in personal or property damage.

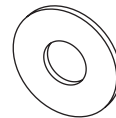
Note: 2 adults are required to safely assemble this product.



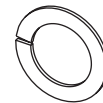
x 16



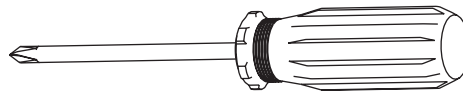
x 06



x 16



x 16



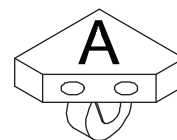
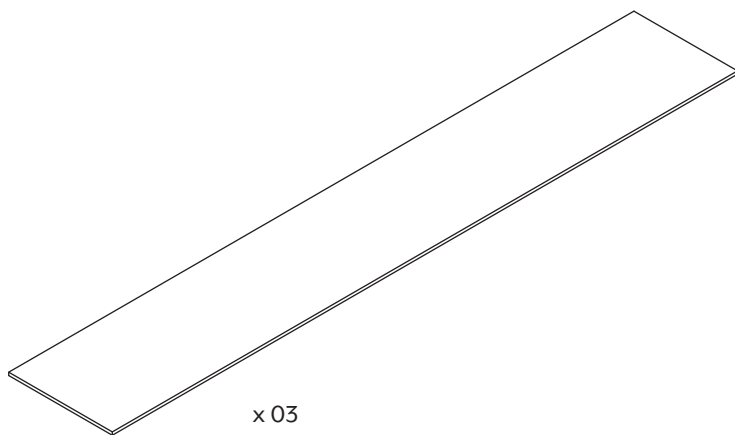
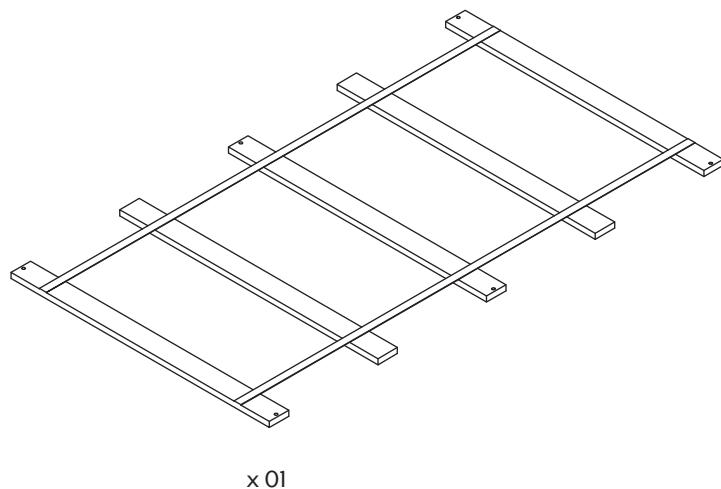
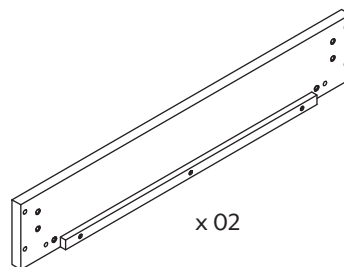
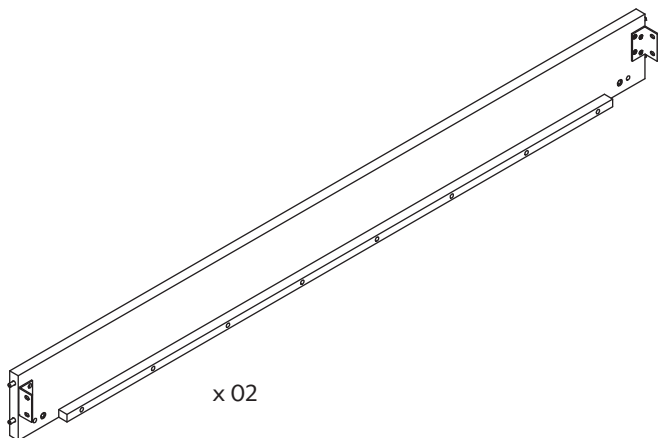
NOT INCLUDED

CLEANING AND CARE:

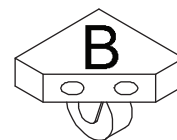
Clean surfaces with a dry or damp soft cloth. Do not use abrasive cleaners.

NETTOYAGE ET ENTRETIEN:

Nettoyer le meuble avec un chiffon doux, sec ou humide. Ne pas utiliser de nettoyeurs abrasifs.



x 02



x 02

