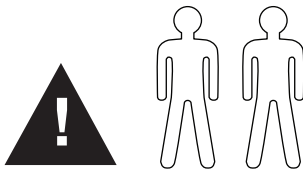
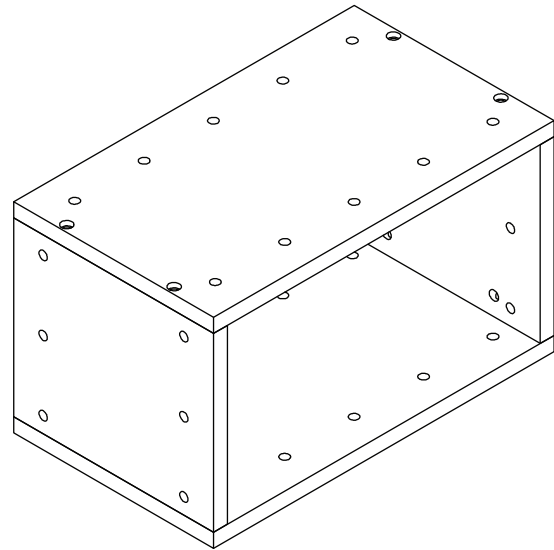


This page lists the contents included in the box. Please take time to identify the hardware as well as the individual components of the product. As you unpack and prepare for assembly, place the contents on a carpeted or padded area to protect them from damage. Please follow the assembly instructions closely. Improper assembly can result in personal or property damage. **Note: 2 adults are required to safely assemble this product.**



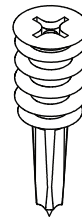
x 08



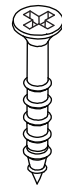
x 08



x 04



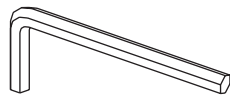
x 04



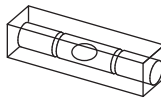
x 04



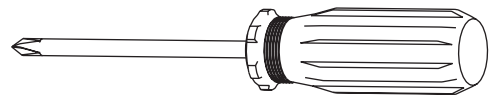
x 04



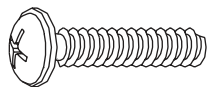
x 01



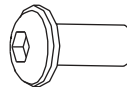
NOT INCLUDED



NOT INCLUDED



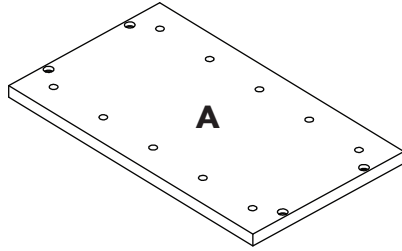
x 02



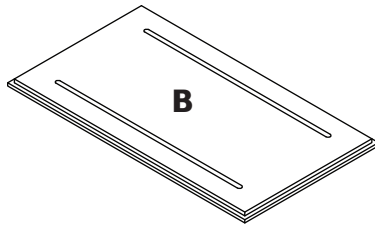
x 02

**CLEANING AND CARE**

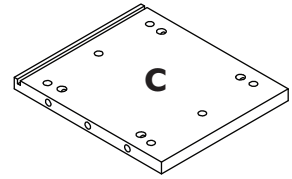
Clean surfaces with a dry or damp soft cloth. Do not use abrasive cleaners. Periodically check and tighten hardware as necessary.



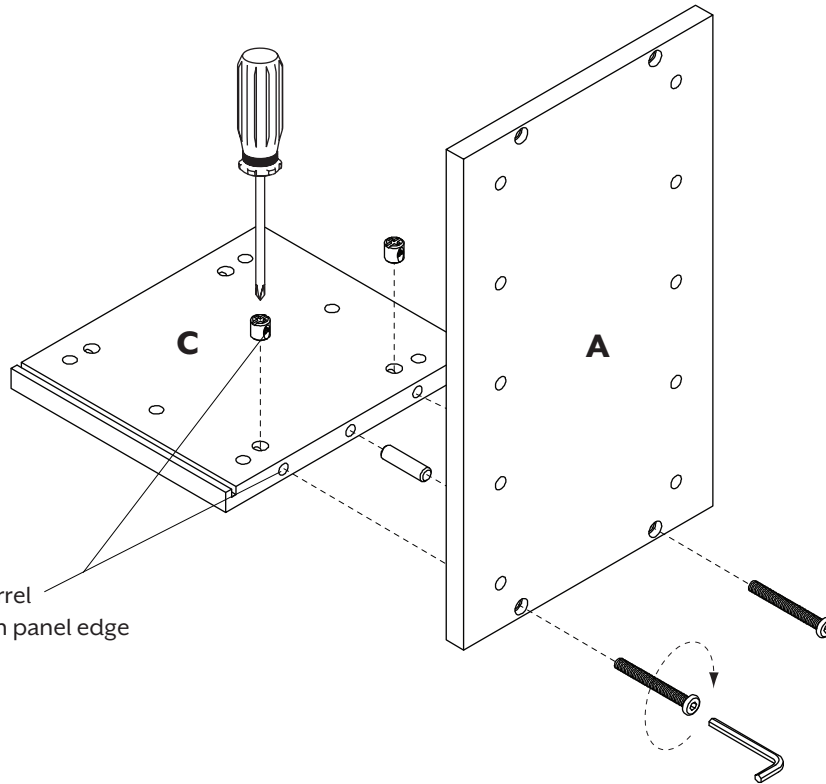
x 02



x 01

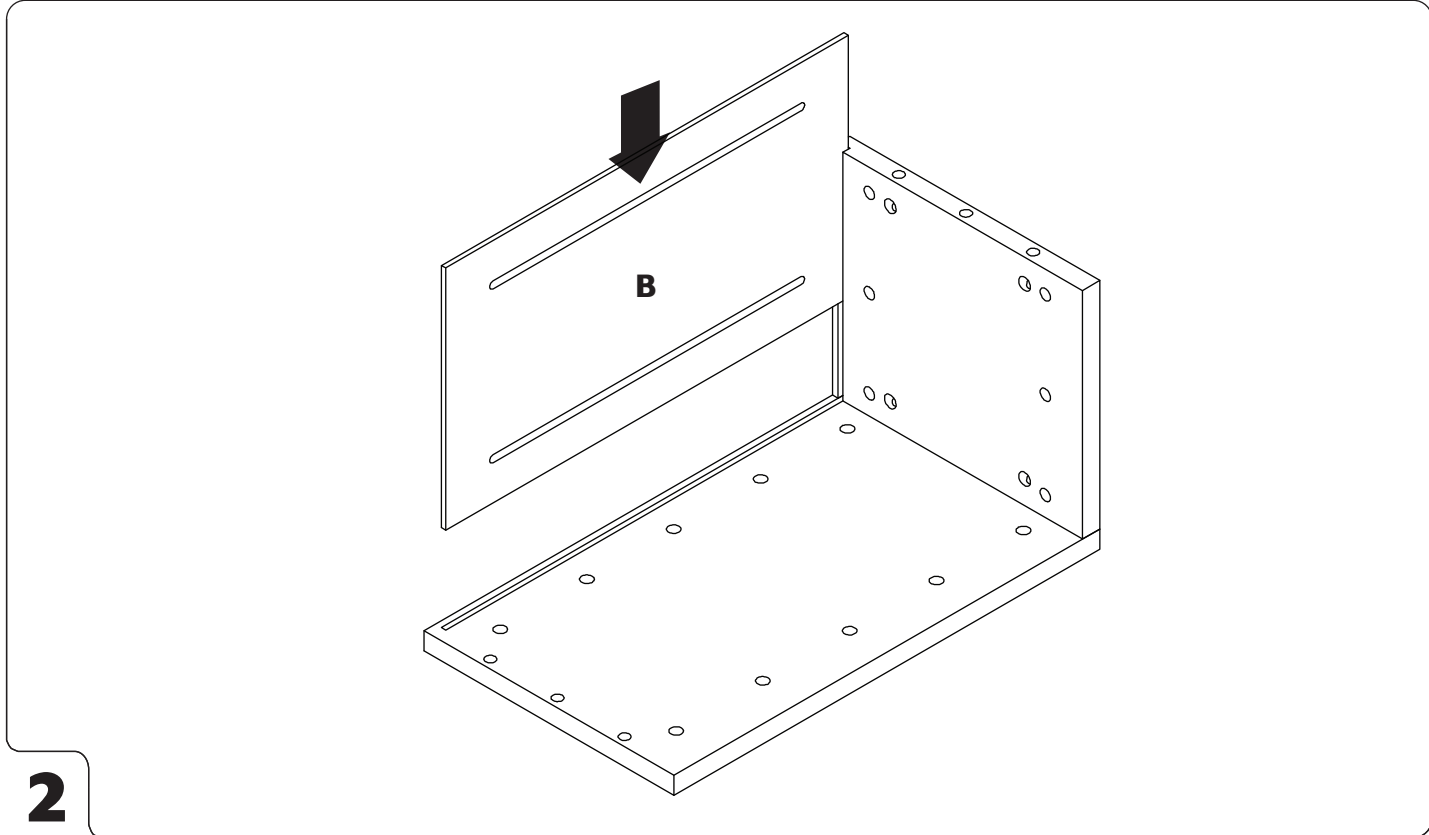


x 02

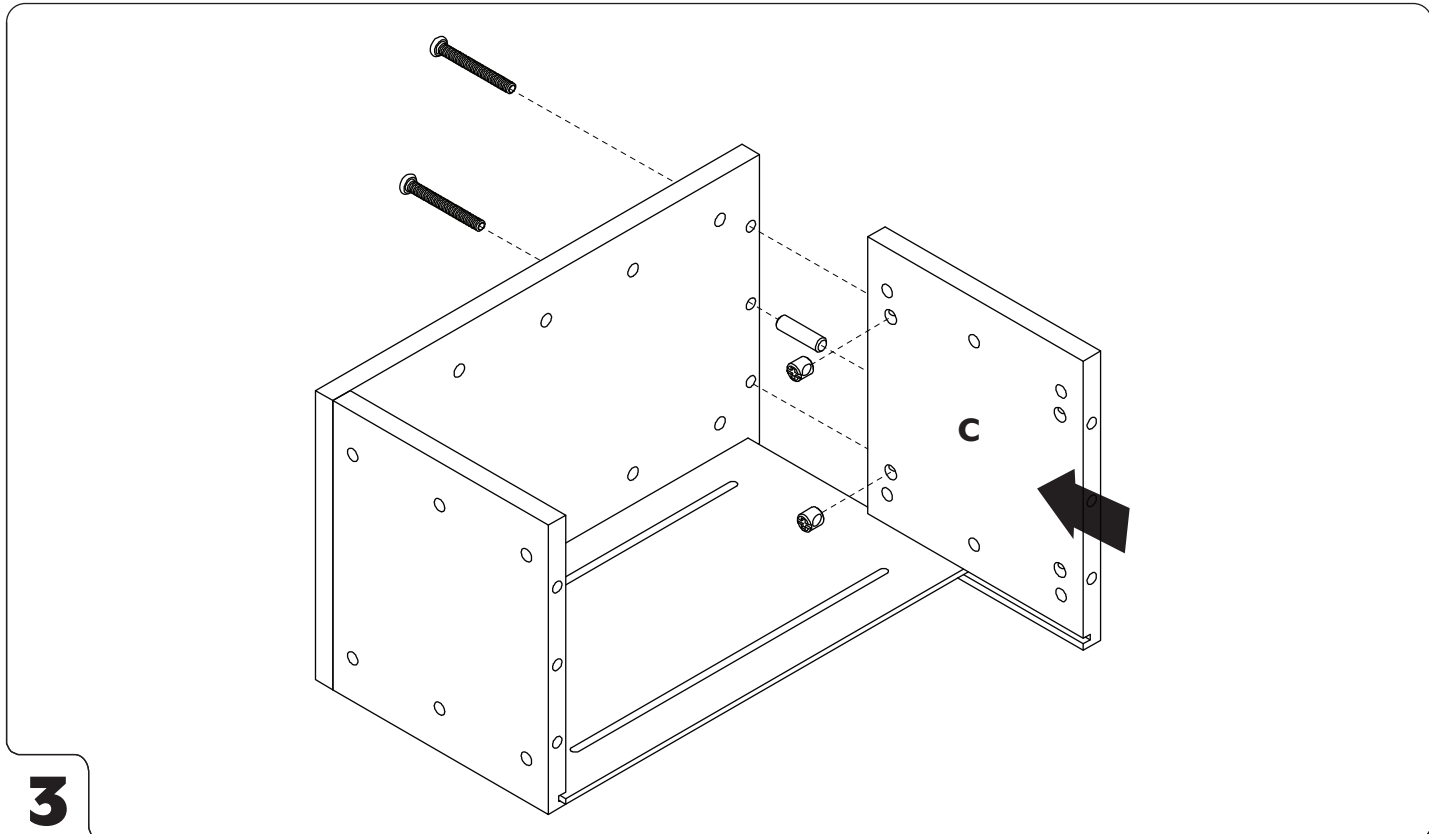


**!** Align hole in barrel nut with hole on panel edge

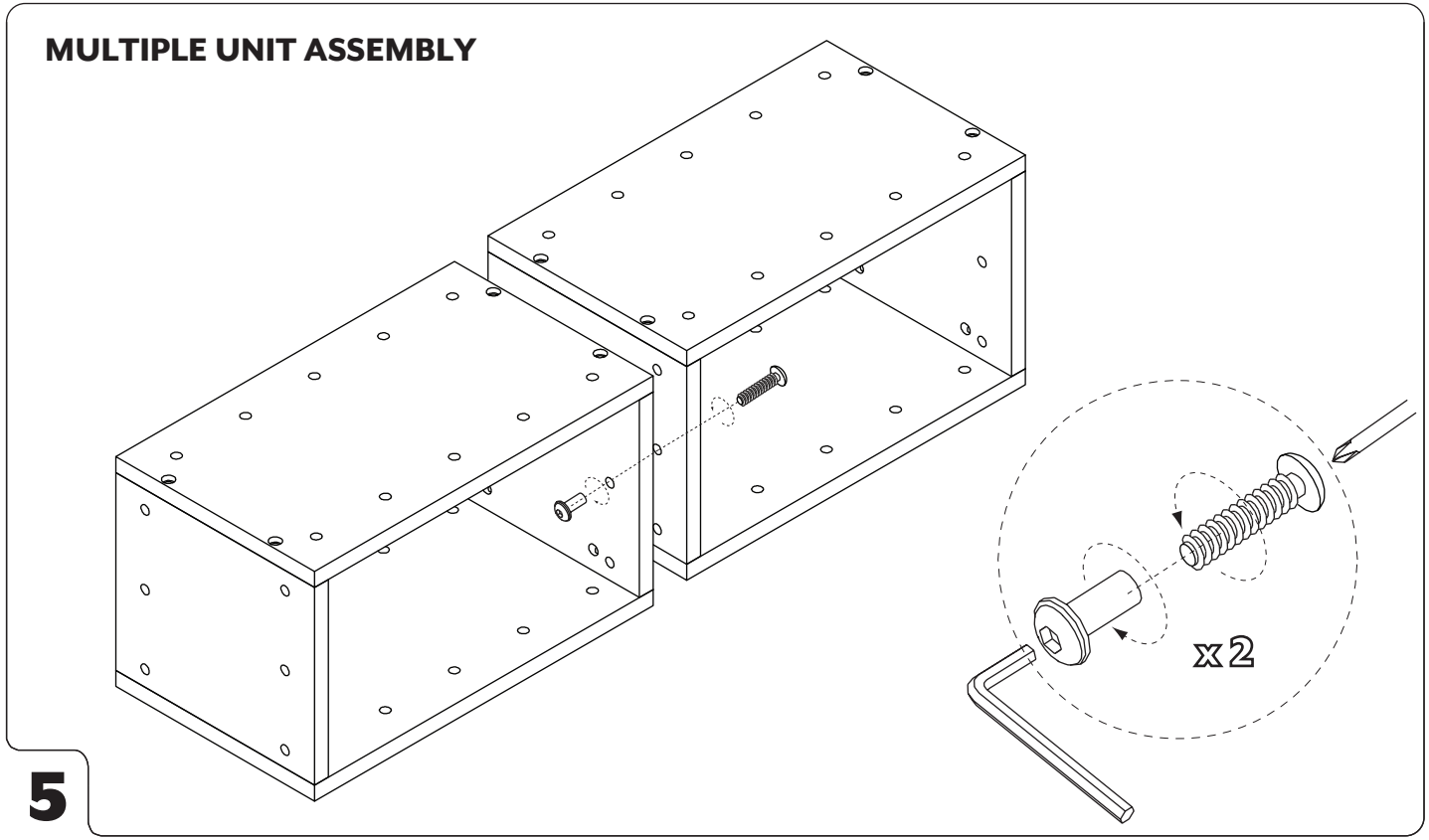
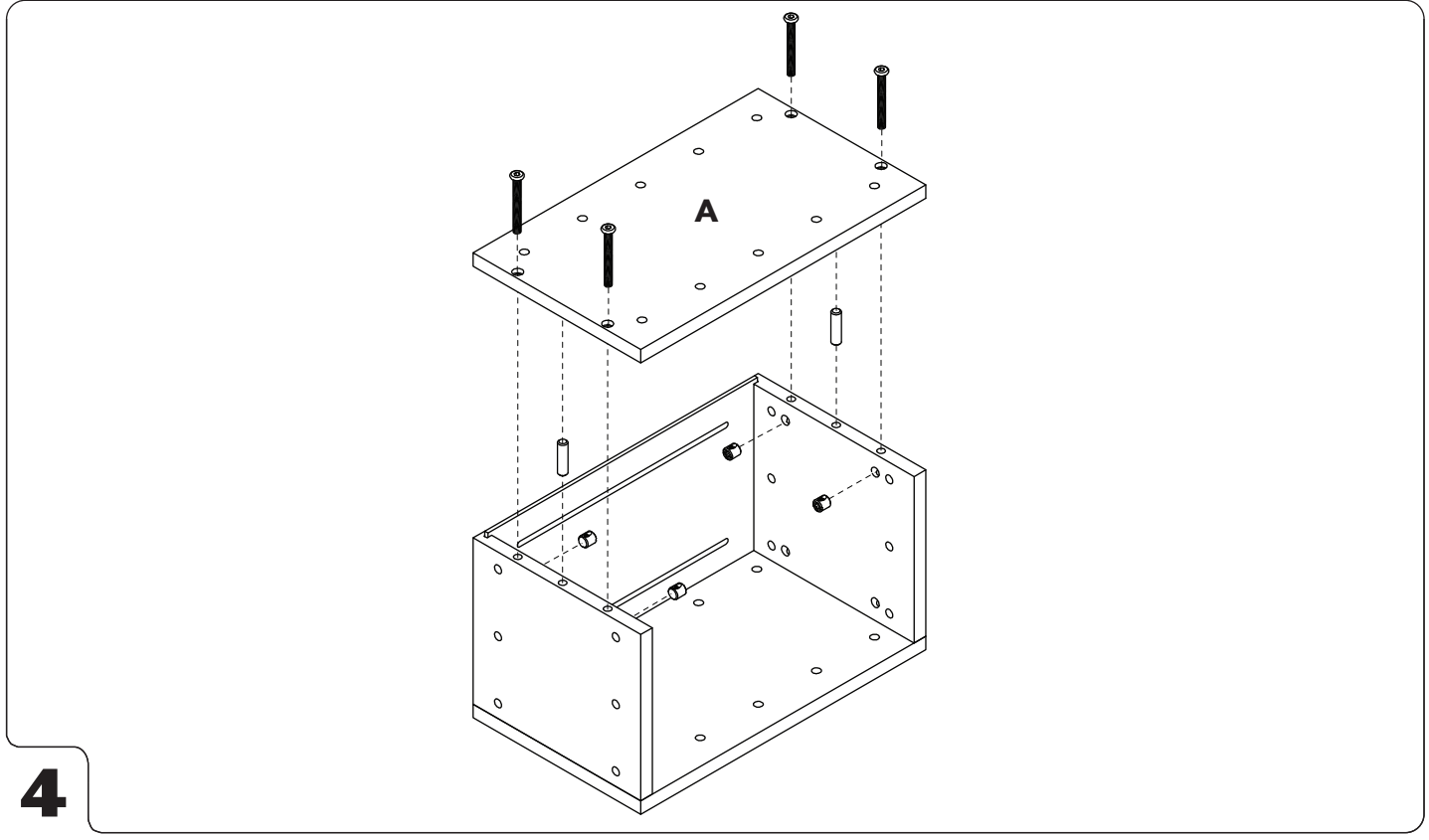
**1**

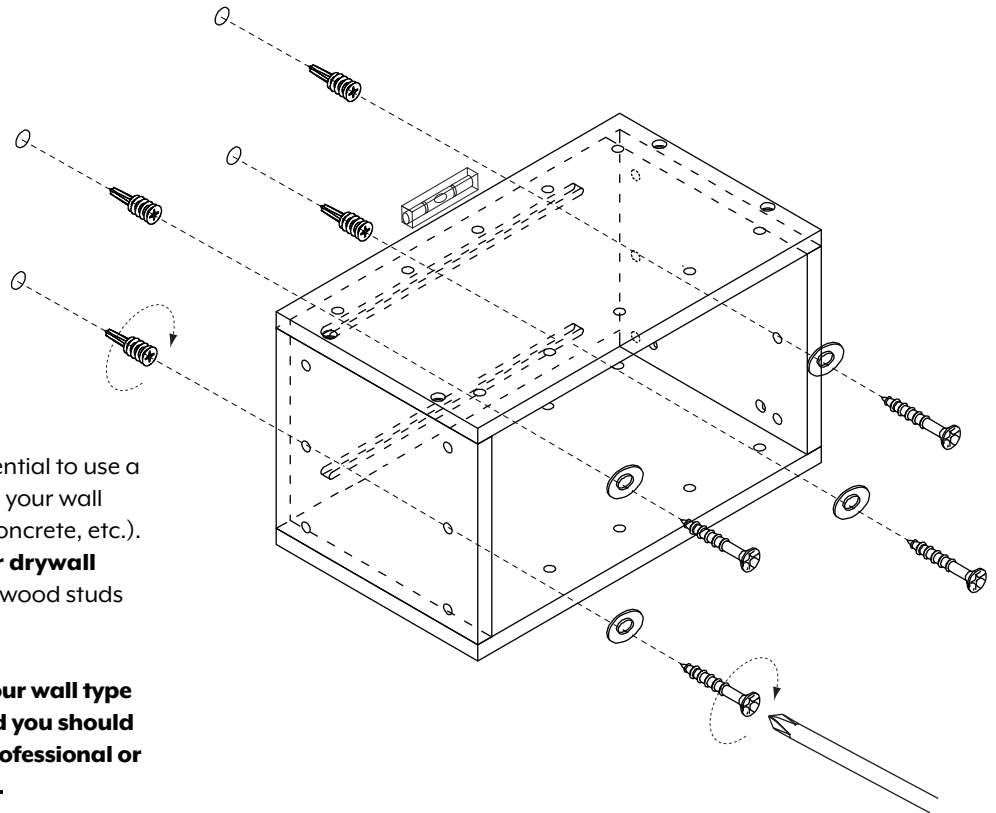


**2**



**3**





For safe mounting, it is essential to use a wall anchor appropriate to your wall type (i.e. plaster, drywall, concrete, etc.). **These instructions are for drywall mounting only.** Mount to wood studs whenever possible.

**If you are unsure about your wall type or what mounting method you should use, consult a qualified professional or your local hardware store.**

**6**

### IMPORTANT MOUNTING INSTRUCTIONS

- When using Cubby wall shelves individually always secure to the wall as instructed.
- When suspending smaller Cubby wall shelves from larger Cubby wall shelves, always secure the larger Cubby shelves to the wall, and secure the smaller Cubby shelves to the wall where possible.
- Note that the weight of the small shelves and items placed on small shelves should be accounted for in the weight limit of the larger shelves.
- Do not hang the Cubby wall shelves with the openings facing upwards.