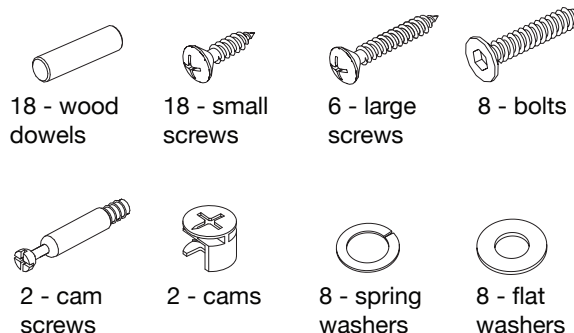


Thank you for purchasing the **3 Cube Bench**. This page lists all the contents included in the box. Please take the time to identify the hardware as well as the individual components to this product. As you unpack and prepare for assembly, place the contents on a carpeted or padded area to protect them from damage.

Note: 2 people are required to safely assemble this product.

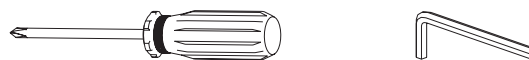
### HARDWARE



Missing hardware? Please call **800.933.9904** for replacements.  
NOTE: Contains small parts. Keep away from small children.

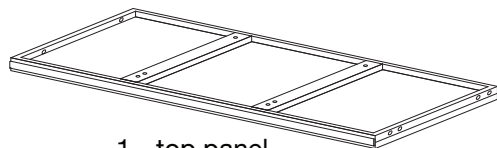
**! WARNING: Adult Assembly Required**

### TOOLS REQUIRED

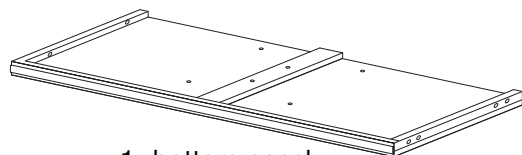


phillips head screwdriver    allen wrench (included)  
(We recommend the use of hand tools instead of power tools)

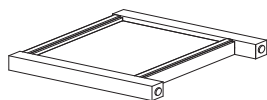
### COMPONENTS



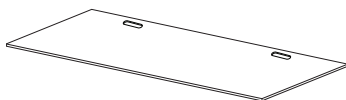
1 - top panel



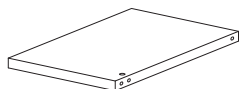
1 - bottom panel



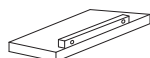
2 - side panels  
(1 left, 1 right)



1 - back panel

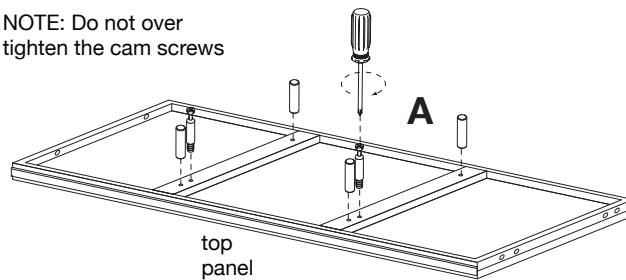


2 - partitions

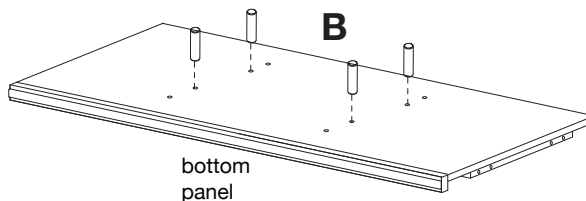


1 - support

NOTE: Do not over tighten the cam screws



top panel

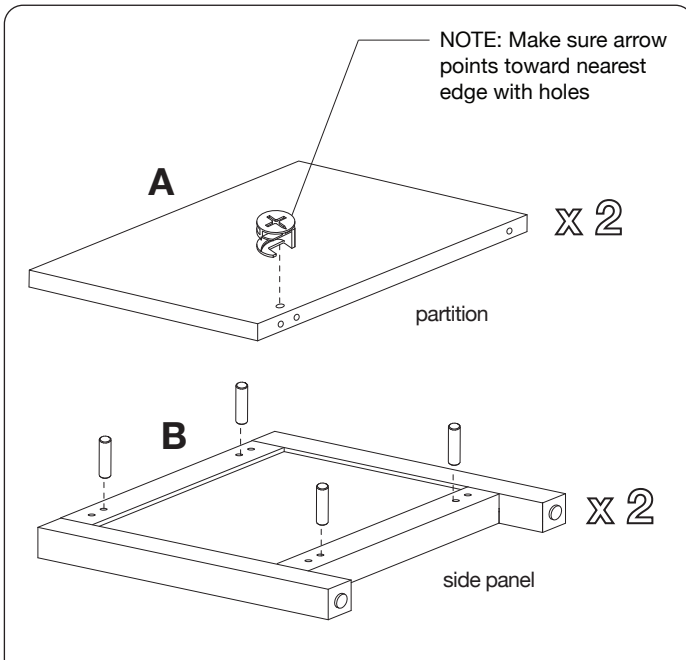


bottom panel

A. With the assistance of another adult, place **top and bottom panel** onto a clean, padded surface as shown. Insert 4 **wood dowels** and 2 **cam screws** into **top panel** as shown. Secure, but do not over tighten, each cam screw using a **phillips head screwdriver**.

**1**

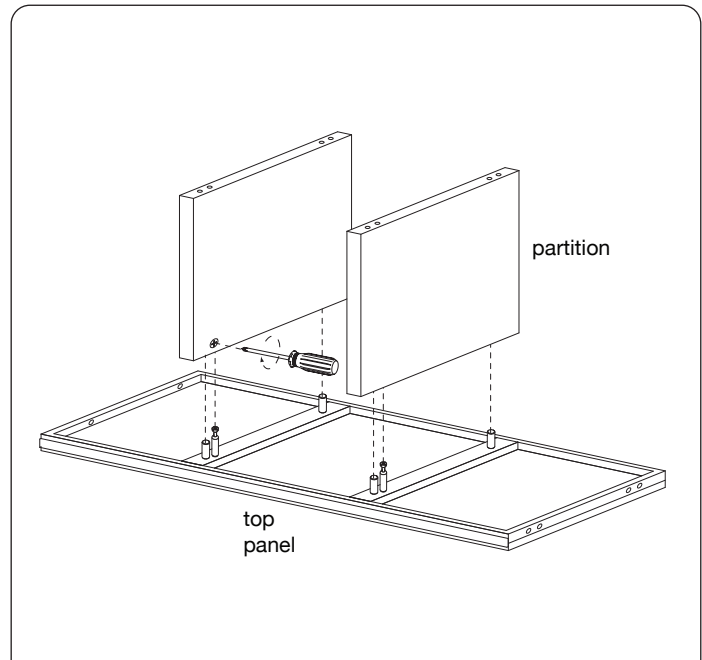
B. Insert 4 **wood dowels** into **bottom panel** as shown.



A. Insert 1 **cam** into each **partition** as shown. Make sure arrow of cam points toward nearest edge with holes.

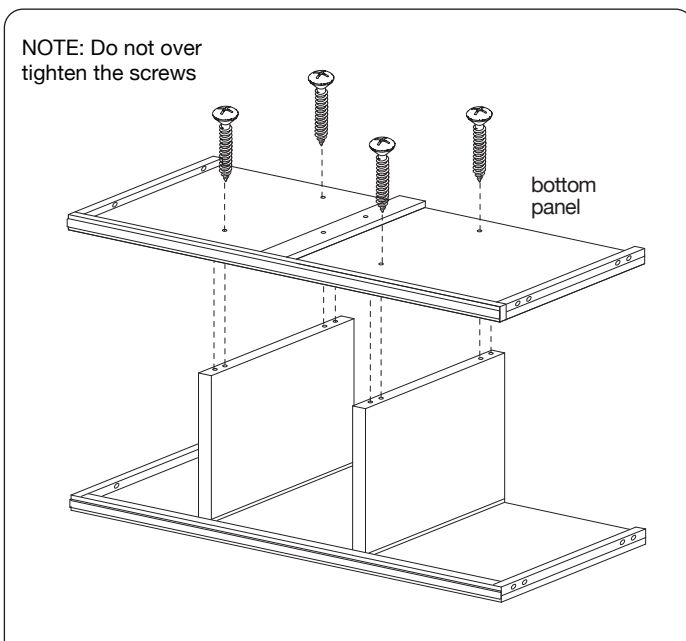
B. Insert 4 **wood dowels** into each **side panel** as shown.

**2**



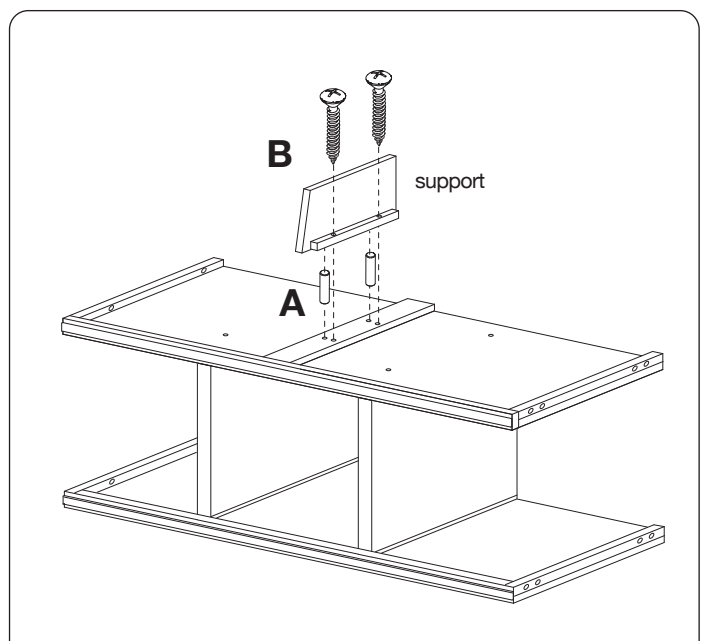
Fit dowels of **top panel** into corresponding holes of **partitions** as shown. Using a screwdriver, turn each **cam** until it securely engages the **cam screw**.

**3**



With the assistance of another adult, fit dowels of **bottom panel** into corresponding holes of assembled unit. Secure, with 4 **large screws** as shown using a screwdriver. Do not over tighten the screws.

**4**

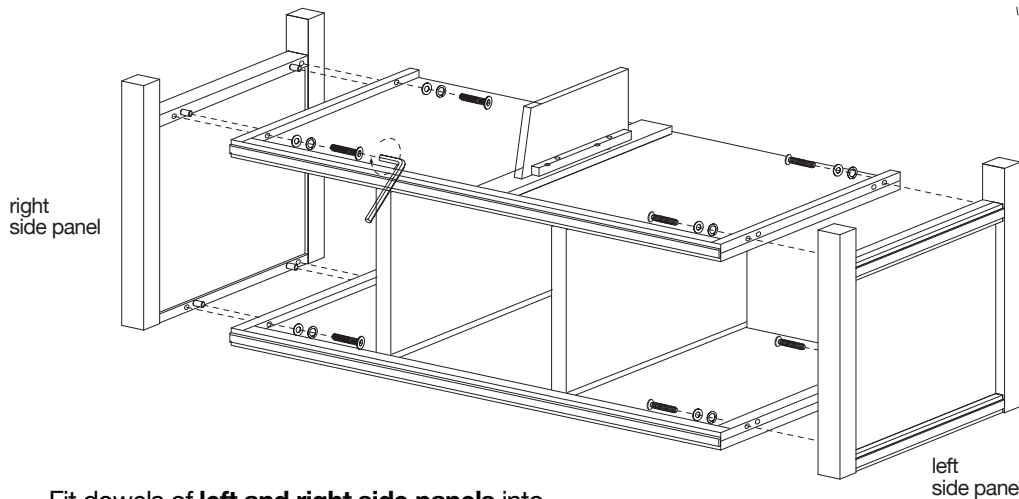


A) Insert 2 **wood dowels** into assembled unit as shown.

B) Fit dowels into corresponding holes of **support** as shown. Secure with 2 **large screws** as shown.

**5**

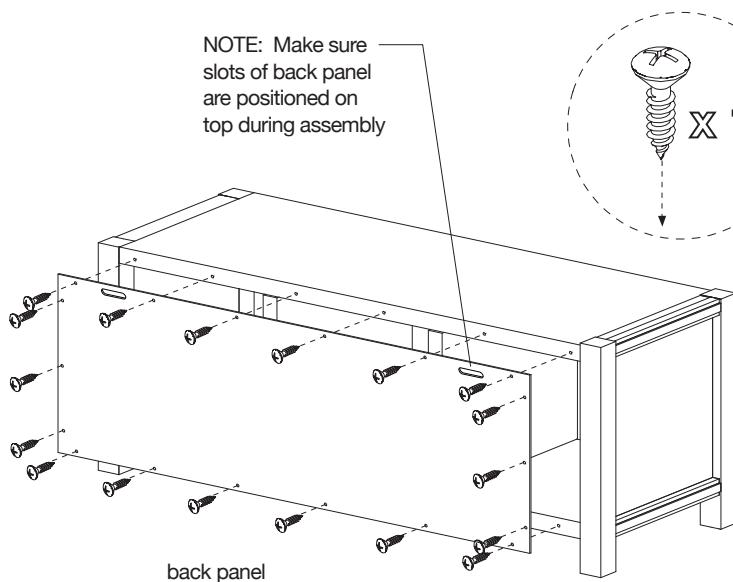
NOTE: Do not over tighten the bolts



Fit dowels of **left and right side panels** into corresponding holes of assembled unit as shown. Secure each side with **4 bolts, 4 spring washers** and **4 flat washers** using an **allen wrench**. Do not over tighten the bolts.

## 6

NOTE: Make sure slots of back panel are positioned on top during assembly



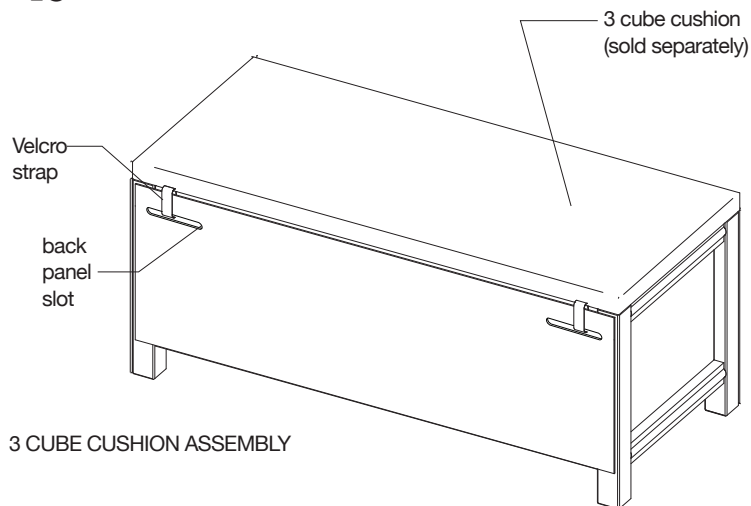
With the assistance of another adult, position assembled unit upright as shown. Attach **back panel** to assembled unit with **18 small screws** using a screwdriver. Assembly is now complete.

## 7

## Cleaning and Care

Clean surfaces with a dry or damp soft cloth. Do not use abrasive cleaners. Do not use furniture wax or polish as the unit is finished with a protective clear lacquer.

**OPTIONAL CUSHION  
ASSEMBLY**



Unfasten Velcro straps on **cushion**. Place **cushion** (sold separately) onto top of **3 Cube Bench** as shown. Loop Velcro straps through the front edge of the top panel and into the back panel slots. Fasten Velcro straps to secure cushion.

8