


Thank you for purchasing the **6 Cube Storage Bookcase**. This page lists all the contents included in the box. Please take the time to identify the hardware as well as the individual components to this product. As you unpack and prepare for assembly, place the contents on a carpeted or padded area to protect them from damage.

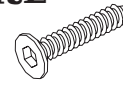
Note: 2 people are required to safely assemble this product.

 **WARNING: Adult Assembly Required**

### HARDWARE



20 - wood dowels



12 - bolts



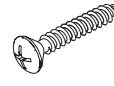
12 - spring washers



12 - flat washers



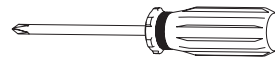
23 - screws



4 - large screws

Missing hardware? Please call **800.933.9904** for replacements.  
NOTE: Contains small parts. Keep away from small children.

### TOOLS REQUIRED

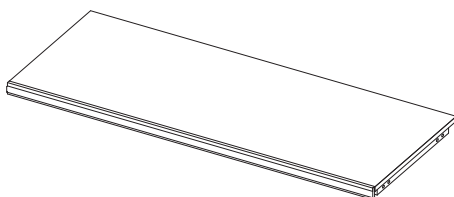


Phillips head screwdriver

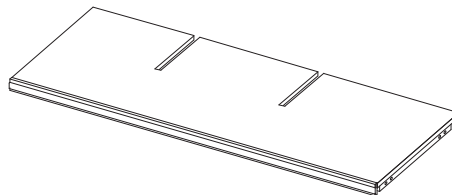


Allen wrench (included)  
(We recommend the use of hand tools instead of power tools)

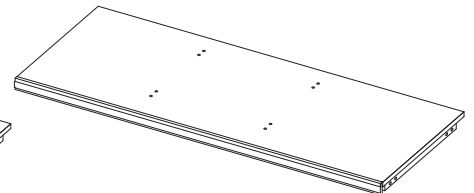
### COMPONENTS



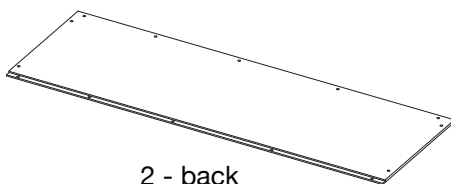
1 - top panel



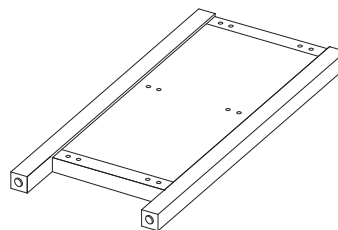
1 - middle panel



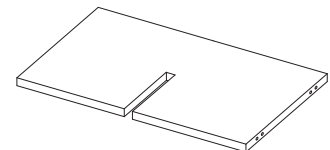
1 - bottom panel



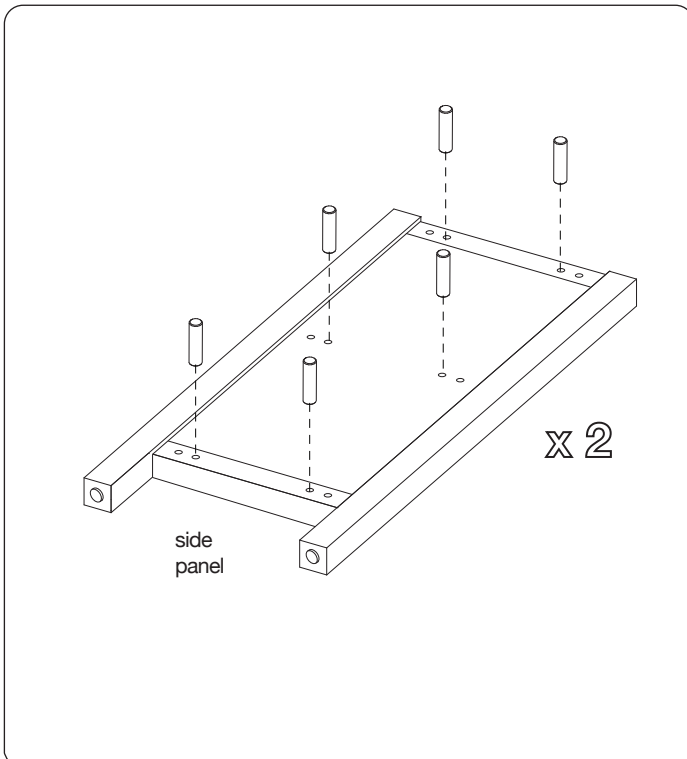
2 - back panels



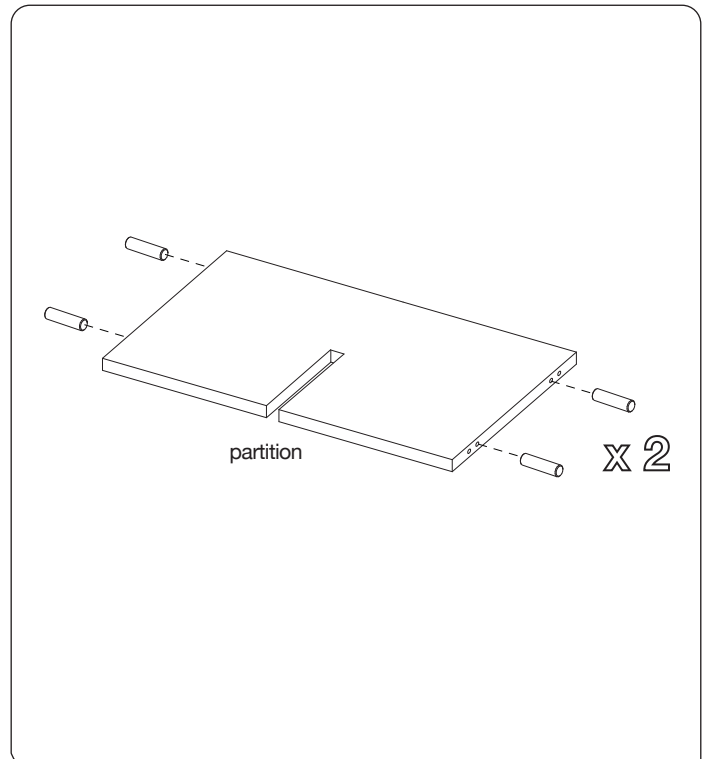
2 - side panels  
(1 left, 1 right)



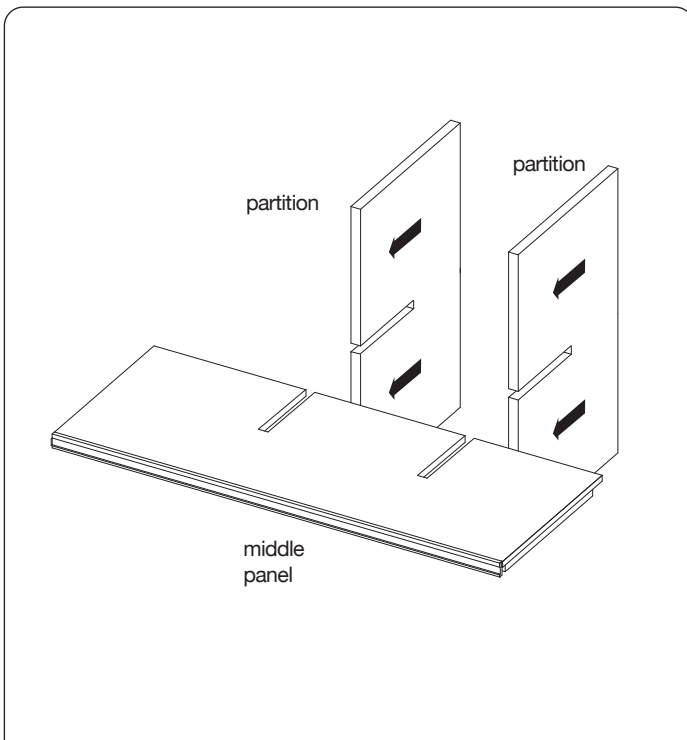
2 - partitions



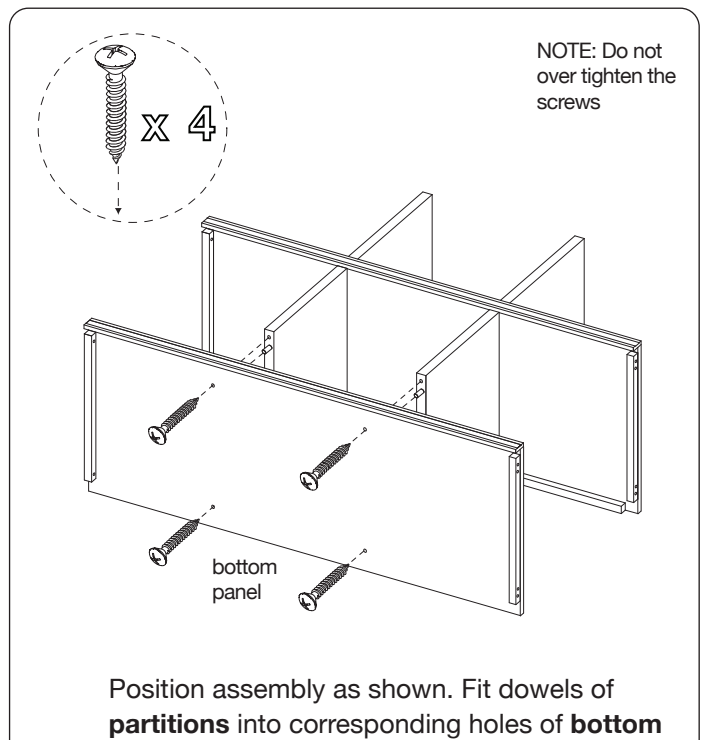
**1** Insert 6 **wood dowels** into each **side panel** as shown.



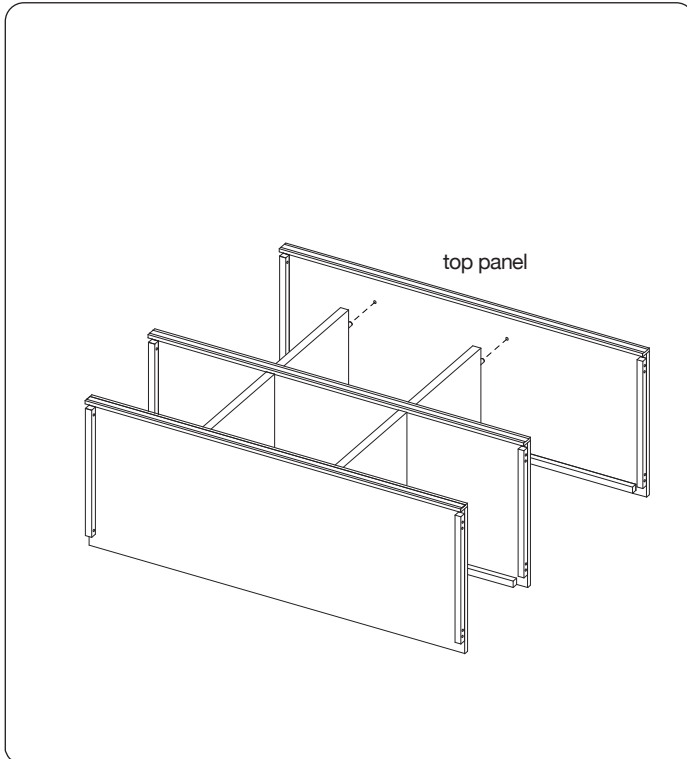
**2** Insert 4 **wood dowels** into each **partition** as shown.



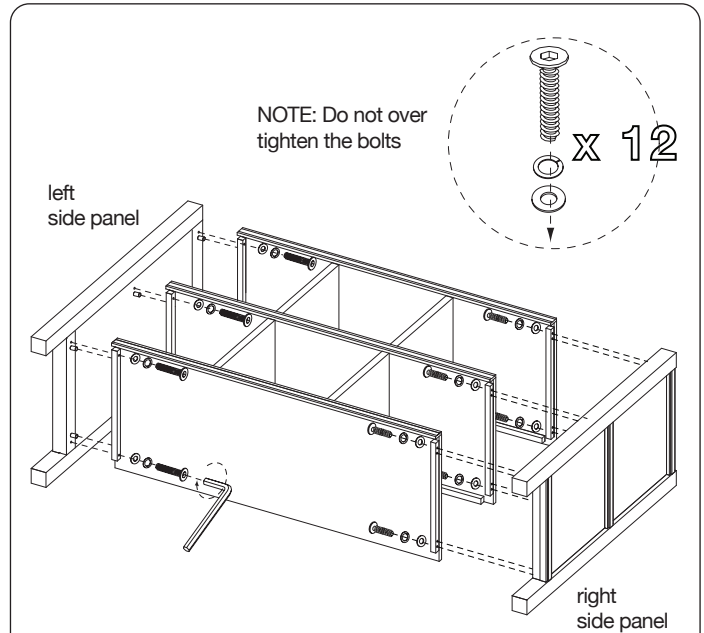
**3** With the assistance of another adult, fit slots of each **partition** into corresponding slots of **middle panel** as shown.



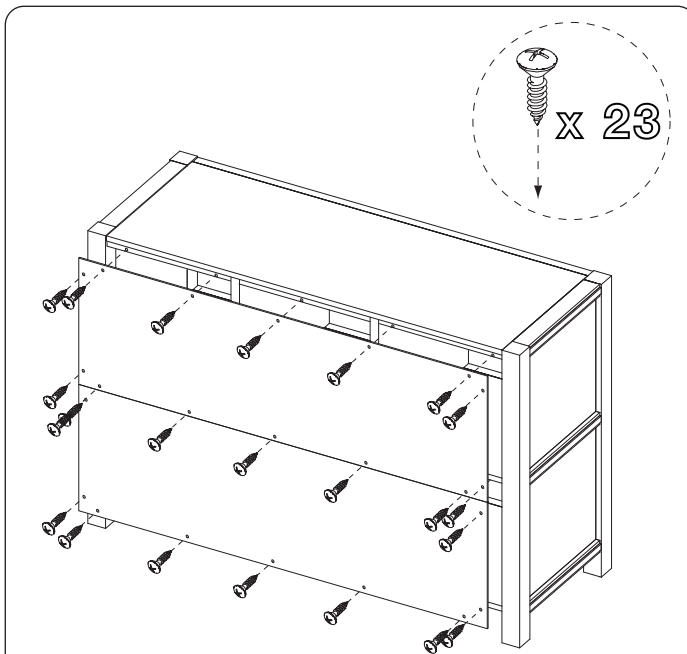
**4** Position assembly as shown. Fit dowels of **partitions** into corresponding holes of **bottom panel** as shown. Secure **bottom panel** with 4 **large screws** using a **Phillips head screwdriver**. Do not over tighten the screws.



**5** Fit dowels of **partitions** into corresponding holes of **top panel** as shown.



**6** Fit dowels of **left and right side panels** into corresponding holes of assembled unit as shown. Secure each **side panel** with **6 bolts**, **6 spring washers** and **6 flat washers** using an **allen wrench**.



**7** With the assistance of another adult, carefully place assembled unit upright as shown. Attach **2 back panels** to assembly with **23 screws**, using a screwdriver. Assembly is now complete.

## Cleaning and Care

Clean surfaces with a dry or damp soft cloth. Do not use abrasive cleaners. Do not use furniture wax or polish as the unit is finished with a protective clear lacquer.

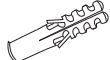
# ! WARNING

**Serious or fatal crushing injuries can occur from furniture tip over. Use of tip-over restraints may only reduce, but not eliminate, the risk of tip-over. To help prevent tip-over, install tip restraint per instructions below.**

## MOUNTING HARDWARE



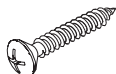
2 - wall straps



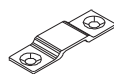
4 - plastic anchors



4 - small screws



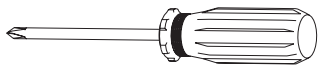
4 - large screws



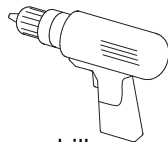
4 - mounting brackets

Missing hardware? Please call 800.933.9904 for replacements.  
NOTE: Contains small parts. Keep away from small children.

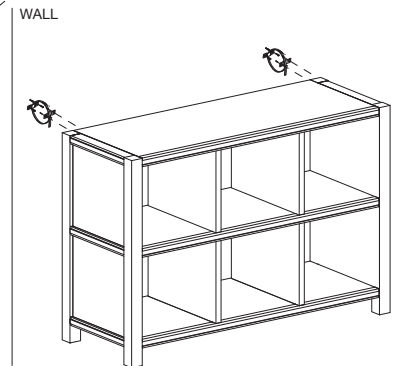
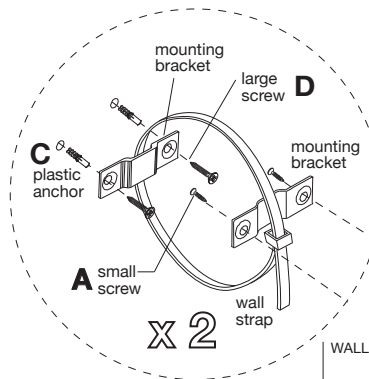
## TOOLS REQUIRED



phillips head screwdriver



power drill  
(for pilot holes only)



## WALL MOUNTING ASSEMBLY

For added safety and stability, it is recommended that the wall mounting hardware be installed. For safe mounting, it is essential to use wall anchors appropriate to your wall type (i.e. plaster, drywall, concrete, etc.). Mount to wood studs whenever possible.

- A) Attach **mounting bracket** to top center of unit using 2 **small screws**.
- B) Determine the final location of unit. Mark position on the wall, approximately 2" below the mounting bracket mounted to the back of the unit.
- C) Drill a hole in the wall stud. If the wall stud is not available, drill a hole in the wall that is slightly smaller in diameter than the anchor. Gently tap the **plastic anchor** until the flange of the anchor is flush with the wall.
- D) Attach the **mounting bracket** to the wall by inserting 2 **large screws** through the mounting bracket and into the wall anchor in the wall.
- E) Place the unit so the mounting bracket on the back edge is allowed with the wall bracket.
- F) Lace one end of the **wall strap** through both brackets, and into the other end of the strap.
- G) Pull the strap tightly until secure.

Repeat step A-G for remaining wall mounting assembly.

**NOTE: If you are unsure about your wall type or what mounting method you should use, consult a qualified professional.**

Wall mounting assembly is now complete.