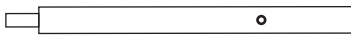
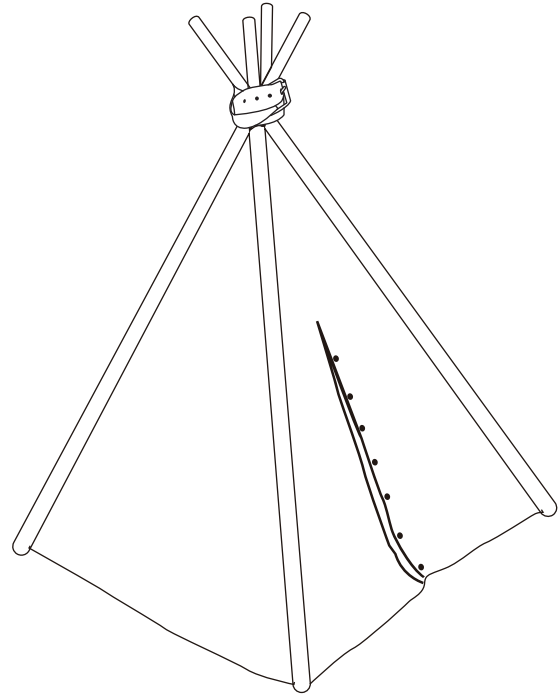


This page lists the contents included in the box. Please take time to identify the hardware as well as the individual components of the product. As you unpack and prepare for assembly, place the contents on a carpeted or padded area to protect them from damage. Please follow the assembly instructions closely. Improper assembly can result in personal or property damage.

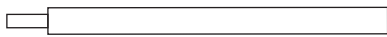
 **WARNING:**
Adult Assembly Required



4 - Top poles



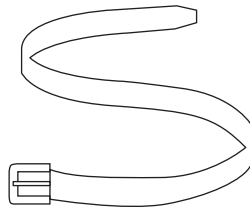
4 - Connectors



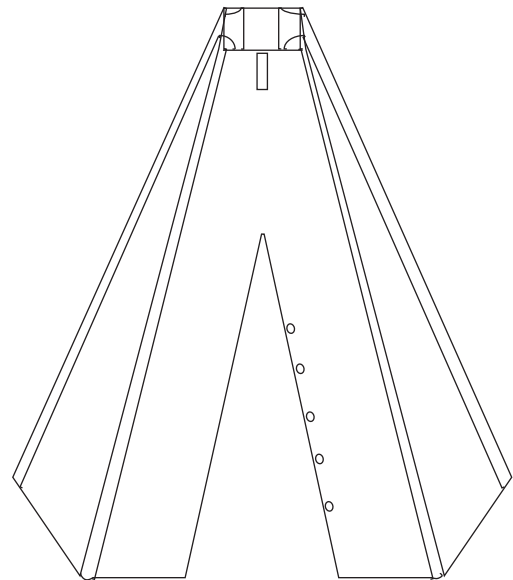
4 - Bottom poles



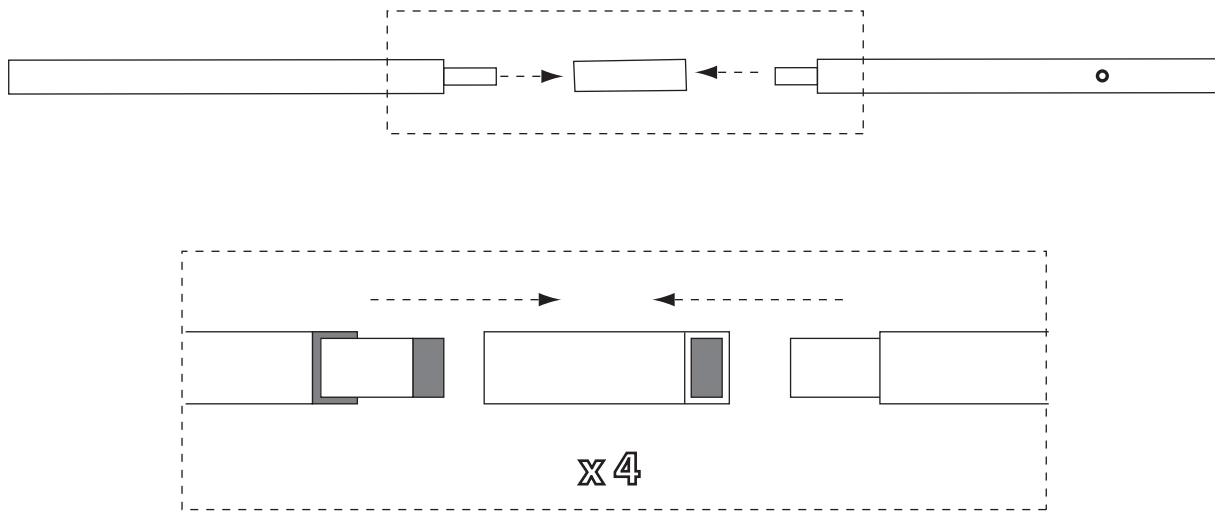
1 - String



1 - Belt

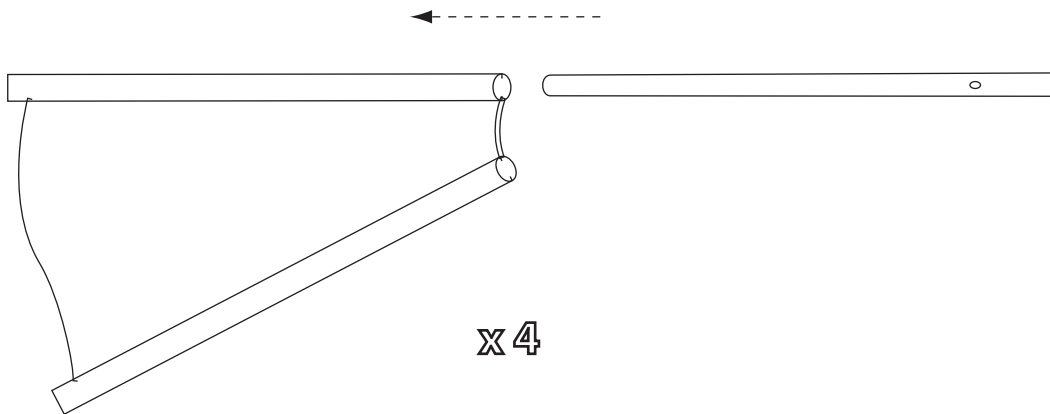


1 - Teepee fabric



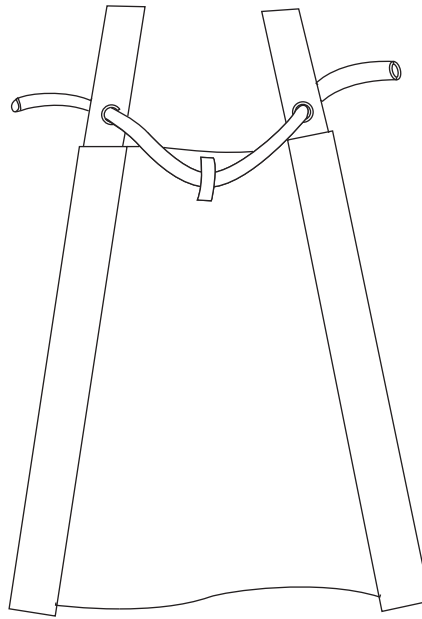
1

Insert **top pole** and **bottom pole** into the **connector** as shown. Repeat step for remaining poles.



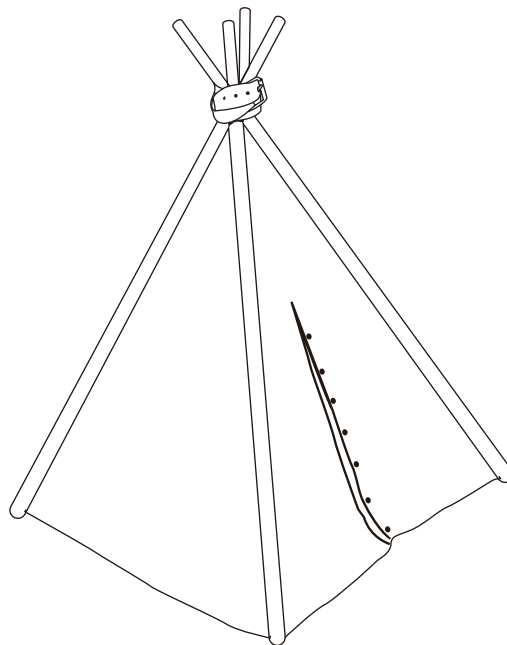
2

Insert the **poles** into the corresponding channels of the **teepee fabric**. Make sure the holes in the **pole** are at the top of the teepee as shown. Repeat step for remaining poles.



3

Lace the **string** at the top of the teepee, alternating between the holes in the **top poles** and belt loops on the **teepee fabric**. Tie the **string** together to secure all the poles together.



4

Spread out the bottom corners of the teepee until fully extended. At this point, arrange the **belt** over poles as shown. Assembly is now complete.