

Thank you for purchasing the **Dollhouse Bookcase**. This page lists all the contents included in the box. Please take the time to identify the hardware as well as the individual components to this product. As you unpack and prepare for assembly, place the contents on a carpeted or padded area to protect them from damage.
Note: 2 people are required to safely assemble this product.

HARDWARE



22 - wood dowels



30 - large bolts



16 - small screws



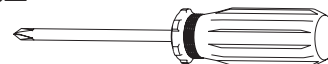
30 - flat washers



30 - spring washers

Missing hardware? Please call **800.933.9904** for replacements.
NOTE: Contains small parts. To avoid danger keep away from small children.

TOOLS REQUIRED



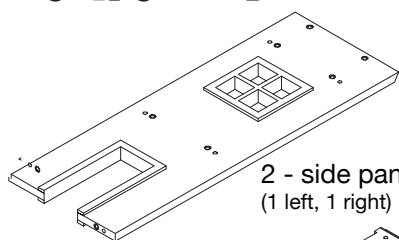
Phillips head screwdriver

(We recommend the use of hand tools instead of power tools)

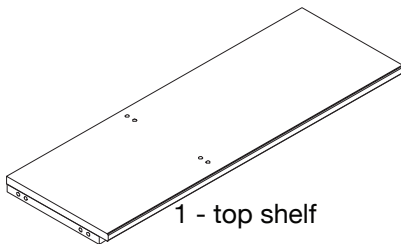


WARNING: Adult Assembly Required

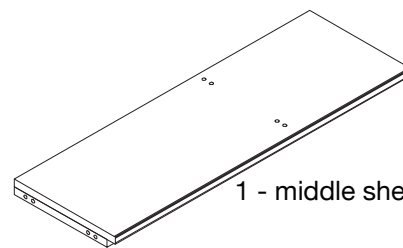
COMPONENTS



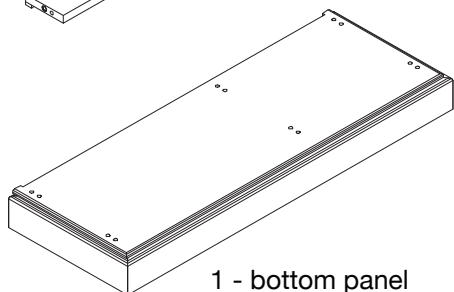
2 - side panels
(1 left, 1 right)



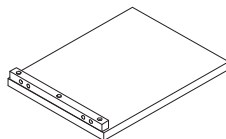
1 - top shelf



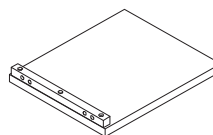
1 - middle shelf



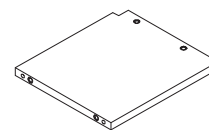
1 - bottom panel



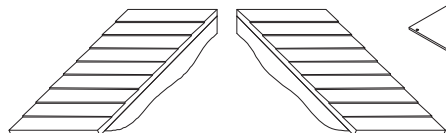
1 - large partition



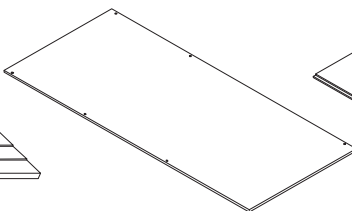
1 - medium partition



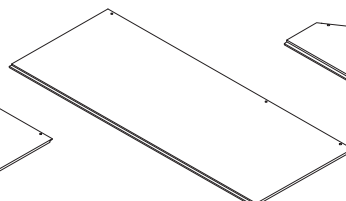
1 - small partition



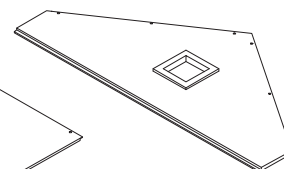
2 - roof panels



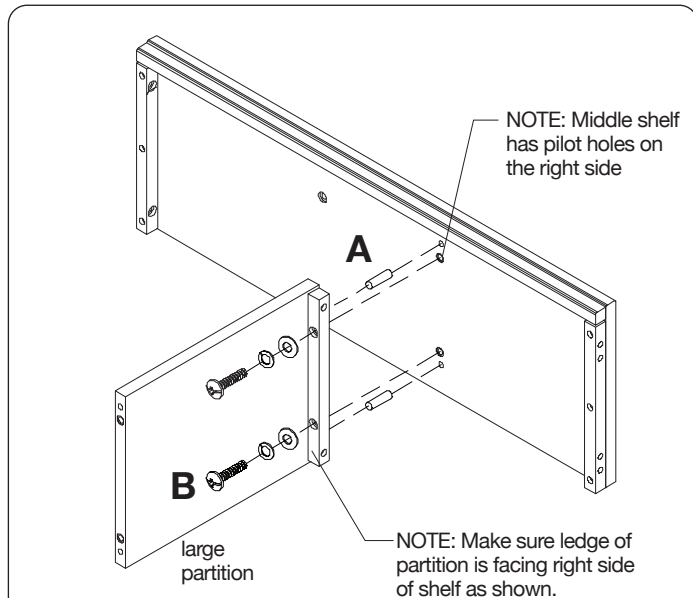
1 - bottom back panel



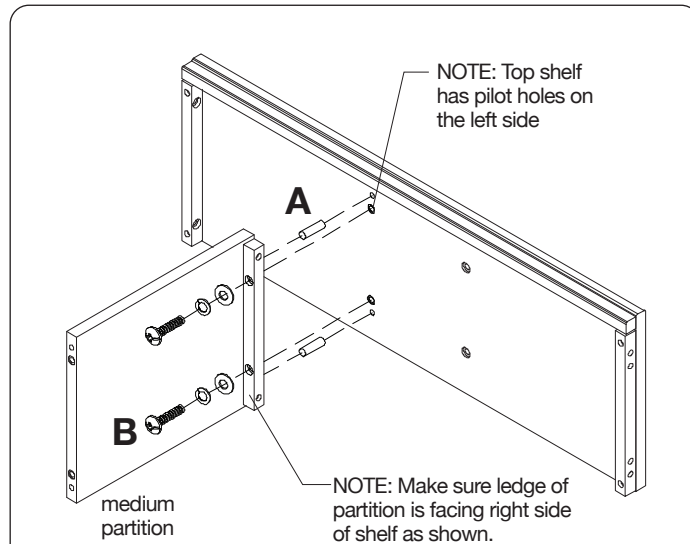
1 - middle back panel



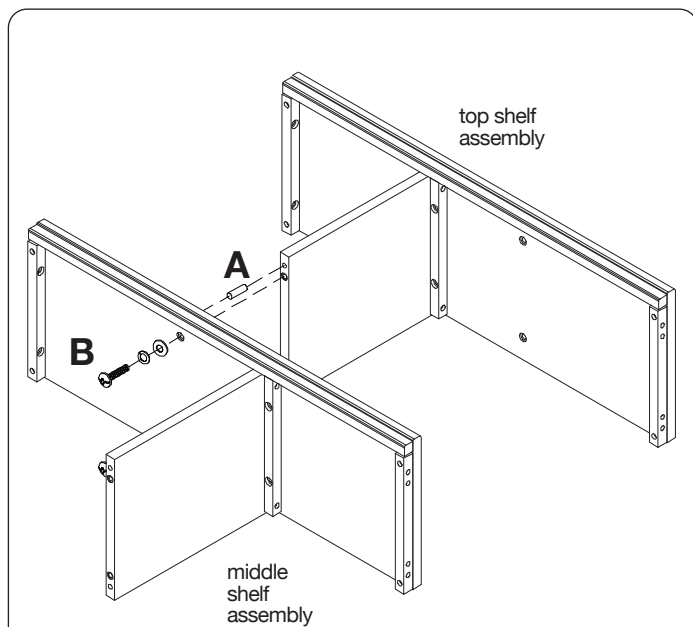
1 - top back panel



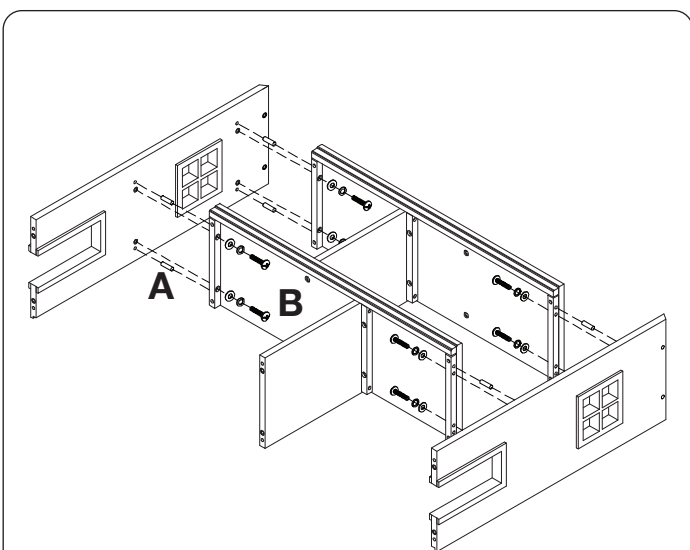
- 1**
- A) Insert 2 **wood dowels** into **middle shelf** as shown.
- B) Attach 1 **large partition** to **middle shelf** with 2 **large bolts**, 2 **spring washers** and 2 **flat washers** as shown. Secure, but do not over tighten, bolts with a **Phillips head screwdriver**.



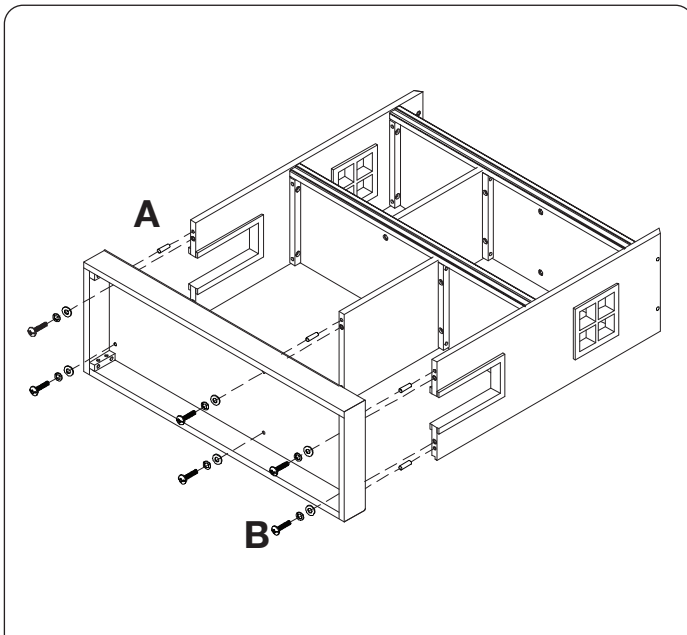
- 2**
- A) Insert 2 **wood dowels** into **top shelf** as shown.
- B) Attach 1 **medium partition** to **top shelf** with 2 **large bolts**, 2 **spring washers** and 2 **flat washers** as shown.



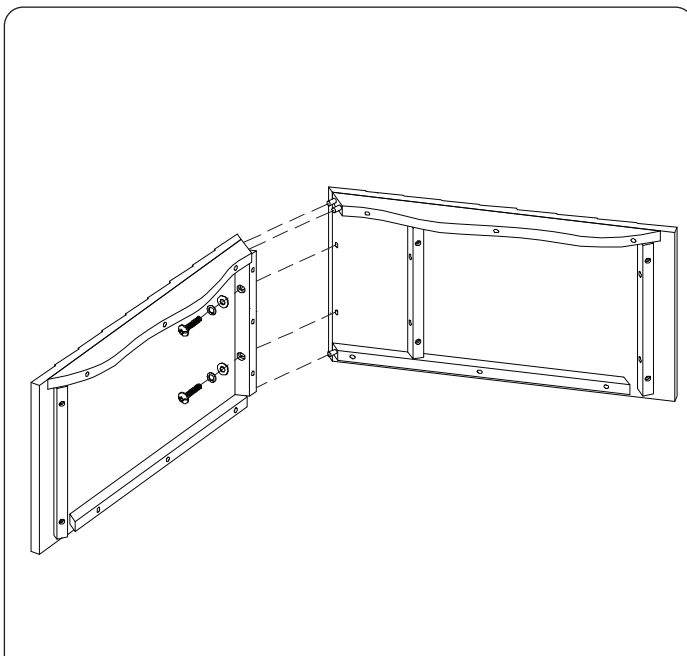
- 3**
- A) Insert 2 **wood dowels** into partition of top shelf assembly as shown.
- B) Attach middle shelf assembly with 2 **large bolts**, 2 **spring washers** and 2 **flat washers** as shown.



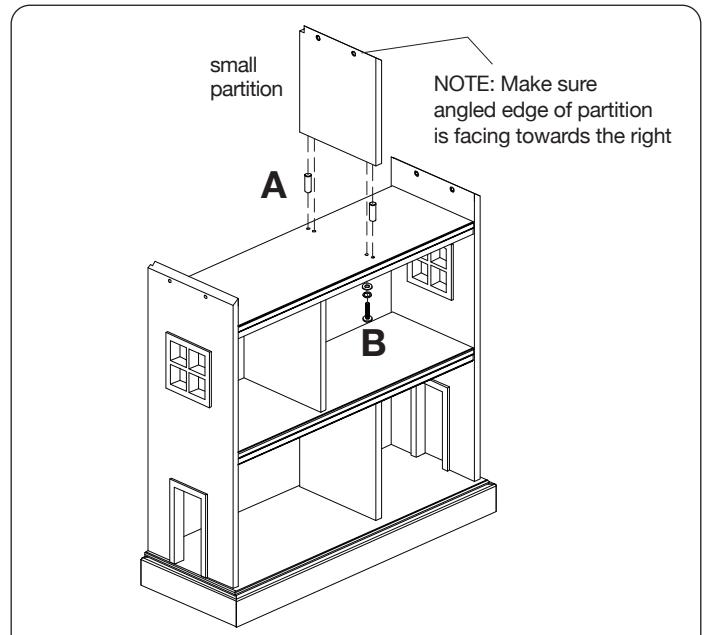
- 4**
- A) Insert 8 **wood dowels** into **left and right side panels** as shown.
- B) Attach shelf assembly to each **side panel** with 8 **bolts**, 8 **spring washers** and 8 **flat washers** as shown.



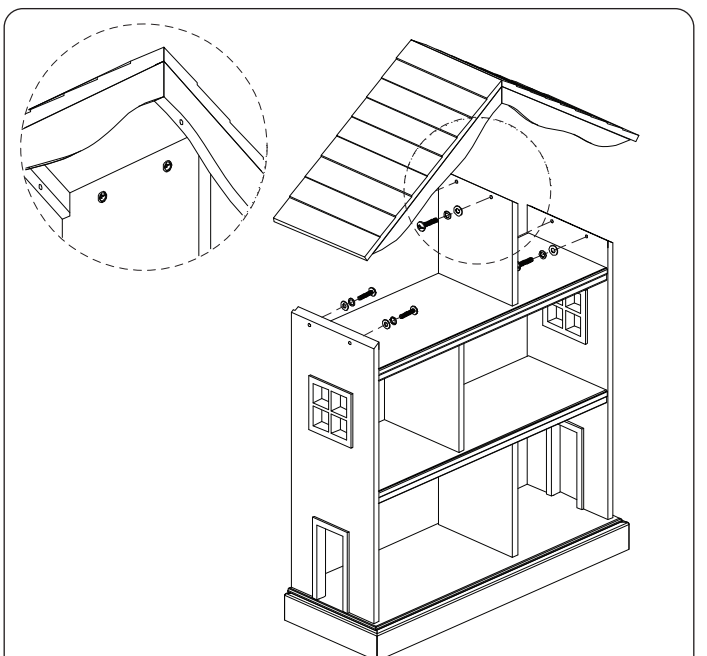
- 5**
- A) Insert 6 **wood dowels** into shelf assembly as shown.
- B) Fit dowels of assembly into corresponding holes of bottom panel and secure with 6 **large bolts**, 6 **spring washers** and 6 **flat washers**.



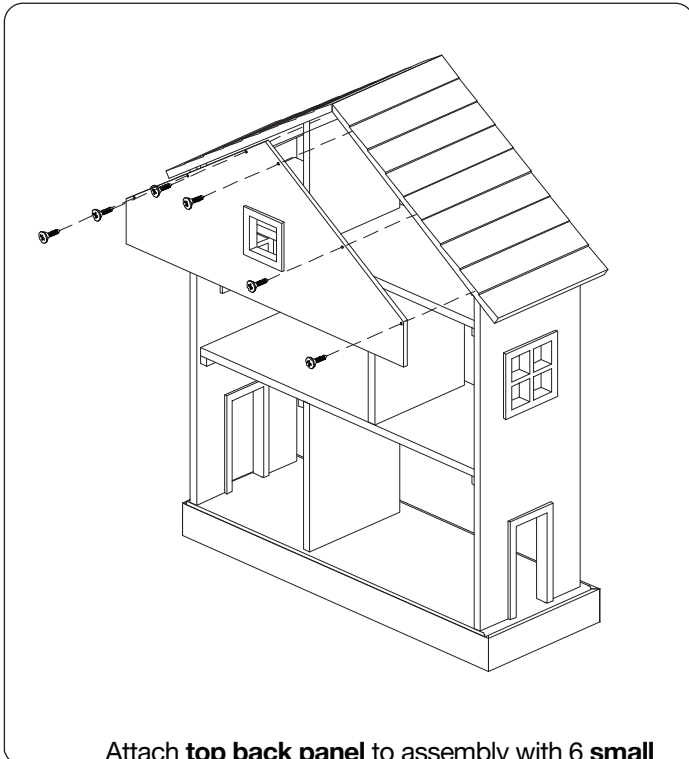
- 7**
- Fit pre-assembled dowels of **roof panel** into corresponding holes of remaining **roof panel**, and secure with 2 **large bolts**, 2 **spring washers** and 2 **flat washers** as shown.



- 6**
- A) With the assistance of another adult, position unit upright. Insert 2 **wood dowels** into **small partition** as shown.
- B) Fit dowels of partition into corresponding holes of assembly and secure with 2 **large bolts**, 2 **spring washers** and 2 **flat washers** as shown.
- NOTE: Make sure angled edge of partition is facing towards the right

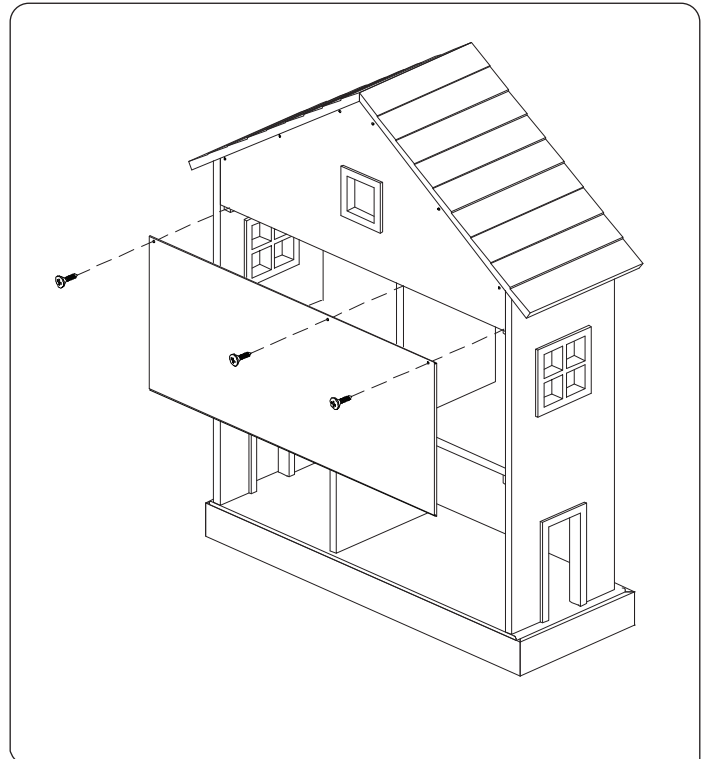


- 8**
- With the assistance of another adult, attach roof assembly onto shelf assembly with 6 **large bolts**, 6 **spring washers** and 6 **flat washers** as shown.



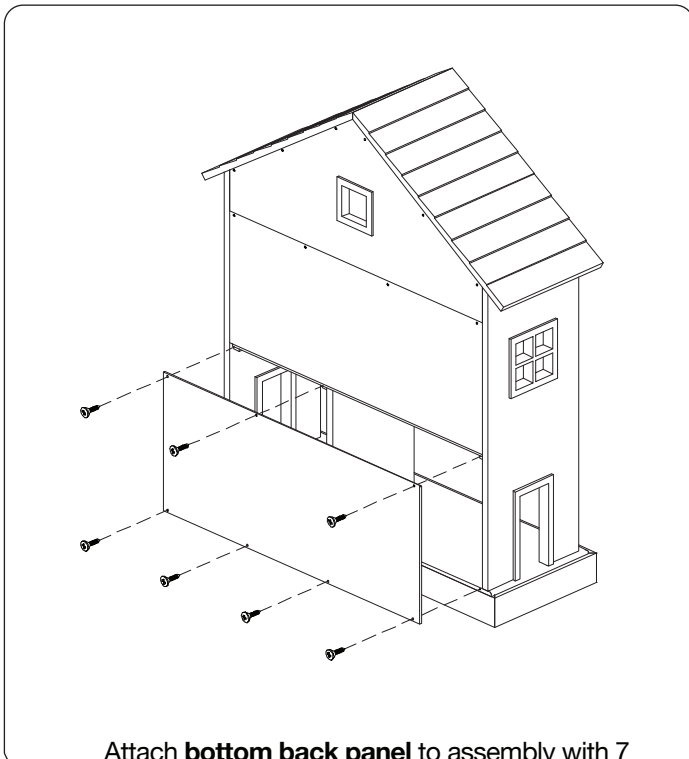
9

Attach **top back panel** to assembly with 6 **small screws** as shown. Secure, but do not over tighten, screws with a screwdriver.



10

Attach **middle back panel** to assembly with 3 **small screws** as shown.



11

Attach **bottom back panel** to assembly with 7 **small screws** as shown. Assembly is now complete.

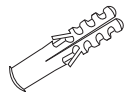
CLEANING AND CARE

Clean surfaces with a dry or damp soft cloth. Do not use abrasive cleaners. Do not use furniture wax or polish as the unit is finished with a protective clear lacquer.

! WARNING

Serious or fatal crushing injuries can occur from furniture tip over. Use of tip-over restraints may only reduce, but not eliminate, the risk of tip-over. To help prevent tip-over, install tip restraint per instructions below.

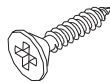
MOUNTING HARDWARE



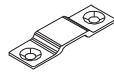
4 - plastic anchors



4 - small screws



4 - large screws



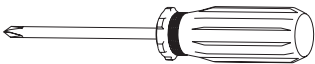
4 - mounting brackets



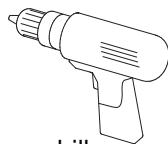
2 - wall straps

Missing hardware? Please call 800.933.9904 for replacements. NOTE: Contains small parts. Keep away from small children.

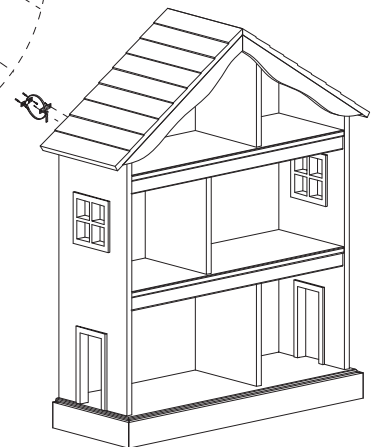
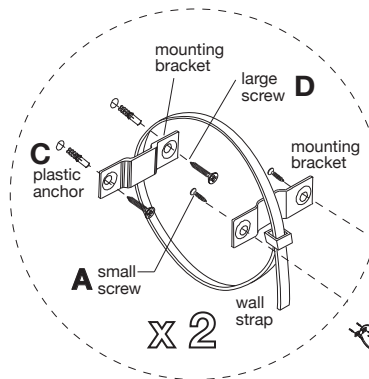
TOOLS REQUIRED



phillips head screwdriver



power drill
(for pilot holes only)



WALL MOUNTING ASSEMBLY

For added safety and stability, it is recommended that the wall mounting hardware be installed. For safe mounting, it is essential to use wall anchors appropriate to your wall type (i.e. plaster, drywall, concrete, etc.). Mount to wood studs whenever possible.

A) Attach **mounting bracket** to top of unit using 2 **small screws**.

B) Determine the final location of unit. Mark position on the wall, approximately 2" below the mounting bracket mounted to the back of the unit.

C) Drill a hole in the wall stud. If the wall stud is not available, drill a hole in the wall that is slightly smaller in diameter than the anchor. Gently tap the **plastic anchor** until the flange of the anchor is flush with the wall.

D) Attach the **mounting bracket** to the wall by inserting 2 **large screws** through the mounting bracket and into the wall anchor in the wall.

E) Place the unit so the mounting bracket on the back edge is allowed with the wall bracket.

F) Lace one end of the **wall strap** through both brackets, and into the other end of the strap.

G) Pull the strap tightly until secure.

Repeat step A-G for remaining wall mounting assembly.

NOTE: If you are unsure about your wall type or what mounting method you should use, consult a qualified professional.

Wall mounting assembly is now complete.