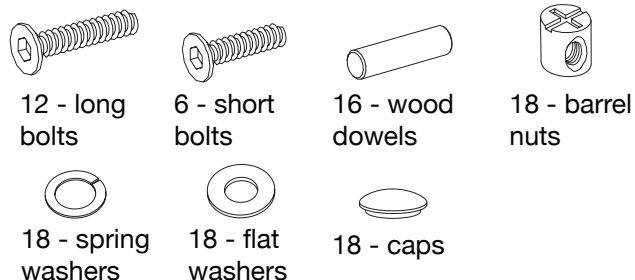


Thank you for purchasing the **Elementary Trestle Table**. This page lists all the contents included in the box. Please take the time to identify the hardware as well as the individual components to this product. As you unpack and prepare for assembly, place the contents on a carpeted or padded area to protect them from damage.
Note: 2 people are required to safely assemble this product.

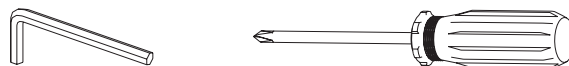
HARDWARE



Missing hardware? Please call **800.933.9904** for replacements.
NOTE: Contains small parts. To avoid danger of choking, keep away from small children.

! WARNING: Adult Assembly Required

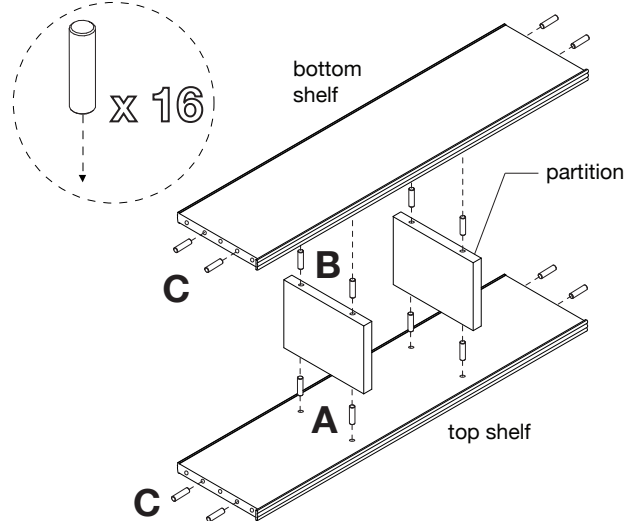
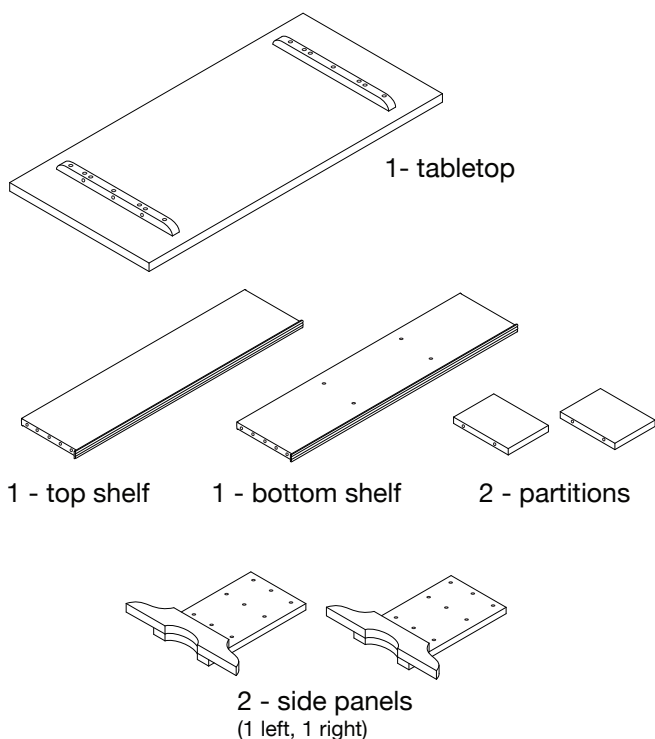
TOOLS REQUIRED



allen wrench (included) phillips head screwdriver

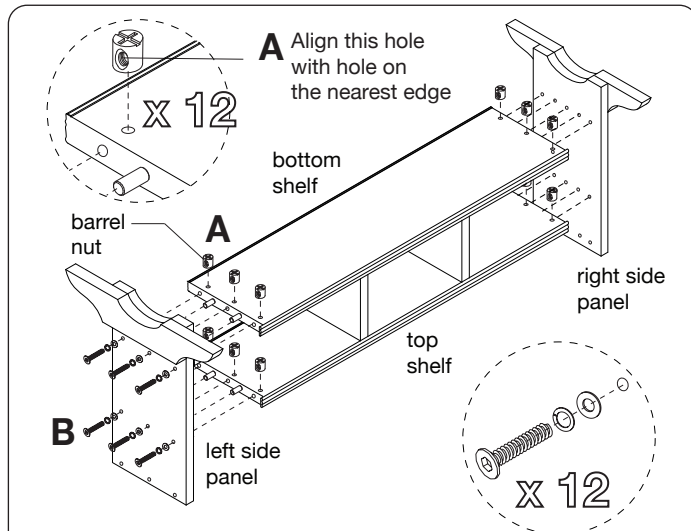
(We recommend the use of hand tools instead of power tools)

COMPONENTS



- A. Insert 4 **wood dowels** into each **partition** as shown.
- B. With the assistance of another adult fit dowels of each **partition** into corresponding holes of **top and bottom shelf** as shown.
- C. Insert 8 **wood dowels** to **top panel** and **bottom panel** as shown.

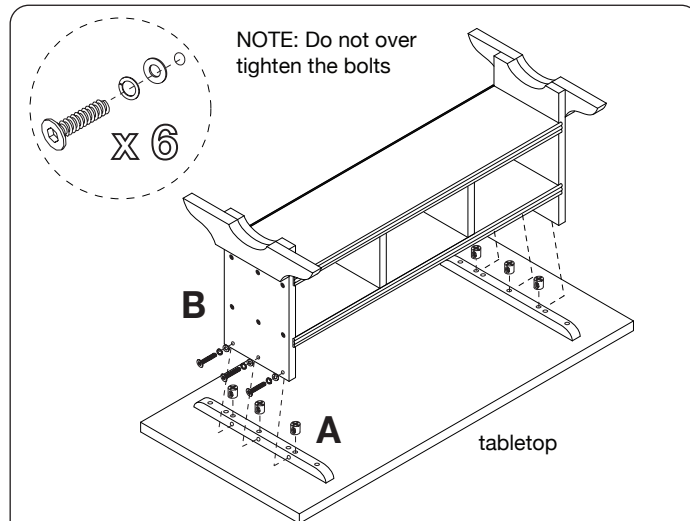
1



A. Insert 6 **barrel nuts** into **top panel** and **bottom panel**. Use a **Phillips head screwdriver** to align the hole on the side of the barrel nut with the hole on the nearest edge of each panel.

B. With the assistance of another adult, fit dowels of assembly into corresponding holes of **left and right side panels**. Loosely attach 6 **long bolts**, 6 **spring washers** and 6 **flat washers**.

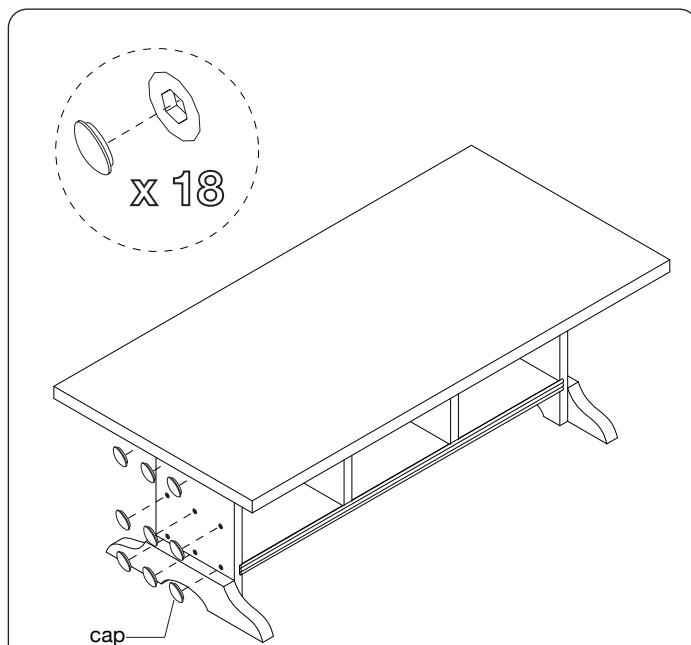
2



A. With the assistance of another adult, place **tabletop** upside down onto a clean, padded surface. Insert 6 **barrel nuts** into **tabletop** as shown.

B. Fit assembly over **tabletop** as shown. Secure aprons of each side with 3 **short bolts**, 3 **spring washers** and 3 **flat washers**. At this point, fully tighten all bolts using an **Allen wrench**. Make sure each bolt is securely engaged with corresponding barrel nuts.

3



With the assistance of another adult, position assembled unit upright. Fit 9 **caps** per side over exposed bolts as shown. Assembly is now complete.

4

CLEANING AND CARE

Clean surfaces with a dry or damp soft cloth. Do not use abrasive cleaners. Do not use furniture wax or polish as the unit is finished with a protective clear lacquer.