



**⚠ WARNING:**

- Failure to follow these warnings and assembly instructions could result in serious injury or death.
- Read all instructions before assembling crib. Keep instructions for future use.

**⚠ WARNING:**

- Infants can suffocate on soft bedding. Never add a pillow or comforter. Never place additional padding under an infant.
- To reduce the risk of SIDS, pediatricians recommend healthy infants be placed on their backs to sleep, unless otherwise advised by your physician.

**Strangulation Hazard:**

- Strings can cause strangulation! DO NOT place items with a string, cord or ribbon around a child's neck, such as hood strings or pacifier cords. DO NOT suspend strings over crib or toddler bed, or attach strings to toys for any reason.
- To help prevent strangulation, tighten all fasteners. A child can trap parts of the body or clothing on loose fasteners.
- DO NOT place crib or toddler bed near windows where cords from blinds or drapes may strangle a child.

**Fall Hazard:**

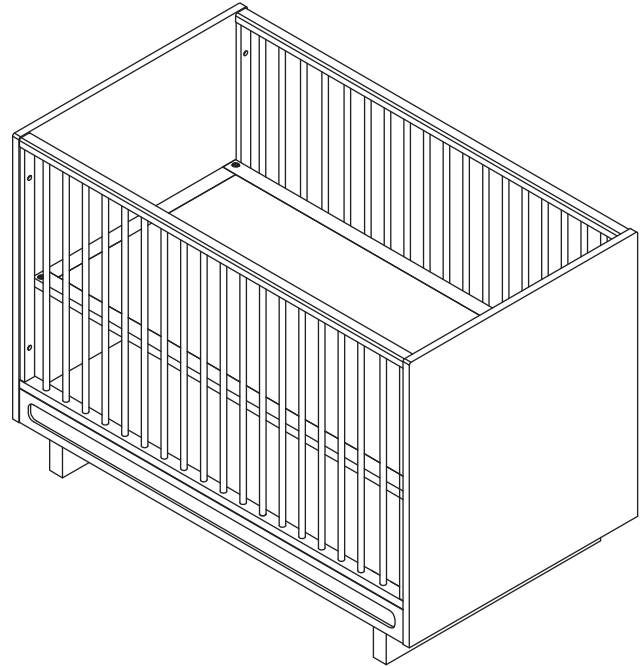
- When child is able to pull to standing position, set mattress to lowest position and remove bumper pads, large toys and other objects that could serve as steps for climbing out.
- When child is able to climb out or reaches the height of 35 inches (90 cm), the crib shall no longer be used and the child should be placed in a youth or regular bed.

**⚠ CAUTION: ANY MATTRESS USED IN THIS CRIB MUST BE AT LEAST 27-1/4 INCHES (69 cm) BY 51-5/8 INCHES (131 cm) WITH A THICKNESS NOT EXCEEDING 6 INCHES (15 cm).**

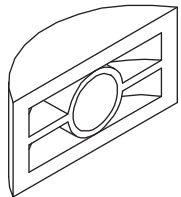
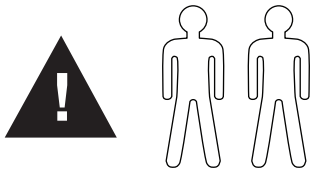
- Check this product for damaged hardware, loose joints, missing parts or sharp edges before and after assembly and frequently during use. Securely tighten loose bolts and other fasteners. DO NOT use crib if any parts are missing, damaged, or broken. Contact The Land of Nod® for replacement parts and instructional literature if needed. DO NOT substitute parts.
- If refinishing, use a non-toxic finish specified for children's products.
- Never use plastic shipping bags or other plastic film as mattress covers because they can cause suffocation.
- Infants can suffocate in gaps between crib sides and a mattress that is too small.
- Periodically check to see that all bolts are securely tightened.
- To clean crib: Wipe with clean soft cloth dampened with a mild cleanser and water. Rinse with clean water using a soft cloth, and dry thoroughly.
- Follow warnings on all products in a crib.
- When a vaporizer is in use, always aim vapor steam away from the crib as well as away from other wood furniture.

Made in Vietnam - r05

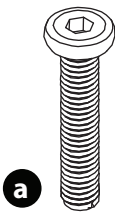
This page lists the contents included in the box. Please take time to identify the hardware as well as the individual components of the product. As you unpack and prepare for assembly, place the contents on a carpeted or padded area to protect them from damage. Please follow the assembly instructions closely. Improper assembly can result in personal or property damage.



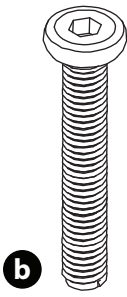
**Note: 2 adults are required to safely assemble this product.**



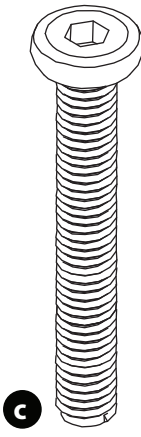
4 - Brackets



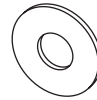
8 - Small bolts



8 - Medium bolts



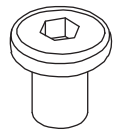
4 - Large bolts



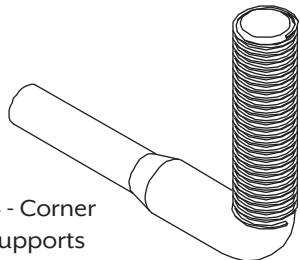
20 - Flat washers



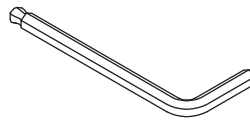
20 - Spring washers



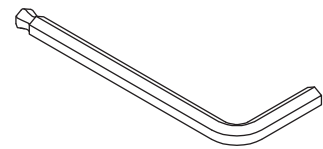
4 - Bolt caps



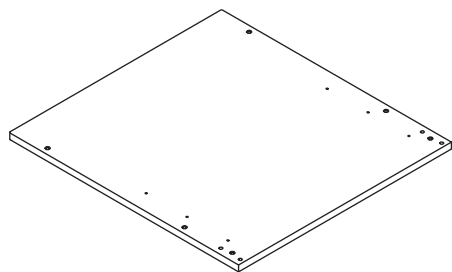
4 - Corner supports



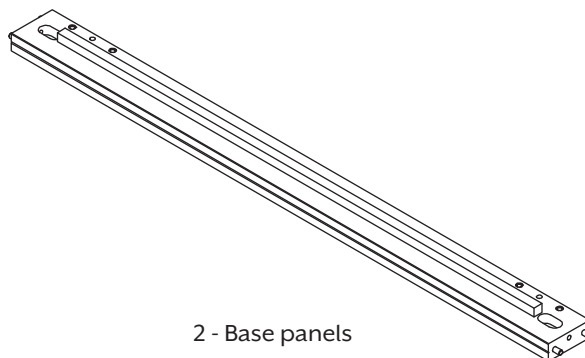
1 - Small Allen wrench



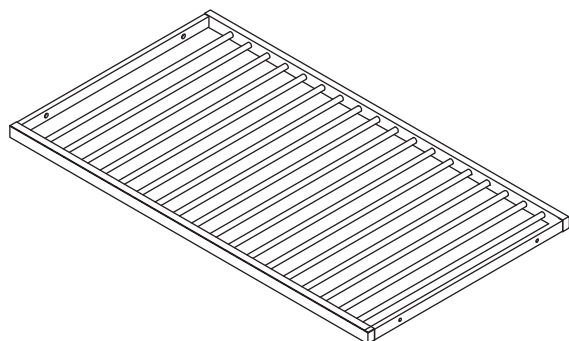
1 - Large Allen wrench



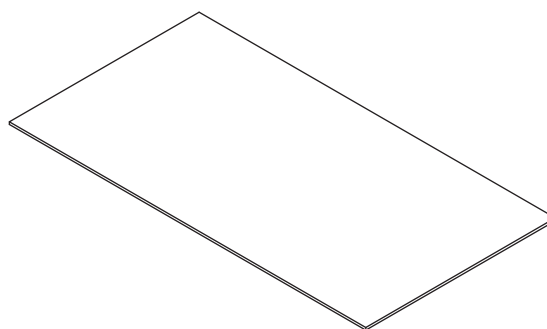
2 - End panels



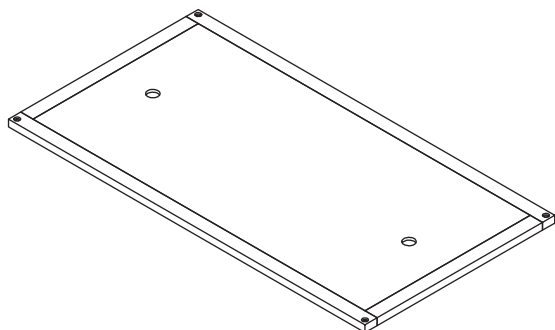
2 - Base panels



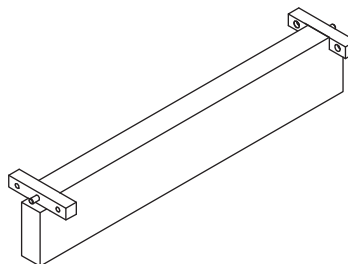
2 - Side panels



1 - Bottom panel



1 - Mattress support

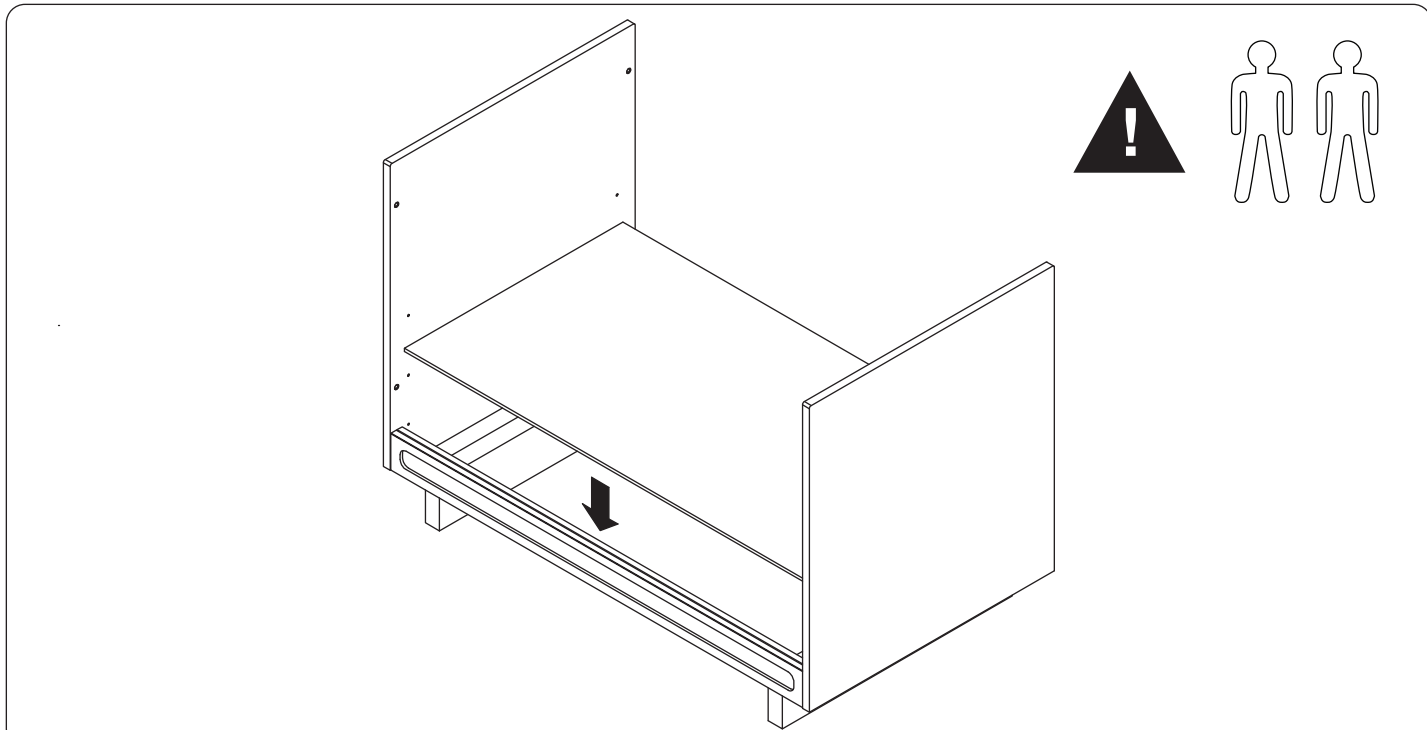


2 - Legs

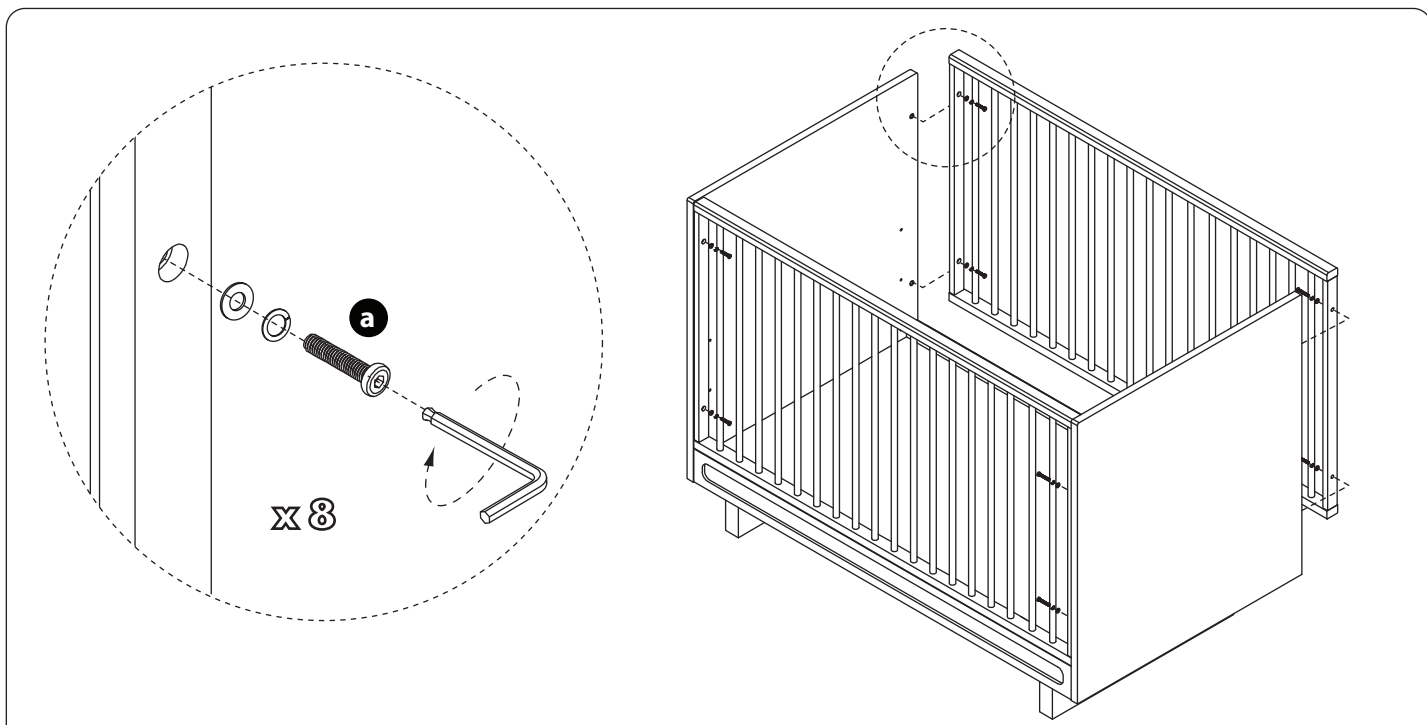
**1** With a **small Allen wrench**, attach 2 **legs** to each **base panel** with 4 **medium bolts**, 4 **spring washers** and 4 **flat washers** as shown.

**NOTE: Do not fully tighten**

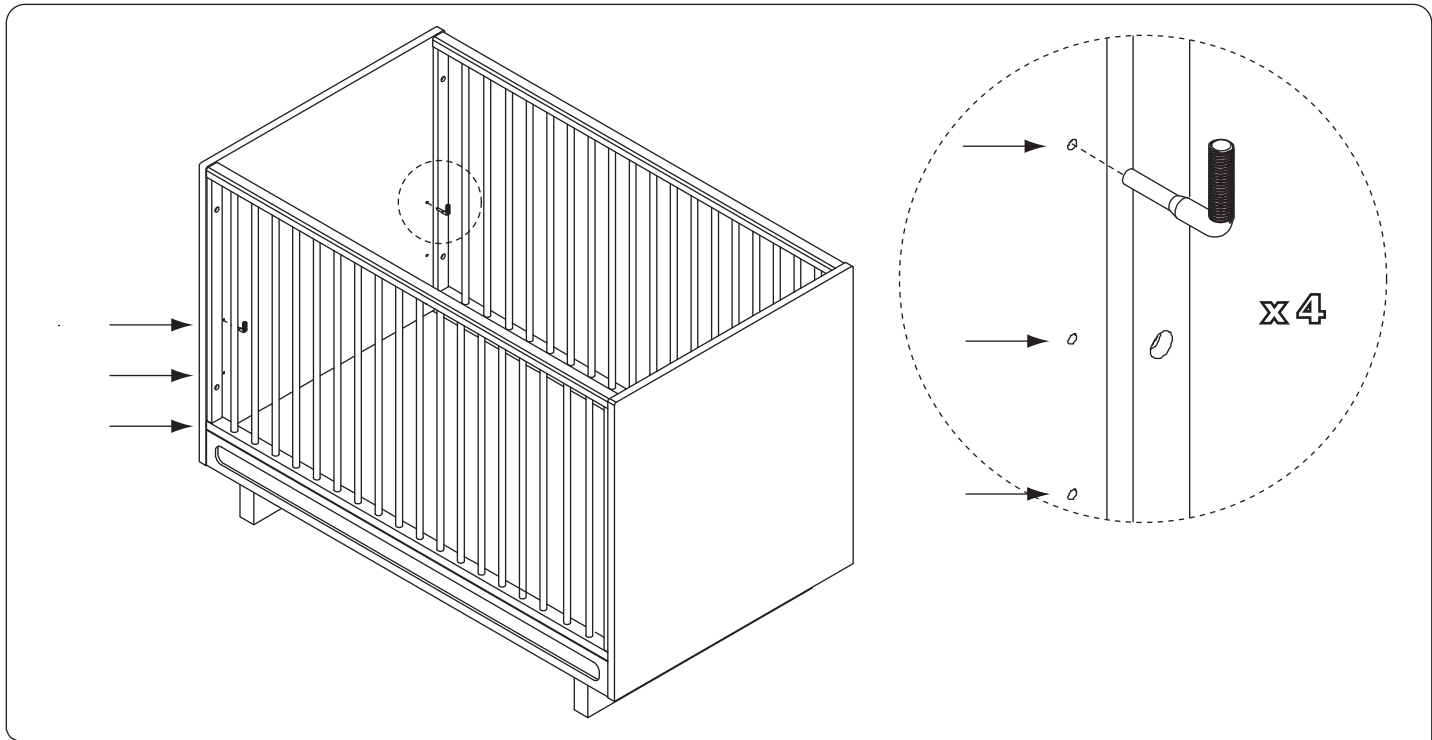
**2** Fit **base panels** into corresponding holes of **side panels**. With a **small Allen wrench**, secure each corner with 1 **large bolt**, 1 **spring washer**, 1 **flat washer**, and 1 **bracket** as shown. At this point, fully tighten **medium bolts** in **legs**.



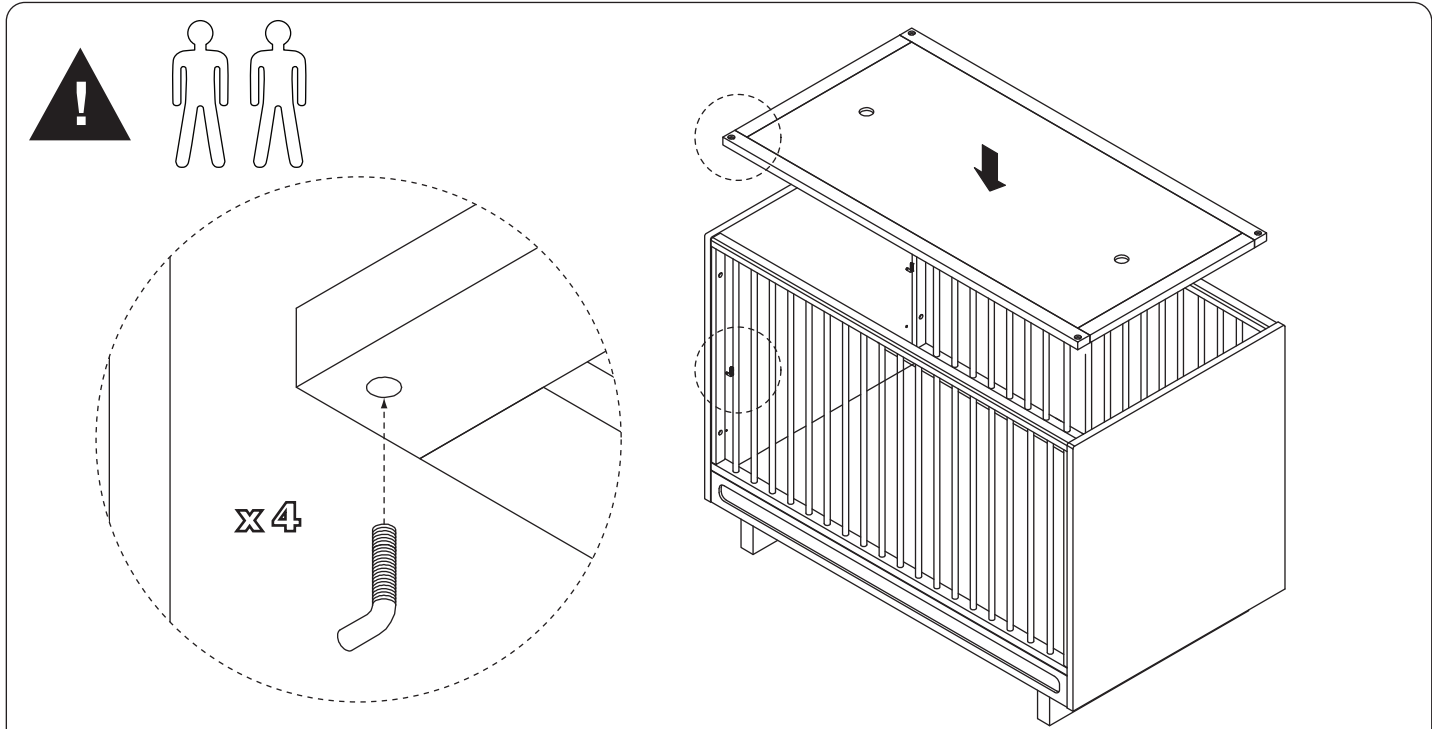
**3** Place **bottom panel** into assembly as shown. Make sure panel is securely supported.



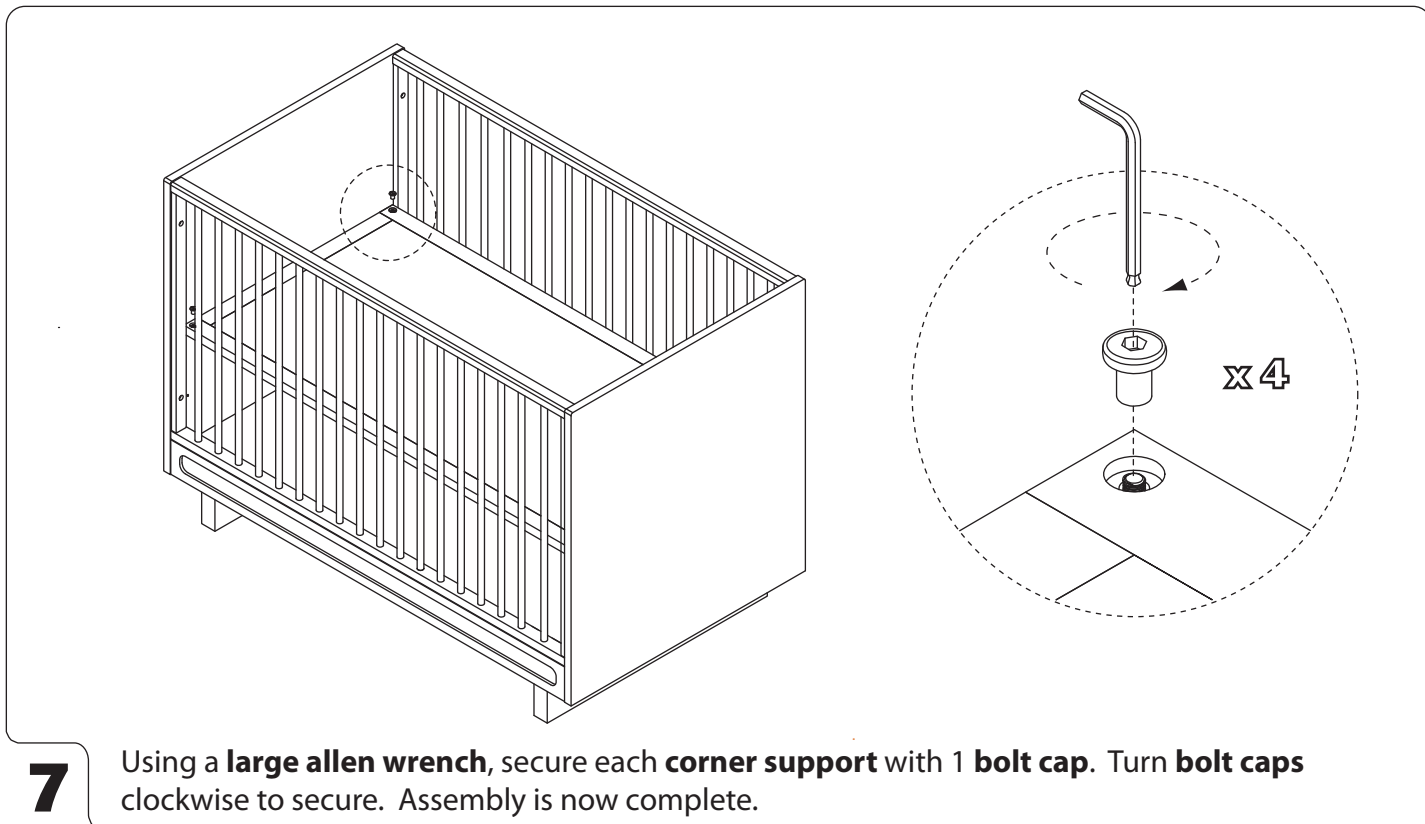
**4** With a **small Allen wrench**, attach each **side panel** to **end panels** with 4 **small bolts**, 4 **spring washers** and 4 **flat washers** as shown.



**5** Determine the desired height (low, middle, high) for the crib mattress. Insert 1 **corner support** into each corner of the crib assembly as shown.



**6** With assistance of another adult, carefully place **mattress support** into the crib assembly and onto the corresponding **corner supports**.



**CLEANING AND CARE:**

Clean surfaces with a dry or damp soft cloth. Do not use abrasive cleaners. Periodically check and tighten hardware as necessary.

---

Once the crib is in use, periodically check to make sure all bolts are tight, and tighten as necessary. Keep these instructions for future use.

### **MAINTENANCE**

Upon completion of assembly, be sure all screws, bolts and fastening devices have been tightened securely. Periodically repeat this check to make sure all screws, bolts and fastening devices are tight. Before each usage or assembly, inspect crib for damaged hardware, loose joints, missing parts or sharp edges. DO NOT use crib if parts are missing or broken. DO NOT substitute parts. DO NOT make any alteration to this crib.

### **CLEANING**

Mix together a mild solution of gentle dishwashing liquid and water, apply to crib surface using a soft clean cloth lightly dampened in the solution. Rinse with clean water again using a soft clean cloth, then dry all surfaces thoroughly with a soft dry cloth. NO ABRASIVE CLEANERS, SCOURING PADS, STEEL WOOL OR COARSE RAGS SHOULD BE USED TO CLEAN THIS FINE FURNITURE.

### **STORAGE**

After completing the assembly process you are advised to read and beware of all WARNINGS, CAUTIONS, CLEANING, STORAGE, USE AND MAINTENANCE notices contained in these instructions. For long term storage of the crib, store in a cool, dry place and keep away from moisture and extreme temperature changes.