



**⚠ WARNING:**

Failure to follow these warnings and the instructions could result in serious injury or death  
Read all instructions BEFORE assembly and USE of product. KEEP INSTRUCTIONS FOR FUTURE USE.

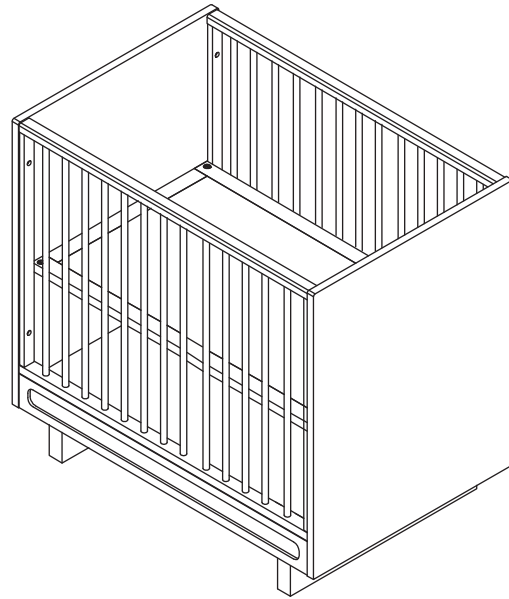
Infants can suffocate

- In gaps between a mattress too small or too thick and product sides; and
- On soft bedding
- NEVER add a mattress, pillow, comforter or padding

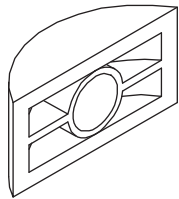
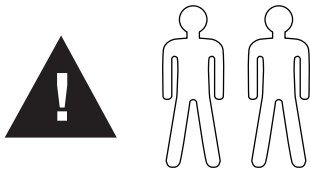
**⚠ WARNING:**

- The product must be completely constructed prior to use..
- Strings can cause strangulation! Never place items with a string around a child's neck such as hood strings or pacifier cords. Never suspend strings over the crib or attach strings to toys.
- Discontinue use of the crib when child is able to climb out or reaches the height of 35 inches (890 mm).
- Child can become entrapped and die when improvised netting or covers are placed on top of the crib. Never add such items to confine child in the crib.
- When child is able to pull to a standing position, set mattress support to lowest level, remove bumper pads, large toys, and other objects that could serve as steps for climbing out.
- Never place the crib near a window where cords from blinds or drapes can strangle a child.
- Use ONLY mattress provided by The Land of Nod, which must be at least 38 inches long by 24 inches wide and not more than 4.25 inches thick.
- Always provide the supervision necessary for the continued safety of your child. When used for playing, never leave child unattended.
- To reduce the risk of SIDS, pediatricians recommend healthy infants be placed on their back to sleep, unless otherwise advised by your own physician.
- Never use this product in there are any loose or missing fasteners, loose joints, or broken parts. Check before assembly and periodically during use. Contact The Land of Nod for replacement parts. Never substitute parts.
- Never use plastic shipping bags or other plastic film as mattress covers not sold and intended for that purpose. They can cause suffocation.
- Never use a water mattress with this product.
- If refinishing, use a nontoxic finish specified for children's products.

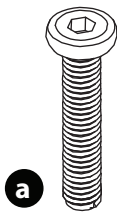
This page lists the contents included in the box. Please take time to identify the hardware as well as the individual components of the product. As you unpack and prepare for assembly, place the contents on a carpeted or padded area to protect them from damage. Please follow the assembly instructions closely. Improper assembly can result in personal or property damage.



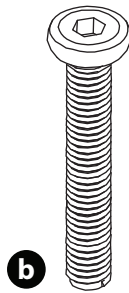
**Note: 2 adults are required to safely assemble this product.**



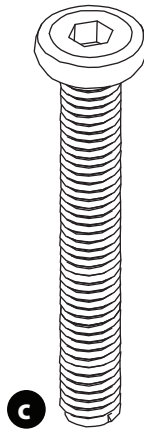
4 - Brackets



8 - Small bolts



8 - Medium bolts



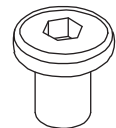
4 - Large bolts



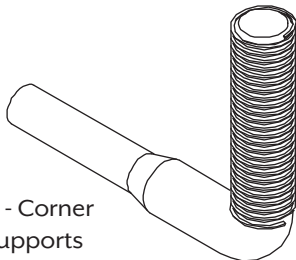
20 - Flat washers



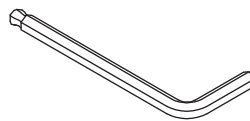
20 - Spring washers



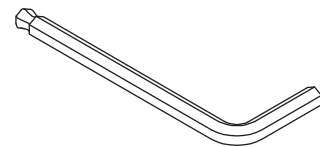
4 - Bolt caps



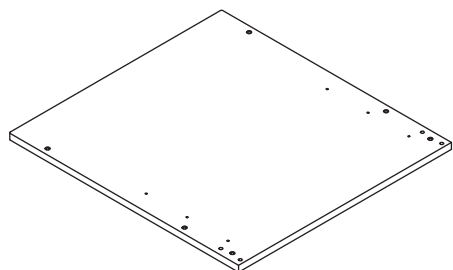
4 - Corner supports



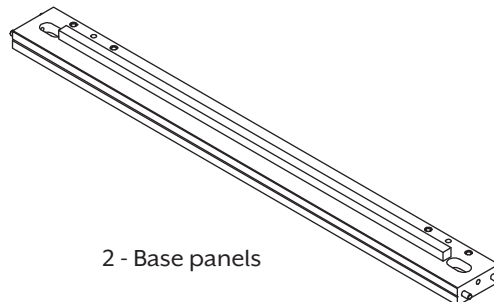
1 - Small Allen wrench



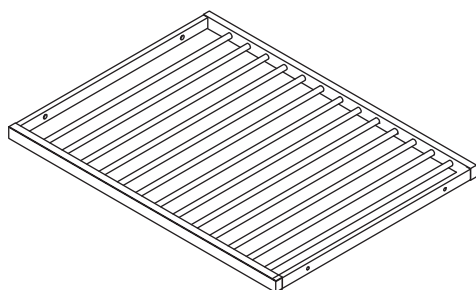
1 - Large Allen wrench



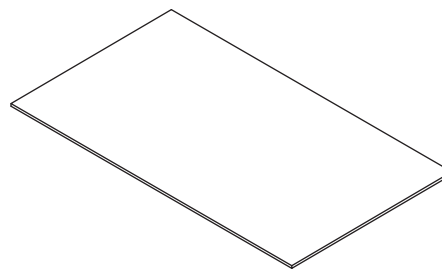
2 - End panels



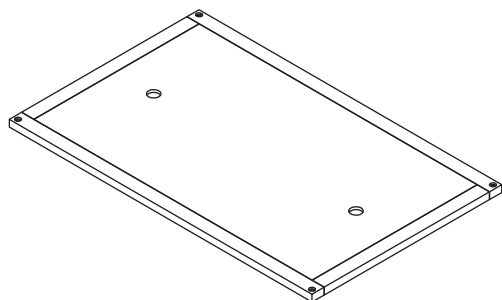
2 - Base panels



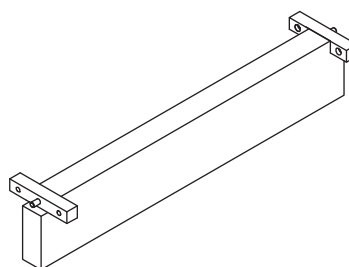
2 - Side panels



1 - Bottom panel



1 - Mattress support

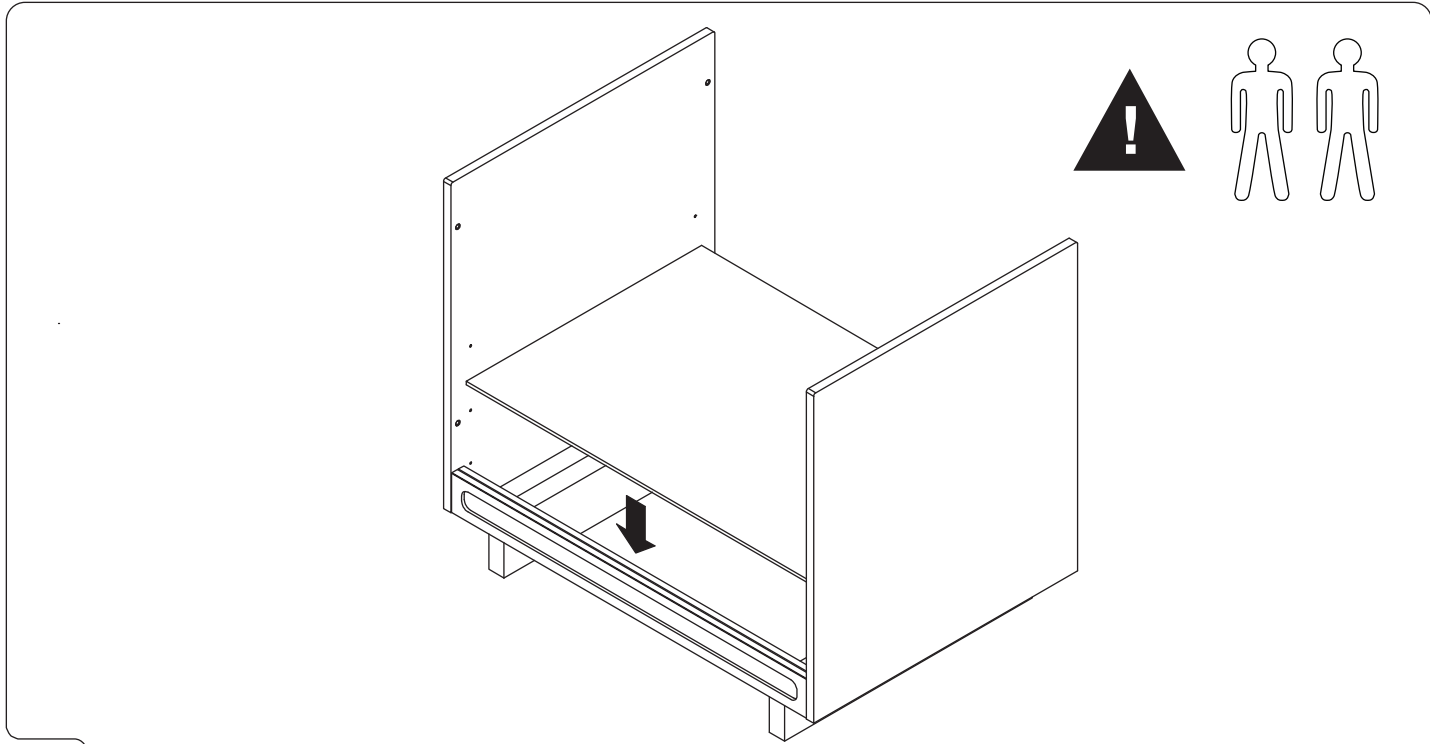


2 - Legs

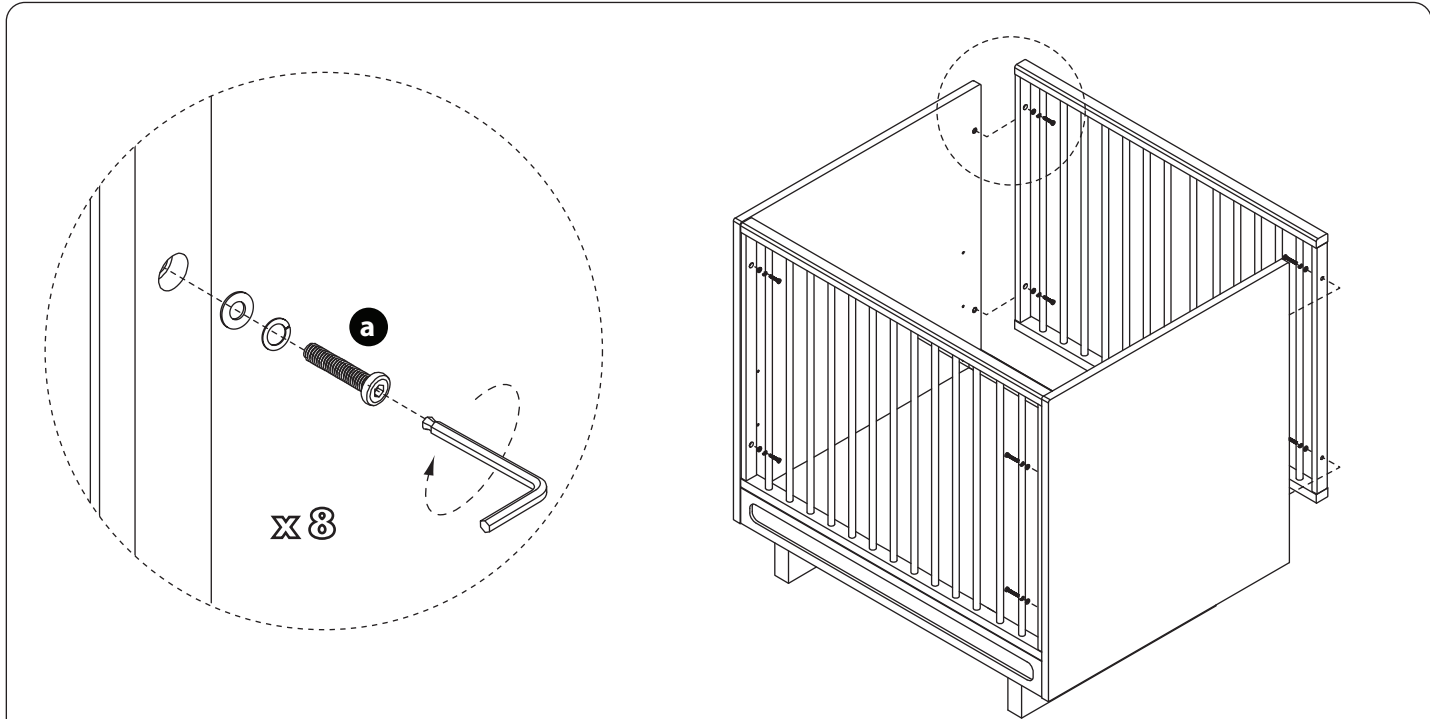
**1** With a **small Allen wrench**, attach 2 **legs** to each **base panel** with 4 **medium bolts**, 4 **spring washers** and 4 **flat washers** as shown.

**NOTE: Do not fully tighten**

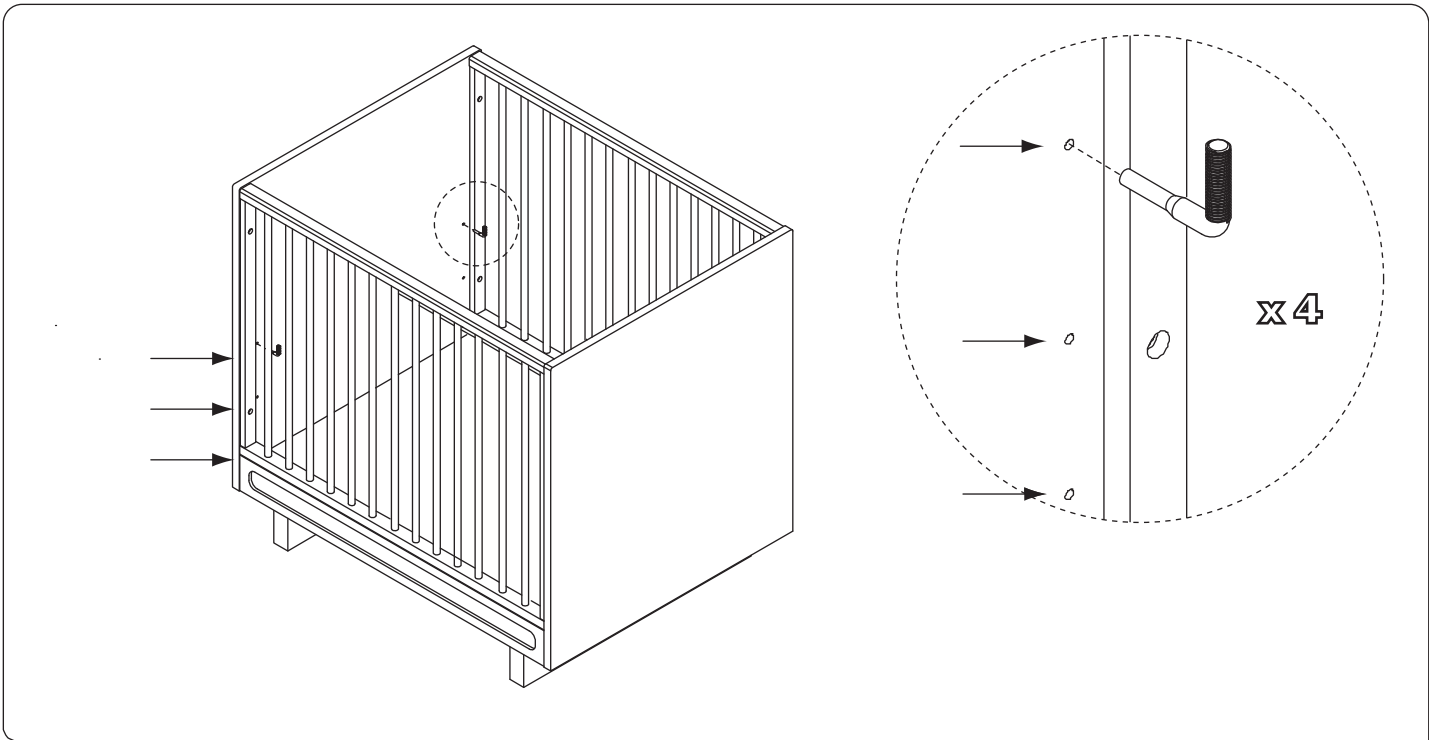
**2** Fit **base panels** into corresponding holes of **side panels**. With a **small Allen wrench**, secure each corner with 1 **large bolt**, 1 **spring washer**, 1 **flat washer**, and 1 **bracket** as shown. At this point, fully tighten **medium bolts** in **legs**.



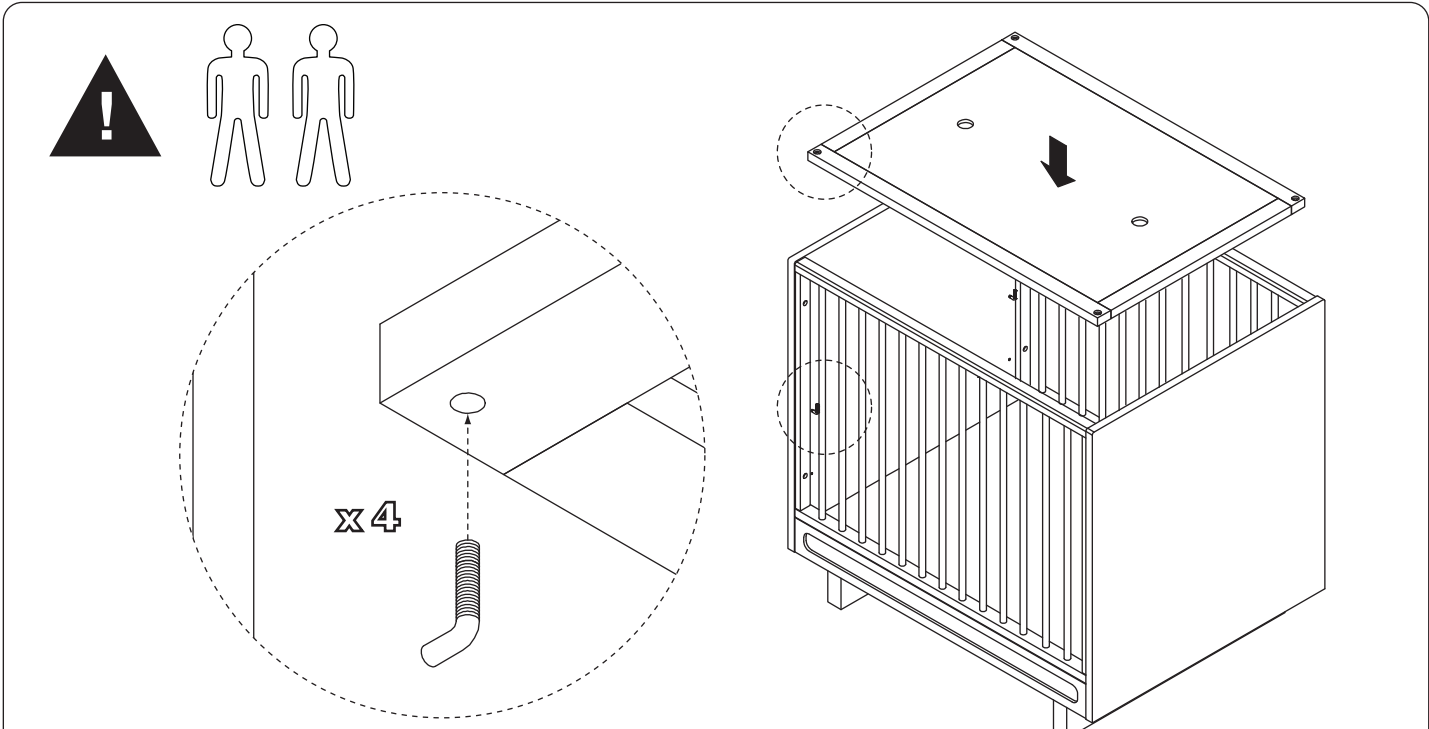
**3** Place **bottom panel** into assembly as shown. Make sure panel is securely supported.



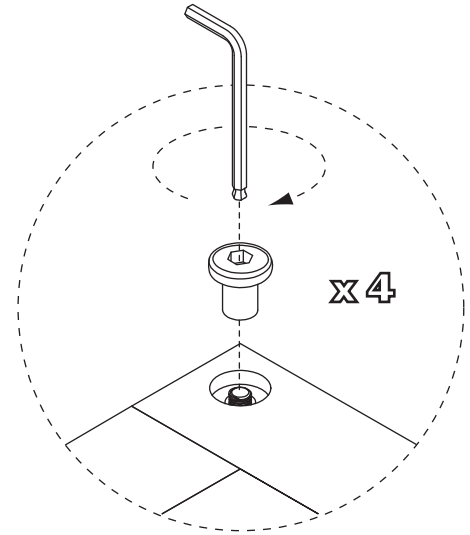
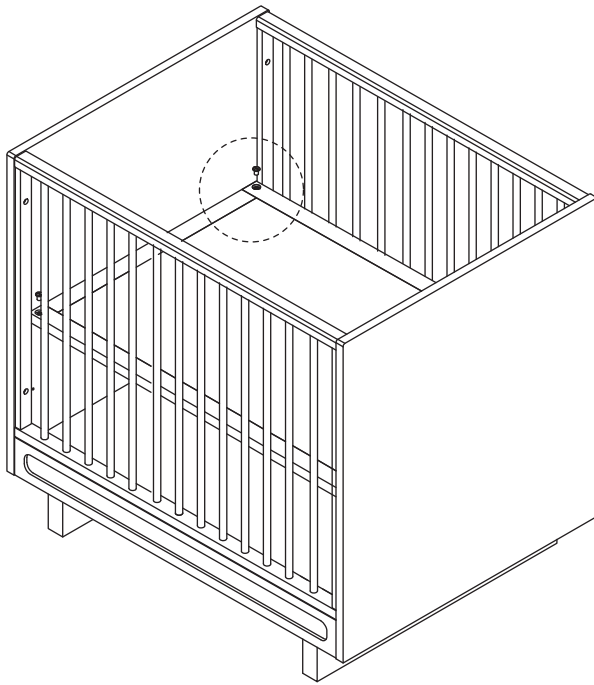
**4** With a **small Allen wrench**, attach each **side panel** to **end panels** with 4 **small bolts**, 4 **spring washers** and 4 **flat washers** as shown.



**5** Determine the desired height (low, middle, high) for the crib mattress. Insert 1 **corner support** into each corner of the crib assembly as shown.

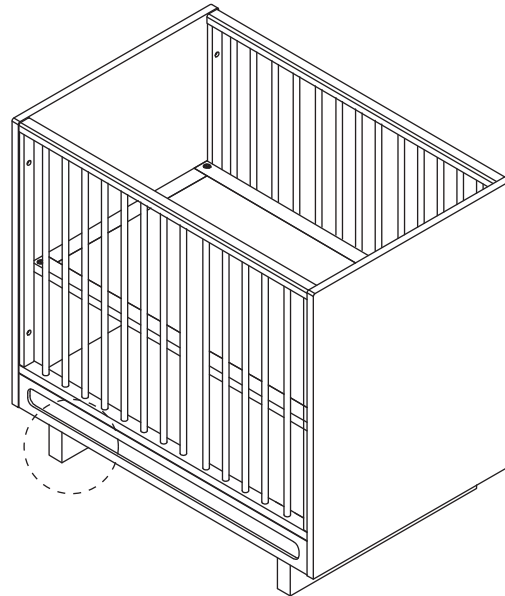
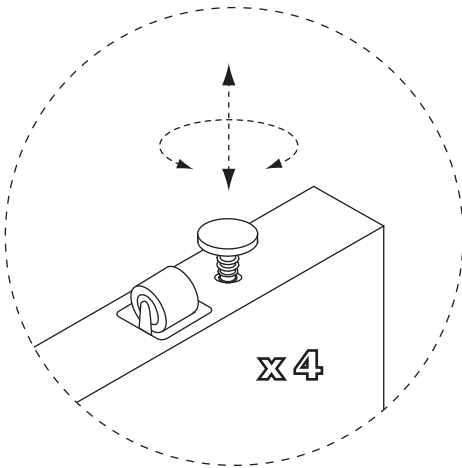


**6** With assistance of another adult, carefully place **mattress support** into the crib assembly and onto the corresponding **corner supports**.



7

Using a **large allen wrench**, secure each **corner support** with 1 **bolt cap**. Turn **bolt caps** clockwise to secure.



8

After (re)positioning the crib, please be sure to engage the **levelers** as illustrated to prevent unintentional crib movement. Assembly is now complete.

**CLEANING AND CARE:**

Clean surfaces with a dry or damp soft cloth. Do not use abrasive cleaners. Periodically check and tighten hardware as necessary.

---

Once the crib is in use, periodically check to make sure all bolts are tight, and tighten as necessary. Keep these instructions for future use.

### **MAINTENANCE**

Upon completion of assembly, be sure all screws, bolts and fastening devices have been tightened securely. Periodically repeat this check to make sure all screws, bolts and fastening devices are tight. Before each usage or assembly, inspect crib for damaged hardware, loose joints, missing parts or sharp edges. **DO NOT** use crib if parts are missing or broken. **DO NOT** substitute parts. **DO NOT** make any alteration to this crib.

### **CLEANING**

Mix together a mild solution of gentle dishwashing liquid and water, apply to crib surface using a soft clean cloth lightly dampened in the solution. Rinse with clean water again using a soft clean cloth, then dry all surfaces thoroughly with a soft dry cloth. **NO ABRASIVE CLEANERS, SCOURING PADS, STEEL WOOL OR COARSE RAGS SHOULD BE USED TO CLEAN THIS FINE FURNITURE.**

### **STORAGE**

After completing the assembly process you are advised to read and beware of all **WARNINGS, CAUTIONS, CLEANING, STORAGE, USE AND MAINTENANCE** notices contained in these instructions. For long term storage of the crib, store in a cool, dry place and keep away from moisture and extreme temperature changes.