
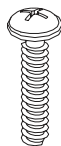


Thank you for purchasing the **Flat Top 60" Bookcase**. This page lists all the contents included in the box. Please take the time to identify the hardware as well as the individual components to this product. As you unpack and prepare for assembly, place the contents on a carpeted or padded area to protect them from damage.

Note: 2 people are required to safely assemble this product.

 **WARNING: Adult Assembly Required**

## ASSEMBLY HARDWARE



15 - bolts



15 - spring washers



15 - flat washers



22 - large screws



8 - small screws



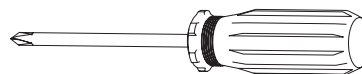
18 - wood dowels



8 - support pins

Missing hardware? Please call **800.933.9904** for replacements.  
NOTE: Contains small parts. Keep away from small children.

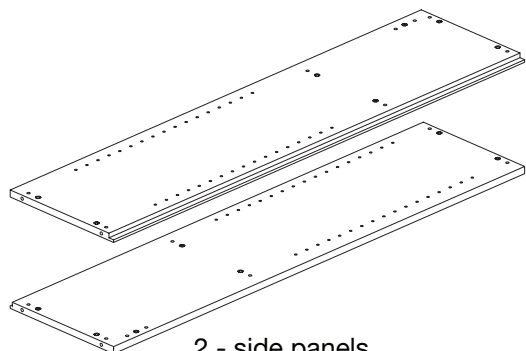
## TOOLS REQUIRED



Phillips head screwdriver

(We recommend the use of hand tools instead of power tools)

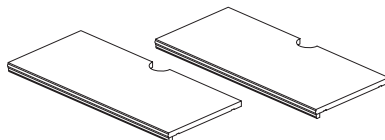
## COMPONENTS



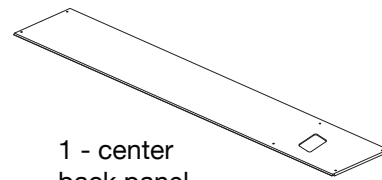
2 - side panels  
(1 left, 1 right)



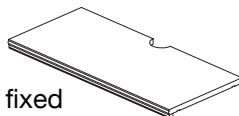
1 - top panel



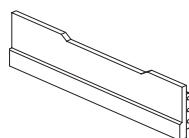
2 - adjustable shelves



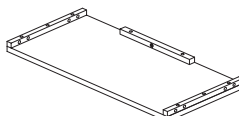
1 - center back panel



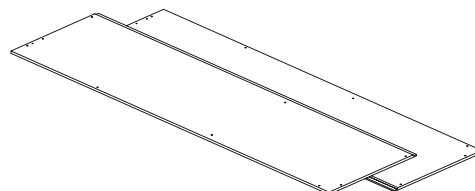
1 - fixed shelf



1 - front panel



1 - bottom panel



2 - back panels  
(1 left, 1 right)

NOTE: Do not over tighten the bolts

top panel

fixed shelf

right side panel

NOTE: Make sure front apron of each panel are positioned as shown

**1**

A. Insert 8 **wood dowels** into **right side panels** as shown.

B. Fit dowels of **right side panel** into **top panel** and **fixed shelf** with 2 **bolts**, 2 **spring washers** and 2 **flat washers**. Secure, but do not over tighten bolts with a **philips head screwdriver**.

bottom panel

front panel

right side panel

**2**

A. Insert 2 **wood dowels** into **bottom panel** and fit into **front panel** as shown.

B. Fit **bottom and front panels** into dowels of **right side panel**.

C. Secure **bottom panel** to **right side panel** with 2 **bolts**, 2 **spring washers** and 2 **flat washers** as shown. Secure **front panel** to **right side panel** with 1 **bolt**, 1 **spring washer** and 1 **flat washer** as shown.

left side panel

**3**

A. Insert 8 **wood dowels** into **left side panel**.

B. Fit dowels of **left side panel** into assembly and secure assembly with 7 **bolts**, 7 **spring washers** and 7 **flat washers** as shown.

C. Secure **bottom and front panel** with 1 **bolt**, 1 **spring washer** and 1 **flat washer** as shown.

NOTE: Do not over tighten the screws

left back panel

center back panel

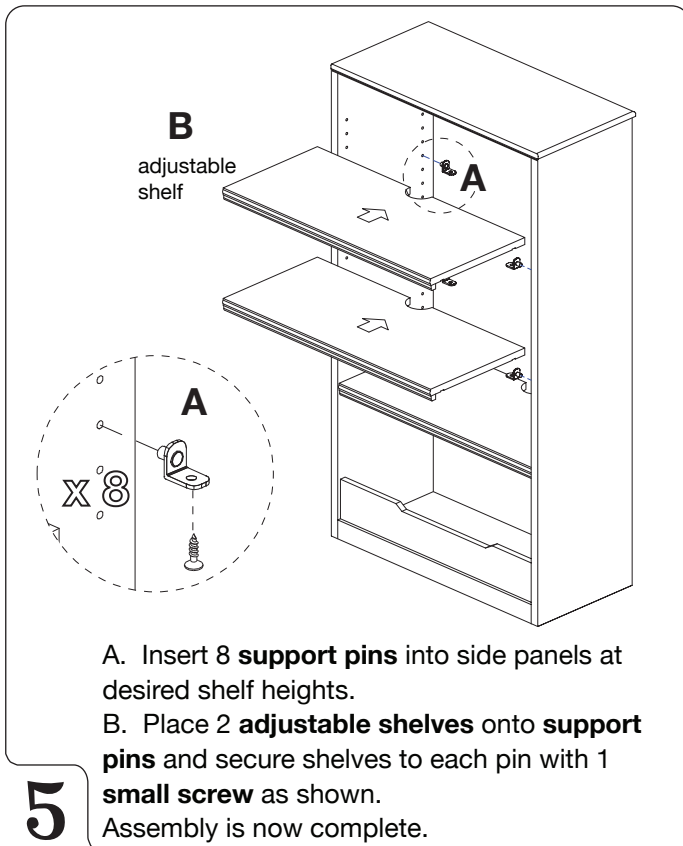
right back panel

**4**

A. With the assistance of another adult, position unit upright. Attach **left back panel** to assembly with 8 **screws**, using a screwdriver. Do not over tighten.

B. Attach **center back panel** with 6 **screws**.

C. Attach **right back panel** to assembly with 8 **screws**, using a screwdriver.



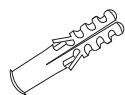
## CLEANING AND CARE

Clean surfaces with a dry or damp soft cloth. Do not use abrasive cleaners. Do not use furniture wax or polish as the unit is finished with a protective clear lacquer.

# ! WARNING

**Serious or fatal crushing injuries can occur from furniture tip over. Use of tip-over restraints may only reduce, but not eliminate, the risk of tip-over. To help prevent tip-over, install tip restraint per instructions below.**

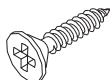
## MOUNTING HARDWARE



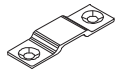
4 - plastic anchors



4 - small screws



4 - large screws



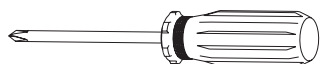
4 - mounting brackets



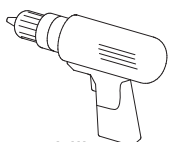
2 - wall straps

Missing hardware? Please call **800.933.9904** for replacements. NOTE: Contains small parts. Keep away from small children.

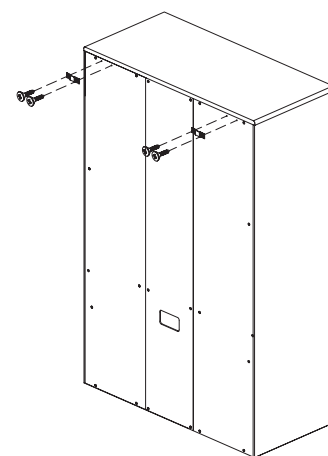
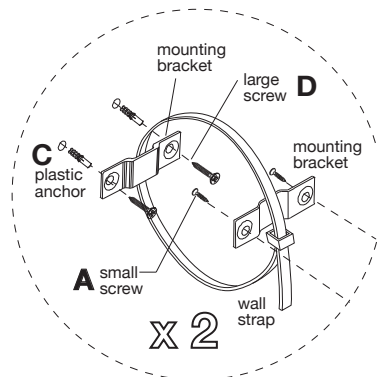
## TOOLS REQUIRED



phillips head screwdriver



power drill  
(for pilot holes only)



## WALL MOUNTING ASSEMBLY

For added safety and stability, it is recommended that the wall mounting hardware be installed. For safe mounting, it is essential to use wall anchors appropriate to your wall type (i.e. plaster, drywall, concrete, etc.). Mount to wood studs whenever possible.

- A) Attach 2 **mounting brackets** to back of unit using 2 **small screws** per bracket as shown.
- B) Determine the final location of unit. Mark position on the wall, approximately 2" below each wall bracket mounted to the back of the unit.
- C) Drill holes into marked positions on the wall and into a wall stud. If the wall stud is not available, drill a hole in the wall that is slightly smaller in diameter than the anchor. Gently tap 4 **plastic anchors** until the flange of each anchor is flush with the wall.
- D) Attach 2 **mounting brackets** to the wall by inserting 2 **large screws** per bracket. Using a screwdriver, make sure each screw is secured through the mounting bracket and into the plastic anchor in the wall.
- E) With assistance of another adult, position the unit so the mounting brackets on the back edge are aligned with the mounting brackets on the wall.
- F) Attach 2 **wall straps** to corresponding mounting brackets as shown. Lace one end of the **wall strap** through both brackets and into the other end of the strap. Pull tightly on the wall strap to secure.

Wall mounting assembly is now complete.