

Thank you for purchasing the **Here, There, Anywhere Square Play Table**. This page lists all the contents included in the box. Please take the time to identify the hardware as well as the individual components to this product. As you unpack and prepare for assembly, place the contents on a carpeted or padded area to protect them from damage.

Note: 2 people are required to safely assemble this product.

 **WARNING: Adult Assembly Required**

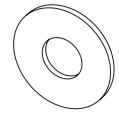
### HARDWARE



8 - hex nuts



8 - spring washers

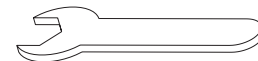


8 - flat washers

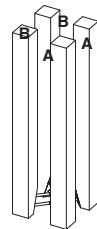
Missing hardware? Please call **800.933.9904** for replacements.  
NOTE: Contains small parts. Keep away from small children.

### TOOLS REQUIRED

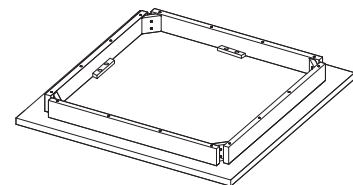
hex wrench (included)



### COMPONENTS



4 - legs  
(2 labeled A, 2 labeled B)



1 - tabletop

### ASSEMBLY

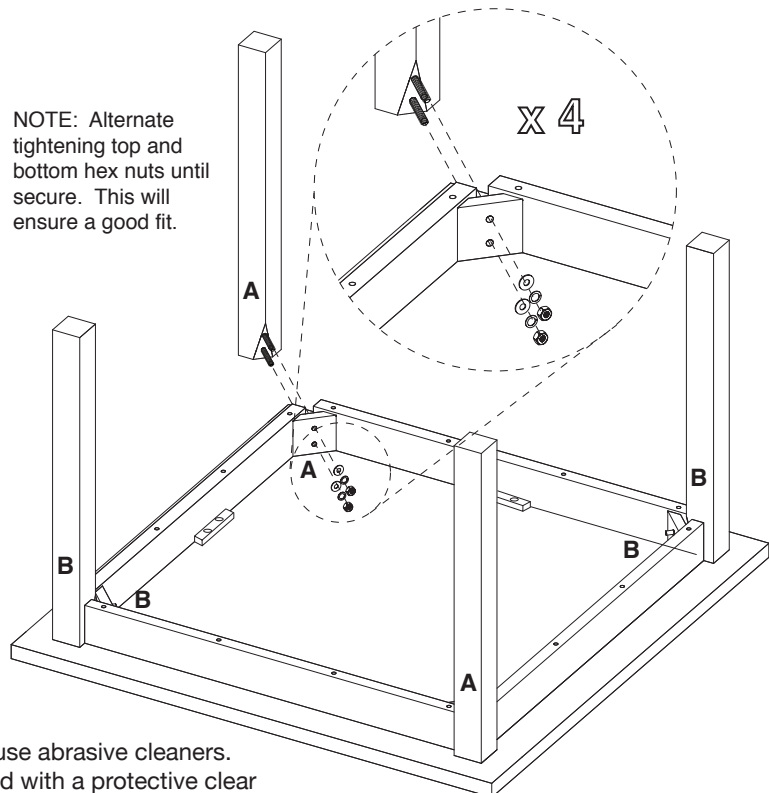
Place **tabletop** upside down onto a clean, padded surface as shown.

Fit threaded bolts of **leg (A)** into corresponding holes of **tabletop**, labeled A. Attach each **leg (A)** with 2 **hex nuts**, 2 **spring washers** and 2 **flat washers** as shown. Do not fully tighten the nuts. Repeat steps for remaining **leg (A)**.

Fit threaded bolts of **leg (B)** into corresponding holes of **tabletop**, labeled B. Attach each **leg (B)** with 2 **hex nuts**, 2 **spring washers** and 2 **flat washers** as shown. Do not fully tighten the nuts. Repeat steps for remaining **leg (B)**.

At this point, alternate tightening top and bottom hex nuts with a **hex wrench**. With assistance from another adult, position unit upright. Assembly is now complete.

NOTE: Alternate tightening top and bottom hex nuts until secure. This will ensure a good fit.



### CLEANING AND CARE

Clean surfaces with a dry or damp soft cloth. Do not use abrasive cleaners. Do not use furniture wax or polish as the unit is finished with a protective clear lacquer.