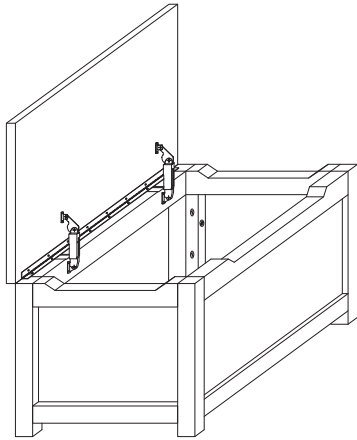


 **WARNING**

Failure to install lid supports can cause injury. Follow all installation instructions provided:

- The purpose of the lid supports is to prevent the lid from closing too quickly.
- After installation check lid support to ensure that the lid stays open in any position.
- It is important to check the lid supports frequently to ensure that they are working properly.

If the lid supports are not holding properly please contact The Land of Nod.



Thank you for purchasing the **I m Just a Toy Box**. This page lists all the contents included in the box. Please take the time to identify the hardware as well as the individual components to this product. As you unpack and prepare for assembly, place the contents on a carpeted or padded area to protect them from damage.

Note: 2 people are required to safely assemble this product.

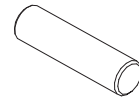
HARDWARE



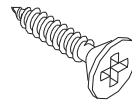
18 - flat washers



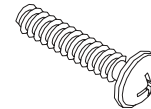
18 - spring washers



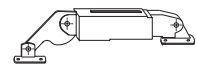
12 - wood dowels



16 - screws



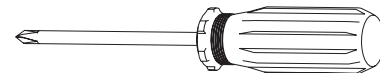
18 - bolts



2 - hinges

Missing hardware? Please call **800.933.9904** for replacements.
NOTE: Contains small parts. Keep away from small children.

TOOLS REQUIRED

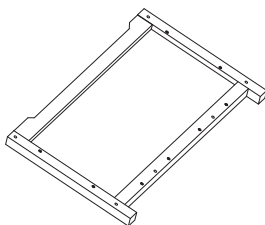


phillips head screwdriver

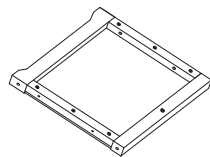
(We recommend the use of hand tools instead of power tools)

! WARNING: Adult Assembly Required

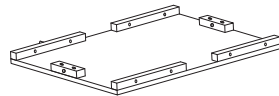
COMPONENTS



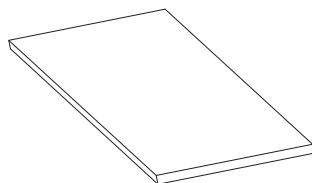
1 - front panel



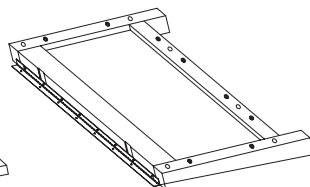
2 - side panels
(1 left, 1 right)



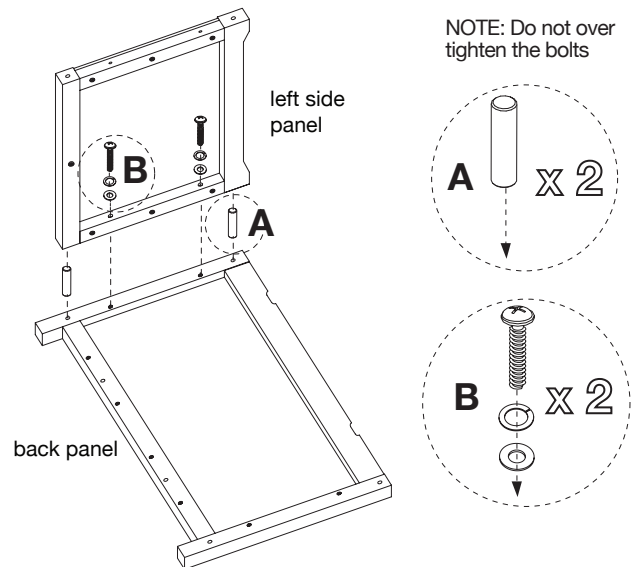
1 - bottom panel



1 - top panel



1 - back panel



1 A) Insert 2 **wood dowels** into **left side panel** as shown.
B) Fit dowels of **left side panel** into corresponding holes of **back panel**. Attach **side panel** to **back panel** with 2 **bolts**, 2 **spring washers** and 2 **flat washers**. Secure, but do not over tighten, bolts using a **phillips head screwdriver**.

bottom panel

A X 2

B X 4

NOTE: Make sure hinge bracket of back panel is facing upwards and towards the back

2 A) Insert 2 wood dowels into bottom panel as shown.
B) Fit dowels of bottom panel into corresponding holes of back panel. Secure bottom panel to back panel with 4 bolts, 4 spring washers and 4 flat washers, using a screwdriver.

A X 2

B X 2

right side panel

back panel

3 A) Insert 2 wood dowels into right side panel as shown.
B) Fit dowels of right side panel into corresponding holes of back panel. Secure side panel to back panel with 2 flat washers, 2 spring washers and 2 bolts, using a screwdriver.

A X 6

B X 8

front panel

4 A) Insert 6 wood dowels into bottom panel and side panels as shown.
B) Fit dowels of bottom panel and side panels into corresponding holes of front panel. Secure front panel to side panels and bottom panel with 8 bolts, 8 spring washers and 8 flat washers, using a screwdriver.

5 Secure bottom panel to side panels. Secure side panel to bottom panel with 2 flat washers, 2 spring washers and 2 bolts as shown, using a screwdriver.

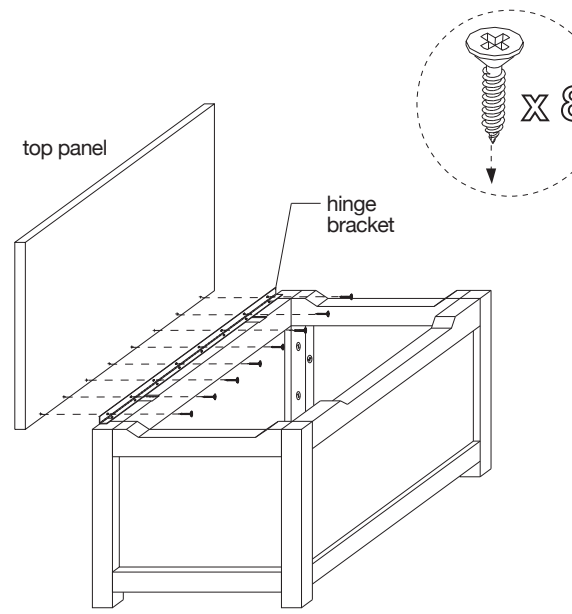


Diagram 6 shows a perspective view of a toy box frame with the top panel tilted upwards. A hinge bracket is attached to the front edge of the frame. Eight screws are shown being inserted into the top panel to secure it to the hinge bracket. A circular inset shows a close-up of a screw with the text 'X 8' next to it. Labels 'top panel' and 'hinge bracket' are present.

6 Position unit upright as shown. Attach **top panel** to *hinge bracket* of assembly with 8 **screws**. Secure, but do not over tighten, screws using a **phillips head screwdriver**.

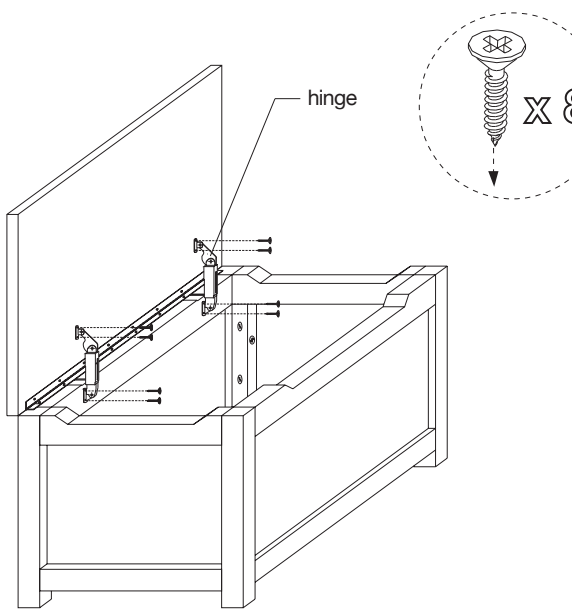


Diagram 7 shows the toy box with the top panel closed. Two hinges are being attached to the top edge of the front panel. Each hinge is secured with four screws. A circular inset shows a close-up of a screw with the text 'X 8' next to it. A label 'hinge' points to one of the hinges.

7 Attach 2 **hinges** to assembled unit with 4 **screws** per hinge as shown. Carefully close **top panel**. Assembly is now complete.

CLEANING AND CARE

Clean surfaces with a dry or damp soft cloth. Do not use abrasive cleaners. Do not use furniture wax or polish as the unit is finished with a protective clear lacquer.