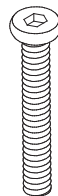


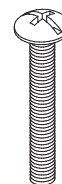
Thank you for purchasing the **Jenny Lind Desk**. This page lists all the contents included in the box. Please take the time to identify the hardware as well as the individual components to this product. As you unpack and prepare for assembly, place the contents on a carpeted or padded area to protect them from damage. Note: 2 people are required to safely assemble this product.

⚠ WARNING: Adult Assembly Required

HARDWARE



8 - large bolts



2 - pull bolts



6 - small screws



8 - spring washers



8 - flat washers



4 - caps

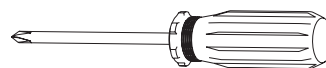


2 - pulls

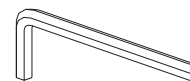
Missing hardware? Please call **800.933.9904** for replacements.

NOTE: Contains small parts. Keep away from small children.

TOOLS REQUIRED



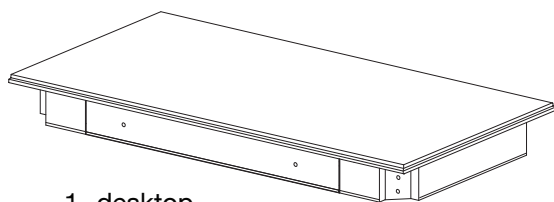
phillips head screwdriver



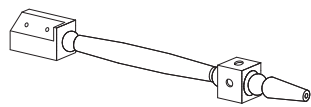
allen wrench (included)

(We recommend the use of hand tools instead of power tools)

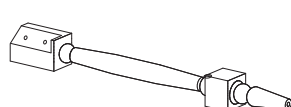
COMPONENTS



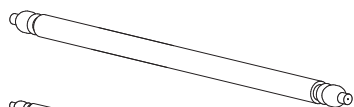
1 - desktop



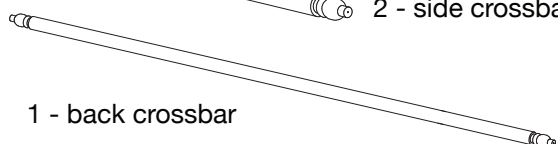
2 - back legs



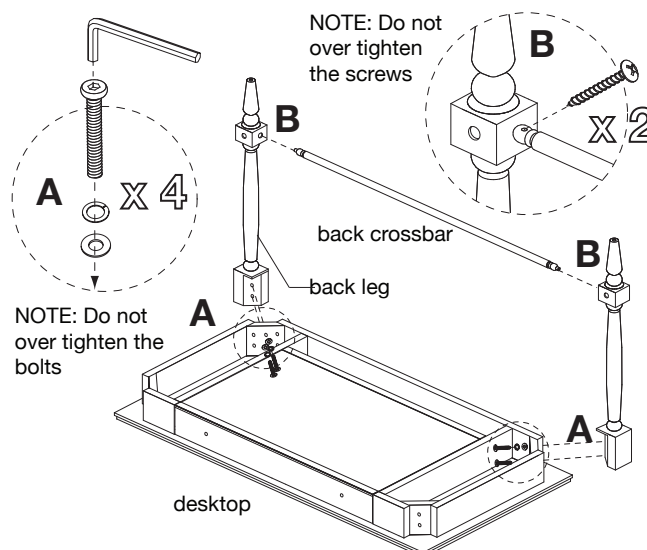
2 - front legs
(1 left, 1 right)



2 - side crossbars



1 - back crossbar



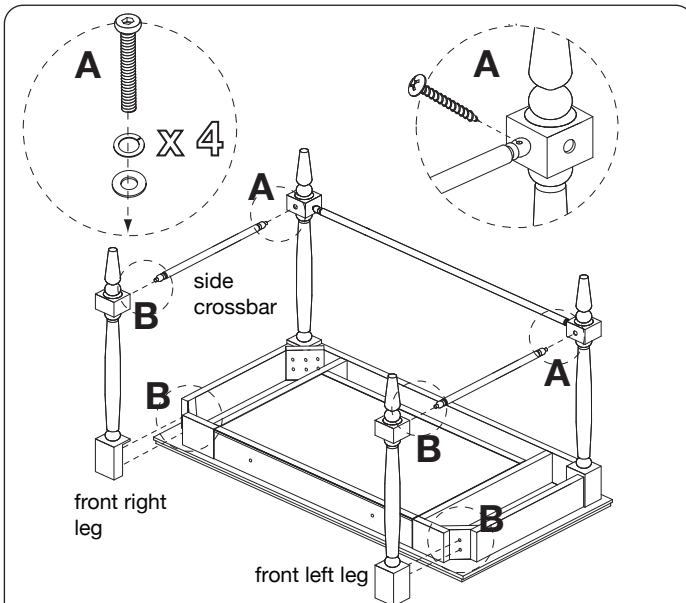
NOTE: Do not over tighten the screws

NOTE: Do not over tighten the bolts

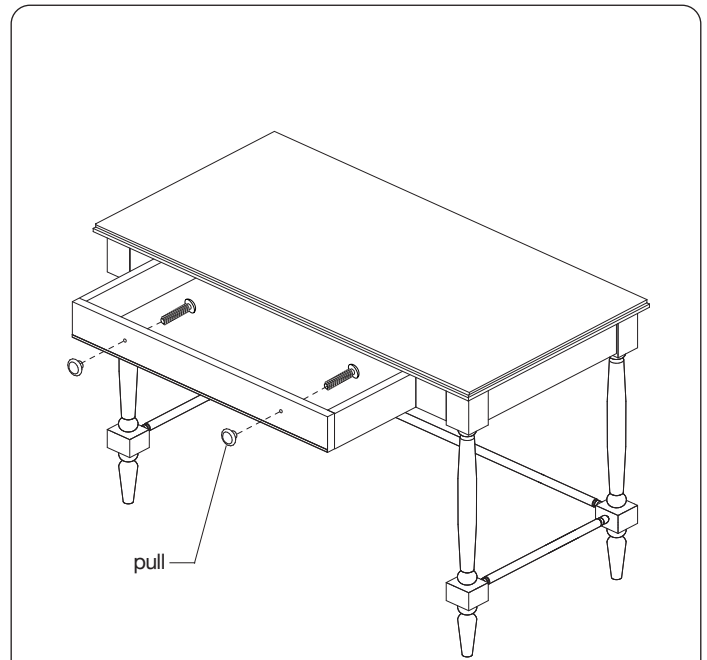
A. Place **desktop** upside down onto a clean, padded surface. Loosely secure 2 **back legs** to **desktop** with 4 **large bolts**, 4 **spring washers** and 4 **flat washers** using an **allen wrench**.

B. Attach **back crossbar** to **back legs** with 2 **small screws** as shown. Fully secure, but do not over tighten, small screws using a **phillips head screwdriver** and bolts using an **allen wrench**.

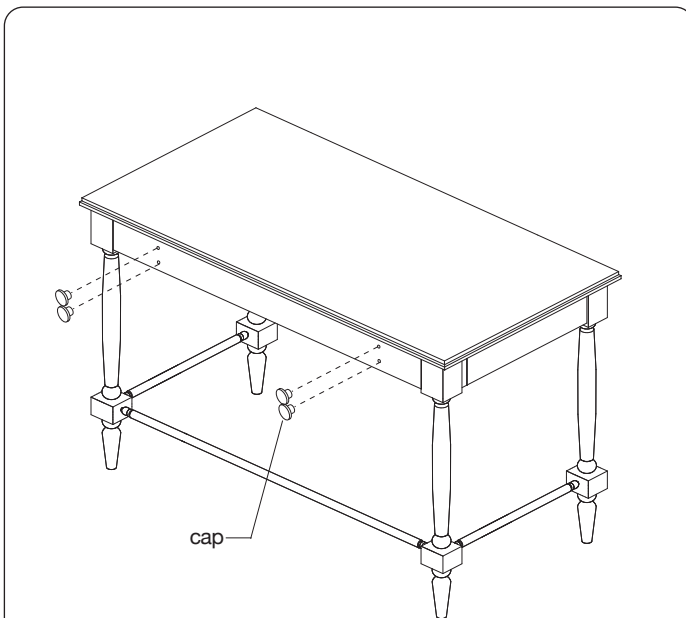
1



- 2**
- A) Secure each **side crossbar** to **back legs** with 1 **small screw**.
- B) Attach **front left and right legs** and 2 **side crossbars** to assembly as shown. Secure each leg with 2 **large bolts**, 2 **spring washers** and 2 **flat washers**. Secure each crossbar with 1 **small screw**.



- 3**
- With the assistance of another adult, place unit upright. Attach 2 **pulls** with 2 **pull bolts** using a screwdriver.



- 4**
- If *Jenny Lind Mirror* (sold separately) is not attached, fit 4 **caps** into holes on back of unit as shown. Assembly is now complete.

CLEANING AND CARE

Clean surfaces with a dry or damp soft cloth. Do not use abrasive cleaners. Do not use furniture wax or polish as the unit is finished with a protective clear lacquer.