



## WARNING

Discontinue use if damaged, broken or if parts are missing.

Suffocation and Strangulation Hazard.

Death or Serious Injury Can Occur.

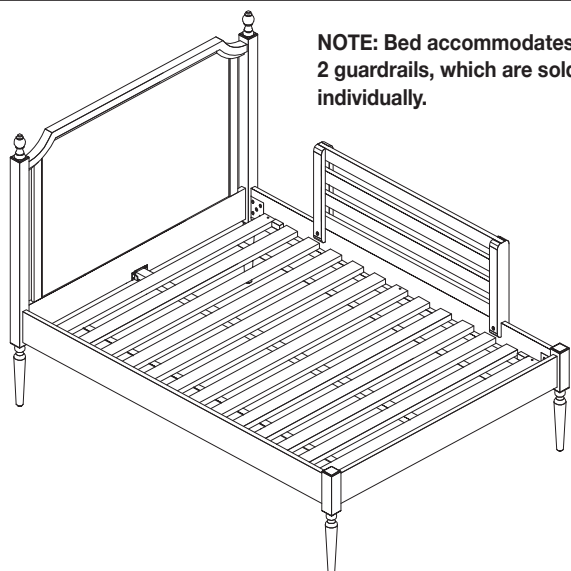
Infants who cannot get in and out of a juvenile bed without help can be trapped between a mattress and a wall and suffocate.

NEVER place infants in juvenile beds with or without a bed rail.

### **BED RAIL USE:**

Bed rail can trap young children against mattress, headboard, or footboard.

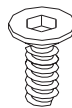
- Use only for children who have outgrown a crib. NEVER use in place of crib.
- Use only with children who can get in and out of juvenile bed without help (typically two years and up).
- ALWAYS keep bed rail pushed firmly against mattress and at least 9 inches from headboard and footboard.
- NEVER use on toddler bed, bunk bed, water bed, or bed with inflatable mattress. Use only on juvenile bed with mattress.
- Discontinue use if damaged, broken or if parts are missing.



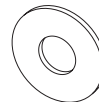
NOTE: Bed accommodates 2 guardrails, which are sold individually.

Thank you for purchasing the **Jenny Lind or Petite Marguerite Guardrail**. This page lists all the contents included in the box. Please take the time to identify the hardware as well as the individual components to this product. As you unpack and prepare for assembly, place the contents on a carpeted or padded area to protect them from damage. Note: 2 people are required to safely assemble this product.

### HARDWARE



2 - bolts



2 - flat washers



2 - spring washers

Missing hardware? Please call **800.933.9904** for replacements. NOTE: Contains small parts. Keep away from small children.



**WARNING: Adult Assembly Required**

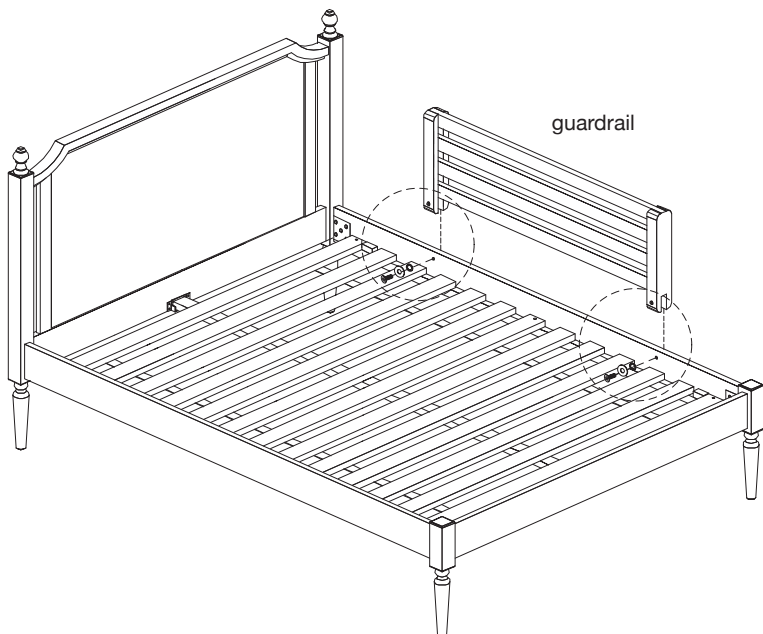
### TOOLS REQUIRED



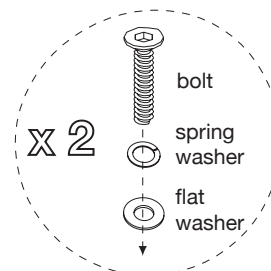
allen wrench (included)

(We recommend the use of hand tools instead of power tools)

### ASSEMBLY



Attach **guardrail** to bed assembly as shown with **2 bolts**, **2 spring washers** and **2 flat washers**. Secure screws with **allen wrench**. If needed, repeat step for second guardrail. Assembly is now complete.



### CLEANING & CARE

Clean surfaces with a dry or damp soft cloth. Do not use abrasive cleaners.