
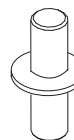


Thank you for purchasing the **Modern Wall Rack**. This page lists all the contents included in the box. Please take the time to identify the hardware as well as the individual components to this product. As you unpack and prepare for assembly, place the contents on a carpeted or padded area to protect them from damage. Note: 2 people are required to safely assemble this product.

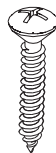
 **WARNING:** Adult Assembly Required

ASSEMBLY HARDWARE



8 - shelf pins

MOUNTING HARDWARE



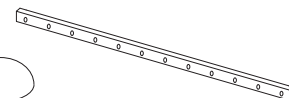
4 - screws



4 - plastic anchors



2 - screw plugs

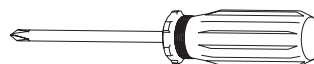


1 - mounting bracket

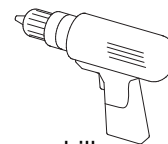
Missing hardware? Please call **800.933.9904** for replacements.

NOTE: Contains small parts. Keep away from small children.

TOOLS REQUIRED

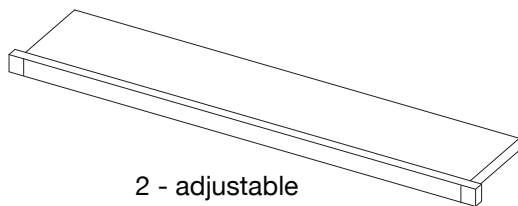


phillips head screwdriver

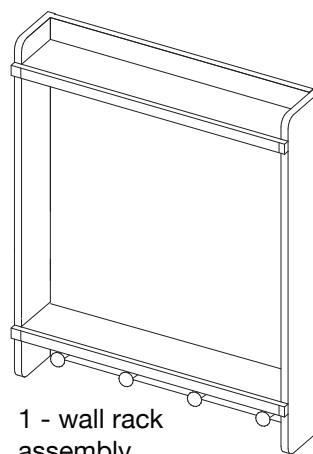


power drill
(for pilot holes only)

COMPONENTS



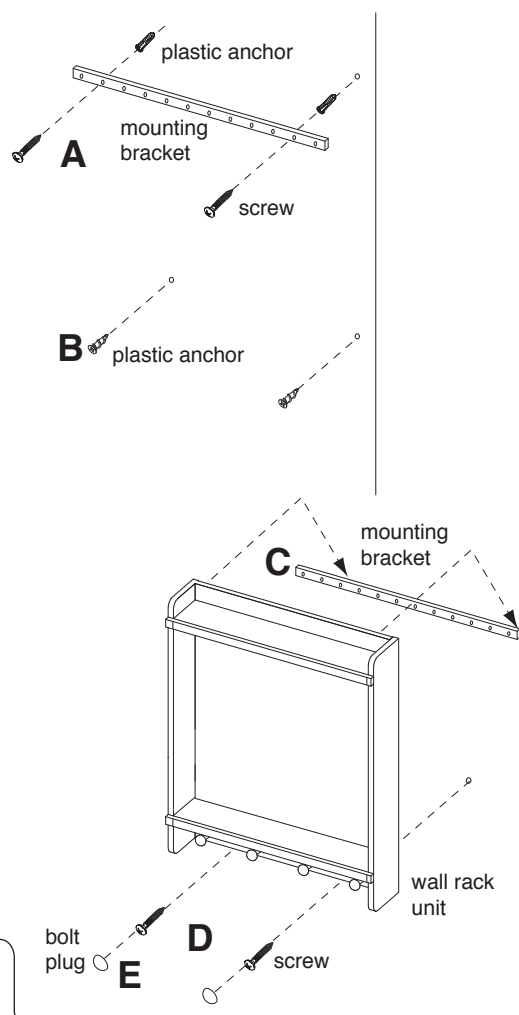
2 - adjustable shelves



1 - wall rack assembly

CLEANING AND CARE

Clean surfaces with a dry or damp soft cloth. Do not use abrasive cleaners. Do not use furniture wax or polish as the unit is finished with a protective clear lacquer.



For added safety and stability, it is recommended that the wall mounting hardware be installed. For safe mounting, it is essential to use wall anchors appropriate to your wall type (i.e. plaster, drywall, concrete, etc.). Mount to wood studs whenever possible.

A) Determine the final location of unit. Position **mounting bracket** on the wall and mark 2 hole positions as shown. Drill holes into marked positions and into a wall stud. If a wall stud is not available, drill a hole in the wall that is slightly smaller in diameter than the anchor. Gently tap 2 **plastic anchors** until the flange of each anchor is flush with the wall. Attach **mounting bracket** with 2 **screws**. Using a **phillips head screwdriver**, make sure each bolt is secured through the mounting bracket and into the plastic anchor in the wall.

B) With the assistance of another adult, place **wall rack unit** on to **mounting bracket** and mark bottom 2 hole positions on the wall. Remove wall rack unit and set aside. Drill holes into marked positions on the wall and into a wall stud. If the wall stud is not available, drill a hole in the wall that is slightly smaller in diameter than the anchor. Insert 2 **plastic anchors** until the flange of each anchor is flush with the wall.

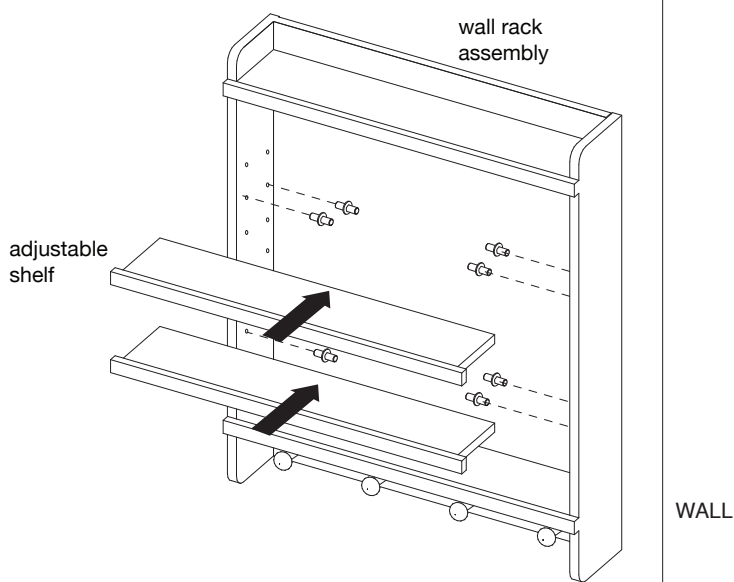
C) Place **wall rack unit** on to **mounting bracket** as shown. Make sure wall rack is securely supported by mounting bracket.

D) Secure bottom of **wall rack unit** to the wall by inserting 2 **screws**. Using a screwdriver, make sure each screw is secured through the mounting bracket and into the plastic anchor in the wall.

E) Attach 2 **bolt plugs** over exposed bolts. Wall mounting is now complete.

1

Insert 8 **shelf pins** into **wall rack assembly** at desired shelf heights as shown. Place **adjustable shelves** onto shelf pins. Make sure each shelf is securely supported by shelf pins. Assembly is now complete.



2