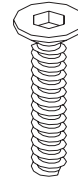


Thank you for purchasing the **Mojo Storage Drawer**. This page lists all the contents included in the box. Please take the time to identify the hardware as well as the individual components to this product. As you unpack and prepare for assembly, place the contents on a carpeted or padded area to protect them from damage.
Note: 2 people are required to safely assemble this product.

HARDWARE



16 - bolts



16 - screws



8 - wood
dowels

Missing hardware? Please call **800.933.9904** for replacements.

NOTE: Contains small parts. To avoid danger of choking, keep away from small children.



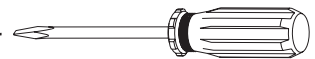
WARNING: Adult Assembly Required

TOOLS REQUIRED

allen wrench (included)

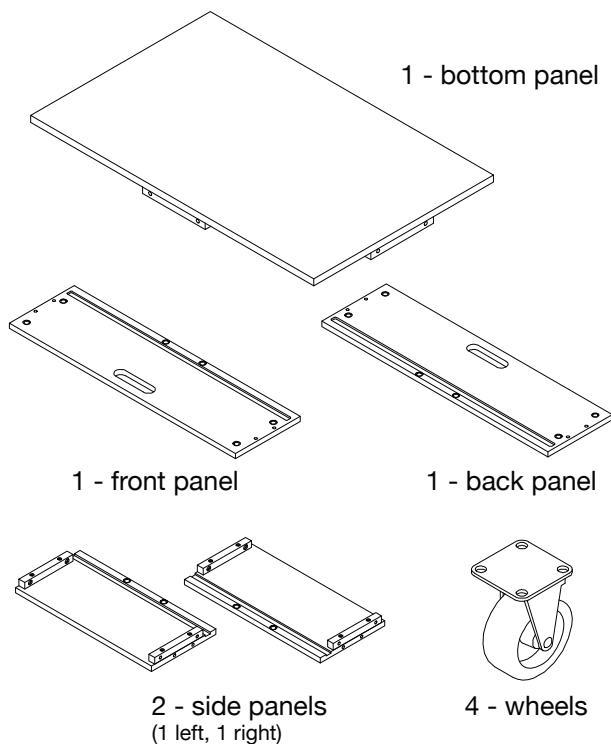


phillips head screwdriver

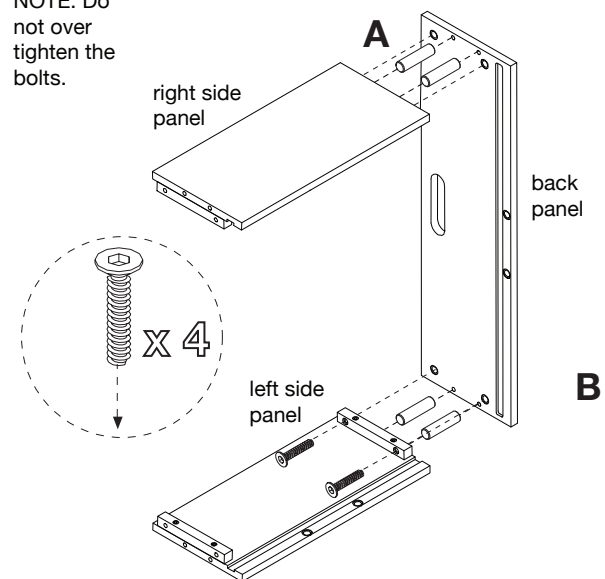


(We recommend the use of hand tools instead of power tools)

COMPONENTS



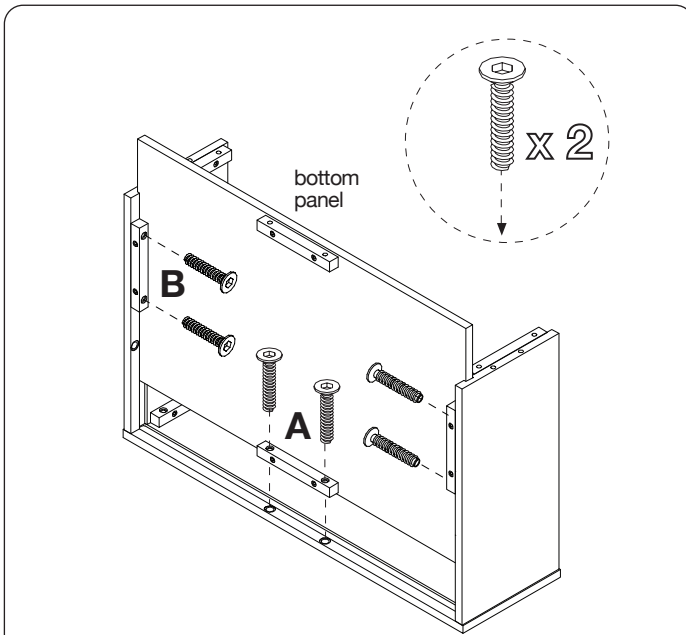
NOTE: Do not over tighten the bolts.



A. Insert 4 **wood dowels** into **back panel** as shown.

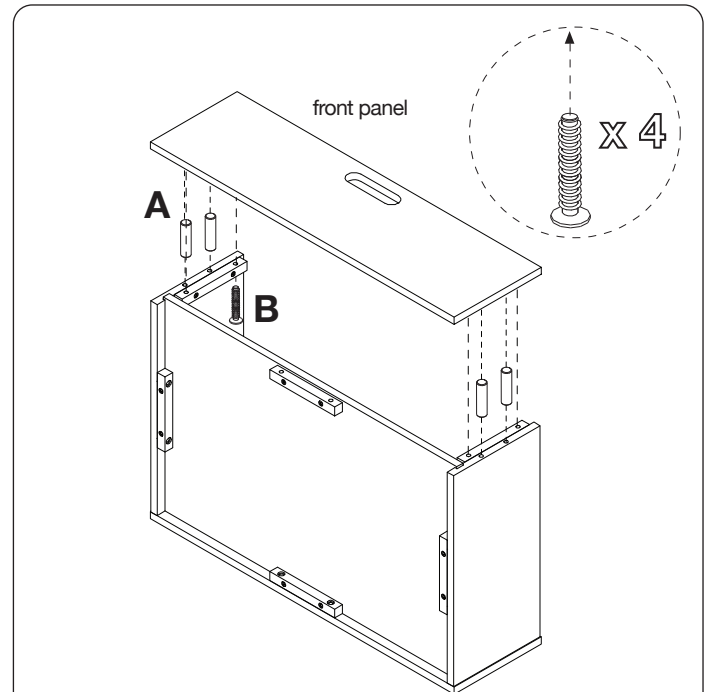
B. Fit dowels of **back panel** into corresponding holes of **left and right side panels**. Secure, but do not over tighten, each side with 2 **bolts** using an **allen wrench**.

1



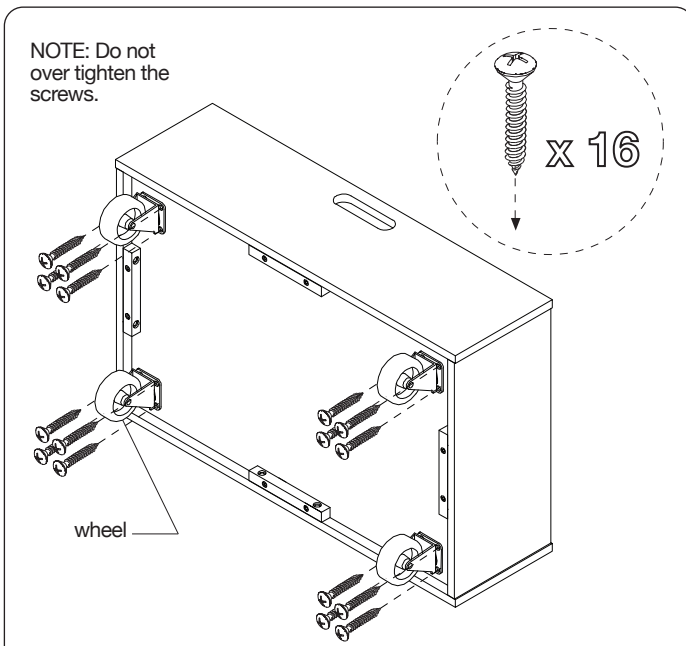
2

A. With the assistance of another adult, position assembly as shown. Fit **bottom panel** into corresponding grooves of assembled unit and secure with 2 **bolts**.
B. Secure **bottom panel** with 4 **bolts** as shown.



3

A. Fit 4 **wood dowels** into assembled unit as shown.
B. Fit dowels into corresponding holes of **front panel**. Secure **front panel** with 4 **bolts** as shown.



4

Attach 4 **wheels** to assembled unit as shown. Secure, but do not over tighten, each **wheel** with 4 **screws** using a **phillips head screwdriver**.
Assembly is now complete.

CLEANING AND CARE

Clean surfaces with a dry or damp soft cloth. Do not use abrasive cleaners. Do not use furniture wax or polish as the unit is finished with a protective clear lacquer.