


Thank you for purchasing the **Nighty Nightstand**. This page lists all the contents included in the box. Please take the time to identify the hardware as well as the individual components to this product. As you unpack and prepare for assembly, place the contents on a carpeted or padded area to protect them from damage. Note: 2 people are required to safely assemble this product.

 **WARNING: Adult Assembly Required**

HARDWARE



8 - large bolts



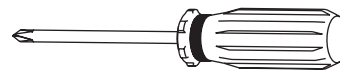
8 - flat washers



8 - spring washers

Missing hardware? Please call **800.933.9904** for replacements. NOTE: Contains small parts. To avoid danger of choking, keep away from small children.

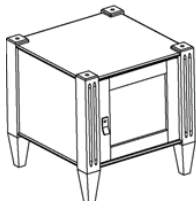
TOOLS REQUIRED



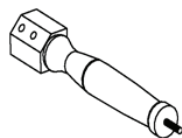
Phillips head screwdriver

(We recommend the use of hand tools instead of power tools)

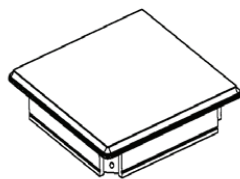
COMPONENTS



1 - nightstand cabinet
(small bolt and pull pre-attached)

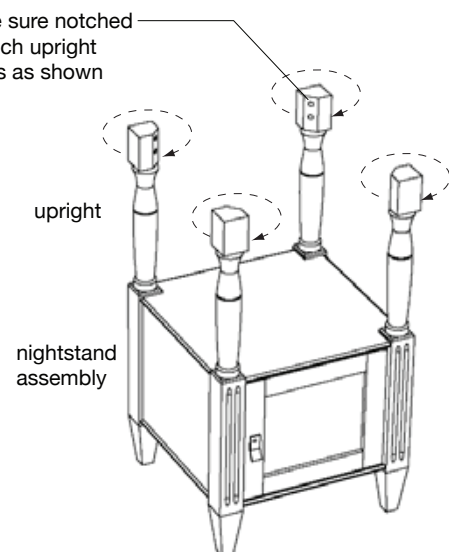


4 - uprights



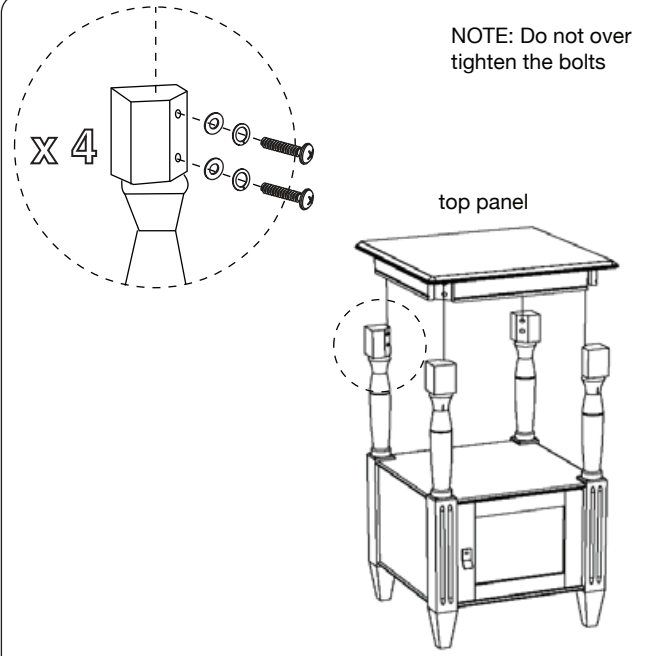
1 - top panel

NOTE: Make sure notched corners of each upright faces inwards as shown



Fit threaded stud of 4 **uprights** into corresponding holes of **nightstand cabinet** as shown. Turn each upright clockwise to secure. Make sure notched corners of each upright faces inwards as shown.

1

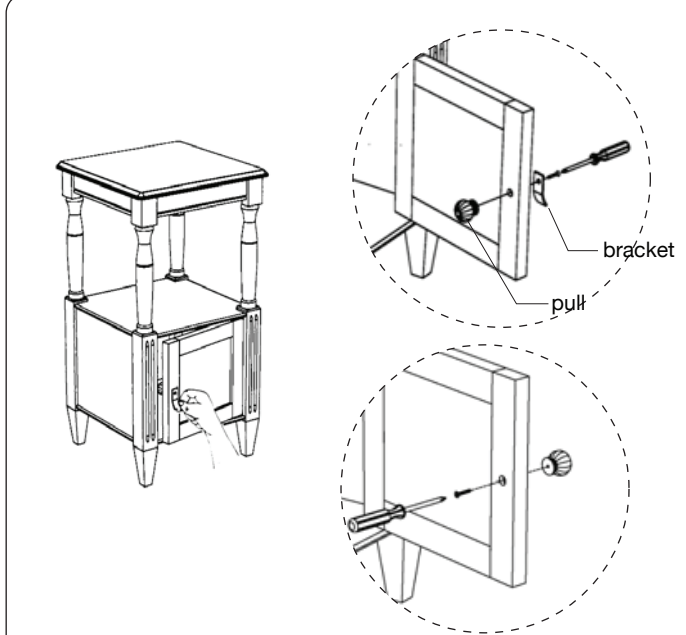


NOTE: Do not over tighten the bolts

top panel

2

Attach **top panel** to assembly with 2 **large bolts**, 2 **spring washers** and 2 **flat washers** per upright. Secure, but do not over tighten, bolts with a **phillip head screwdriver**.



3

A. Remove pre-attached **small bolt** from **pull**. Set hardware aside and discard bracket.

B. Position **pull** as shown and fasten with 1 **small bolt** from inside door. Secure with a screwdriver.

Assembly is now complete.

CLEANING AND CARE

Clean surfaces with a dry or damp soft cloth. Do not use abrasive cleaners. Do not use furniture wax or polish as the unit is finished with a protective clear lacquer.