



WARNING: Failure to follow these warnings and instructions could result in serious injury or death

FALL HAZARD - To help prevent falls, do not use this product when infant begins to roll over, push up on hands and knees or has reached manufacturer's recommended maximum weight of 18 lbs., whichever comes first.

SUFFOCATION HAZARD

- Infants can suffocate:

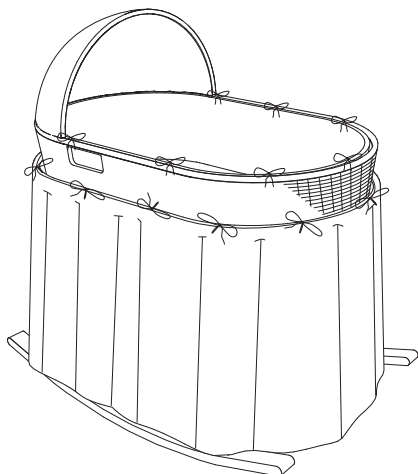
- In gaps between an extra pad and side of the bassinet.
- On soft bedding.
- Never add a mattress, pillow, comforter, or padding.
- Use ONLY the pad and pad cover provided.

To reduce the risks of SIDS, pediatricians recommend healthy infants be placed on their backs to sleep, unless otherwise advised by your physician.

Strings Can Cause Strangulation!

- Do not place bed near windows where cords from blinds or drapes may strangle a child.
- Do not place items with a string, cord, or ribbon around a child's neck, such as hood string or pacifier cords.
- Do not suspend strings over a bassinet or cradle, or attach strings to toys.

* Bassinette is NOT intended for carrying an infant.



Thank you for purchasing the **Nod Bassinette**. This page lists all the contents included in the box. Please take the time to identify the hardware as well as the individual components to this product. As you unpack and prepare for assembly, place the contents on a carpeted or padded area to protect them from damage. Note: 2 people are required to safely assemble this product.

! WARNING: Adult Assembly Required

ASSEMBLY HARDWARE



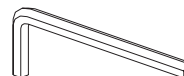
8 - small bolts



4 - large bolts

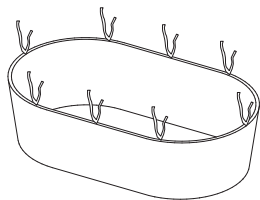
Missing hardware? Please call **800.933.9904** for replacements. NOTE: Contains small parts. Keep away from small children.

TOOLS REQUIRED

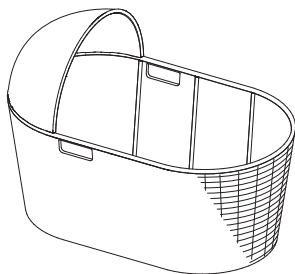


allen wrench (included)

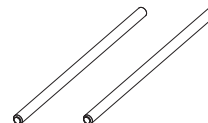
COMPONENTS



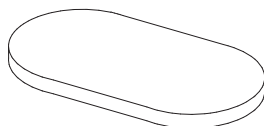
1 - side cushion



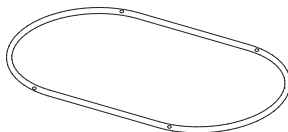
1 - bassinette



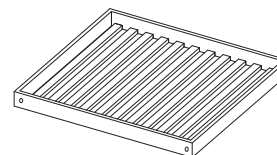
2 - crossbars



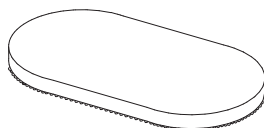
1 - pad



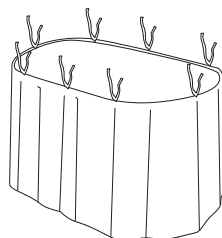
1 - support rail



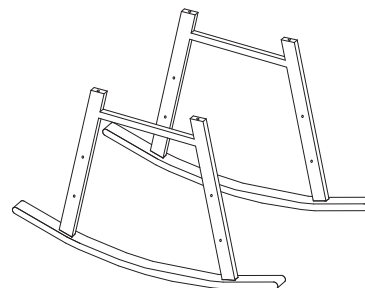
1 - shelf



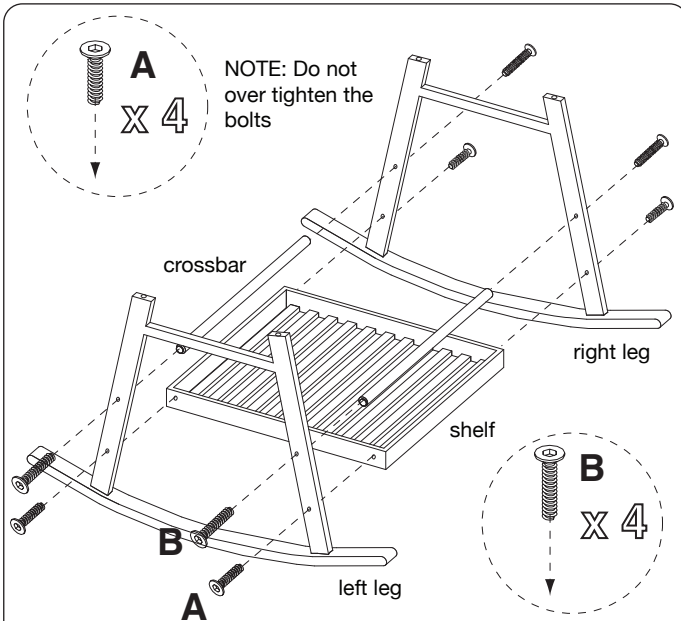
1 - pad cover



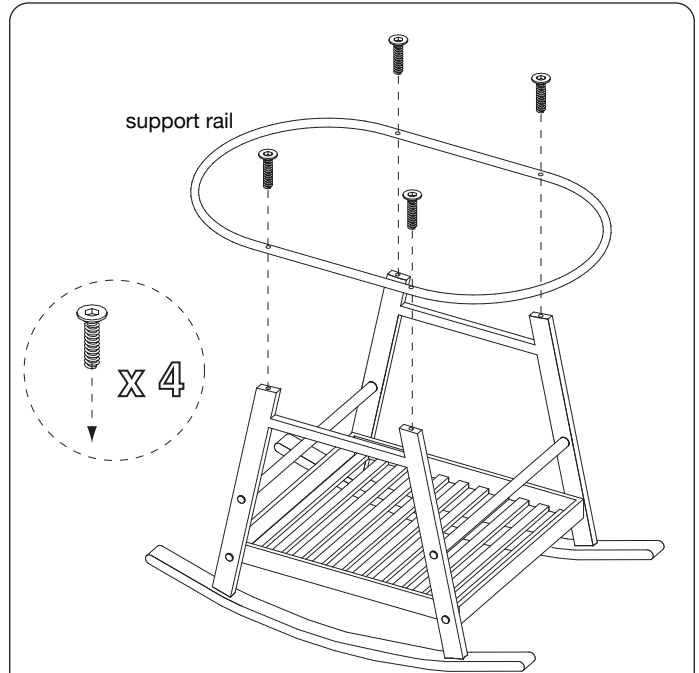
1 - bassinette skirt



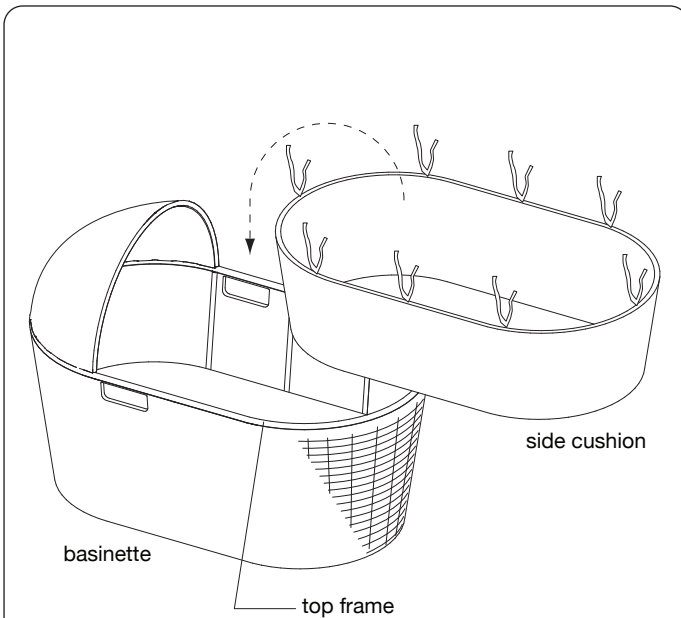
2 - legs
(1 left, 1 right)



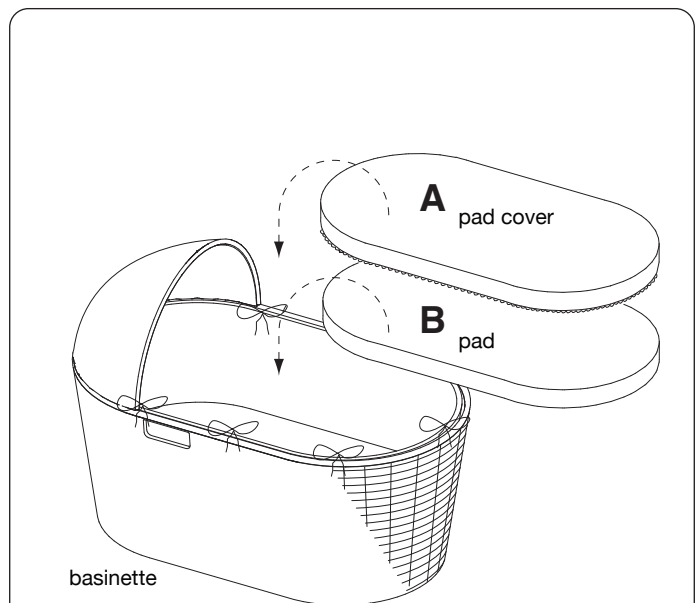
1 A) Attach **left leg** to **shelf** with 2 **small bolts** as shown. Using an **allen wrench**, secure but do not over tighten bolts.
 B) Attach each **crossbar** to **left leg** with 1 **large bolt** as shown, using an allen wrench. Repeat steps for **right leg** as shown.



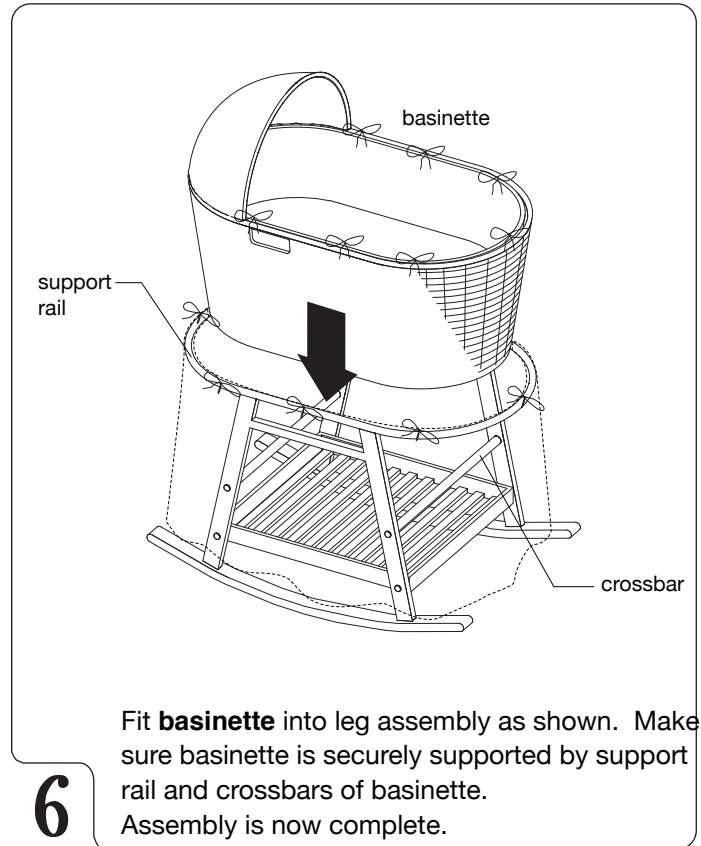
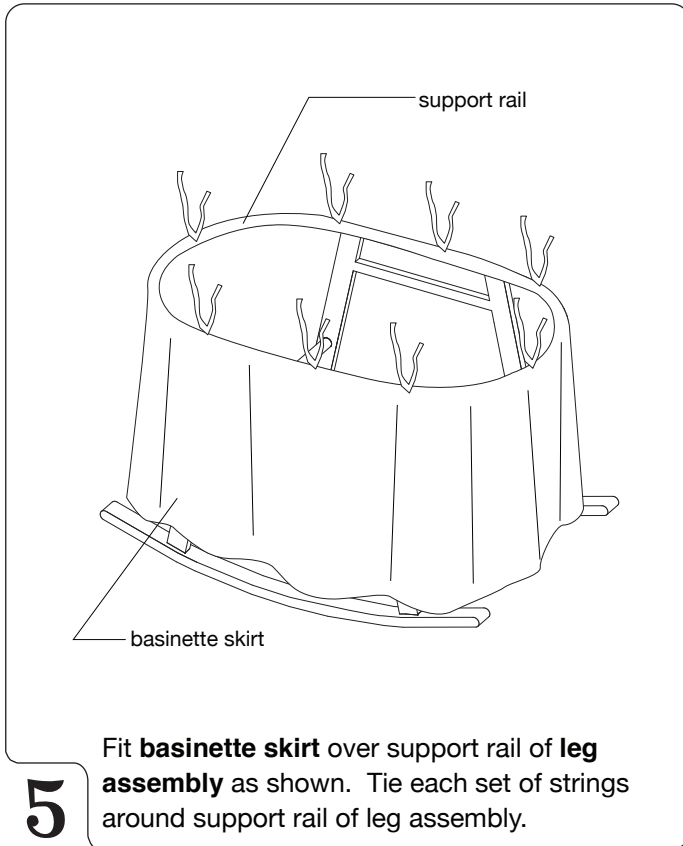
2 Attach **support rail** to **left and right legs** with 4 **small bolts** as shown. Leg assembly is now complete. Please set aside until further instructions.



3 Fit **side cushion** into **basinette** as shown. Tie each set of strings around top frame of **basinette**.



4 A) Fit **pad cover** over **pad**.
 B) Place **pad/pad cover** into **basinette** as shown.



CLEANING AND CARE

Clean surfaces with a dry or damp soft cloth. Do not use abrasive cleaners. Do not use furniture wax or polish as the unit is finished with a protective clear lacquer.