



## **WARNING: Failure to follow these warnings and instructions could result in serious injury or death**

**FALL HAZARD-** To help prevent falls, do not use this product when infant begins to push up on hands and knees or has reached manufacturer's recommended maximum weight of 18 lbs., whichever comes first.

### **SUFFOCATION HAZARD**

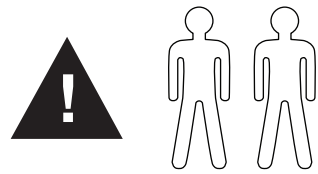
- Infants have suffocated:
  - In gaps between extra padding and the side of the bassinet.
  - On soft bedding.
- Use **ONLY** the pad provided by The Land of Nod. **NEVER** add a pillow, comforter, or another mattress for padding.
- If a sheet is used with the pad, use only the one provided by The Land of Nod or one from The Land of Nod specifically designed to fit the dimensions of the mattress pad.

To reduce the risks of SIDS, pediatricians recommend healthy infants be placed on their backs to sleep, unless otherwise advised by your physician.

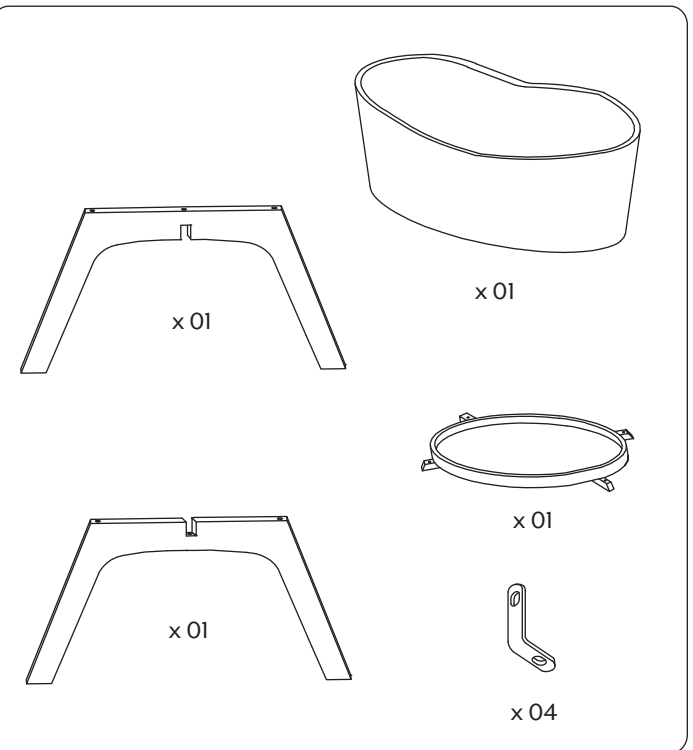
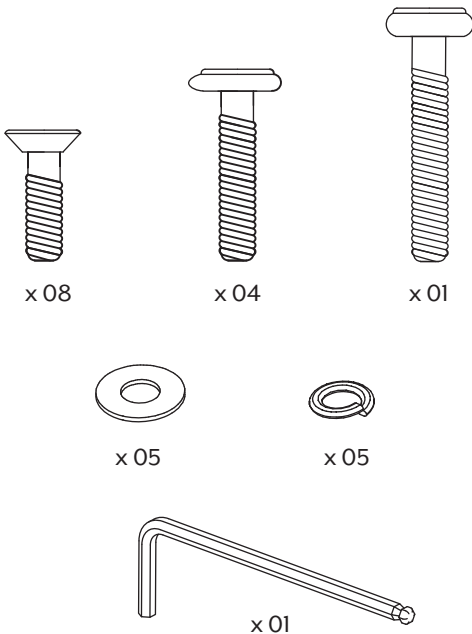
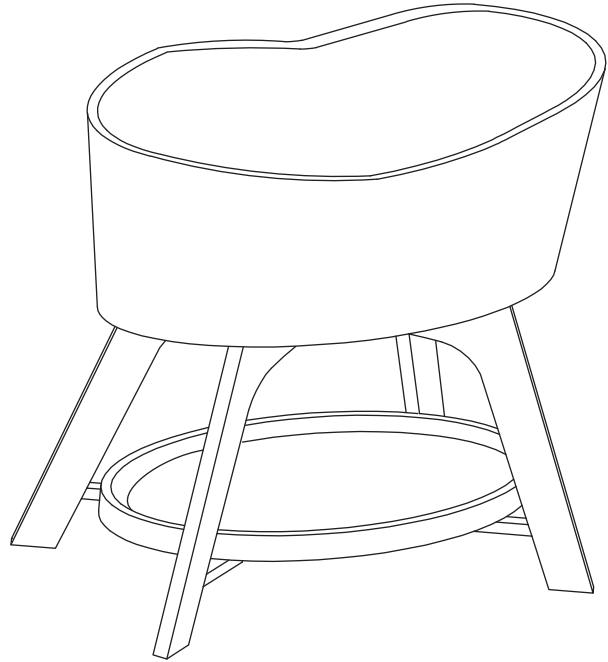
### **Strings Can Cause Strangulation!**

- Do not place bed near windows where cords from blinds or drapes may strangle a child.
- Do not place items with a string, cord, or ribbon around a child's neck, such as hood string or pacifier cords.
- Do not suspend strings over a bassinet or attach strings to toys.

This page lists the contents included in the box. Please take time to identify the hardware as well as the individual components of the product. As you unpack and prepare for assembly, place the contents on a carpeted or padded area to protect them from damage. Please follow the assembly instructions closely. Improper assembly can result in personal or property damage.



**Note: 2 adults are required to safely assemble this product.**

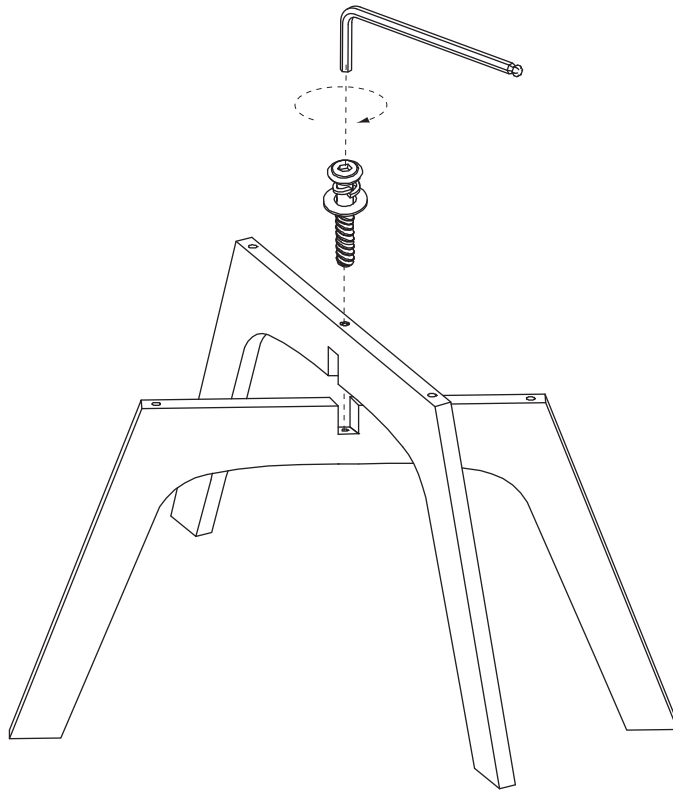


**CLEANING AND CARE:**

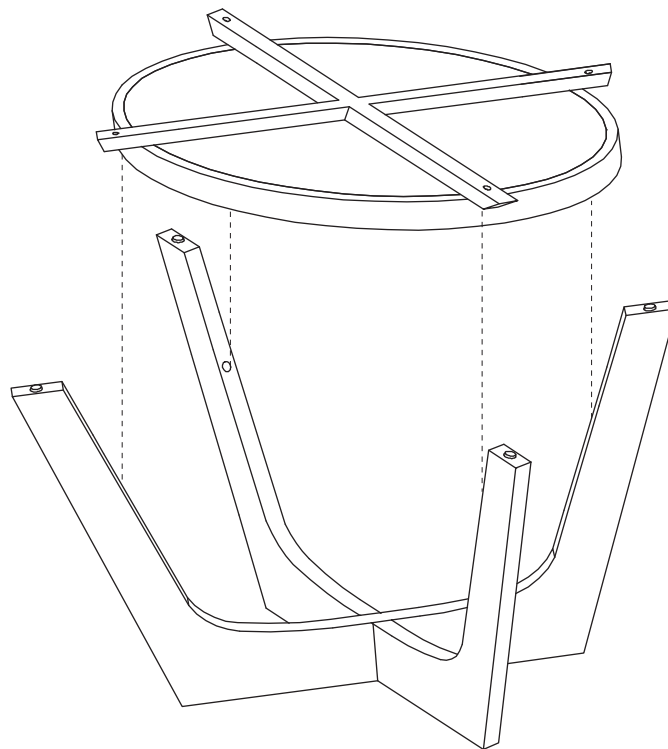
Clean surfaces with a dry or damp soft cloth. Do not use abrasive cleaners. Periodically check and tighten hardware as necessary.



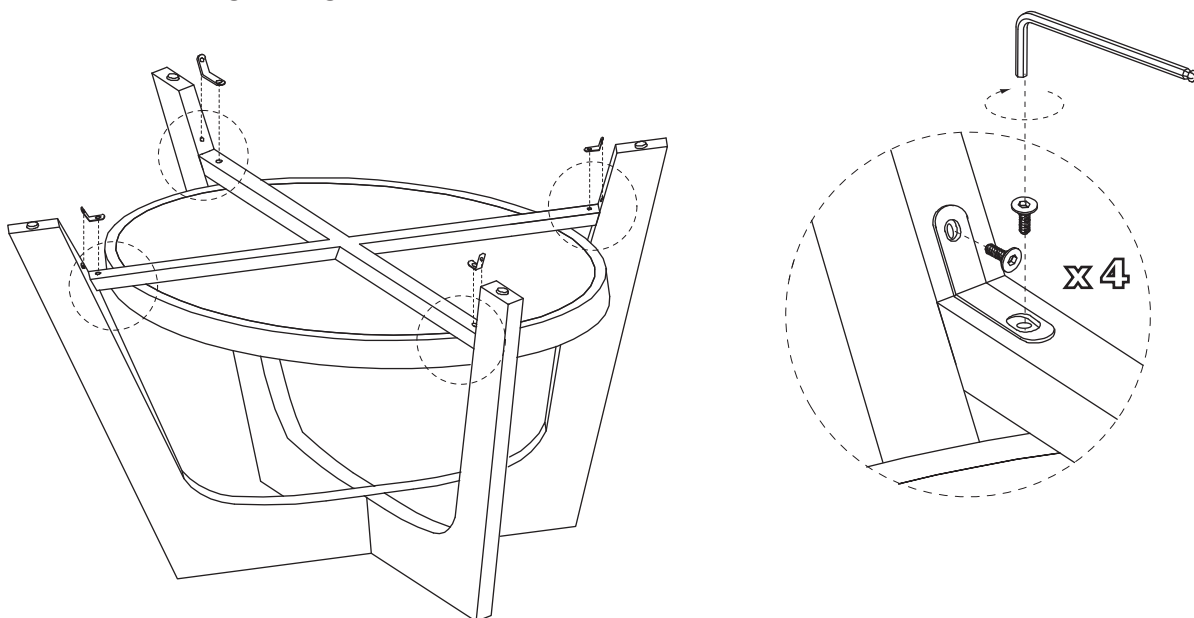
**1**



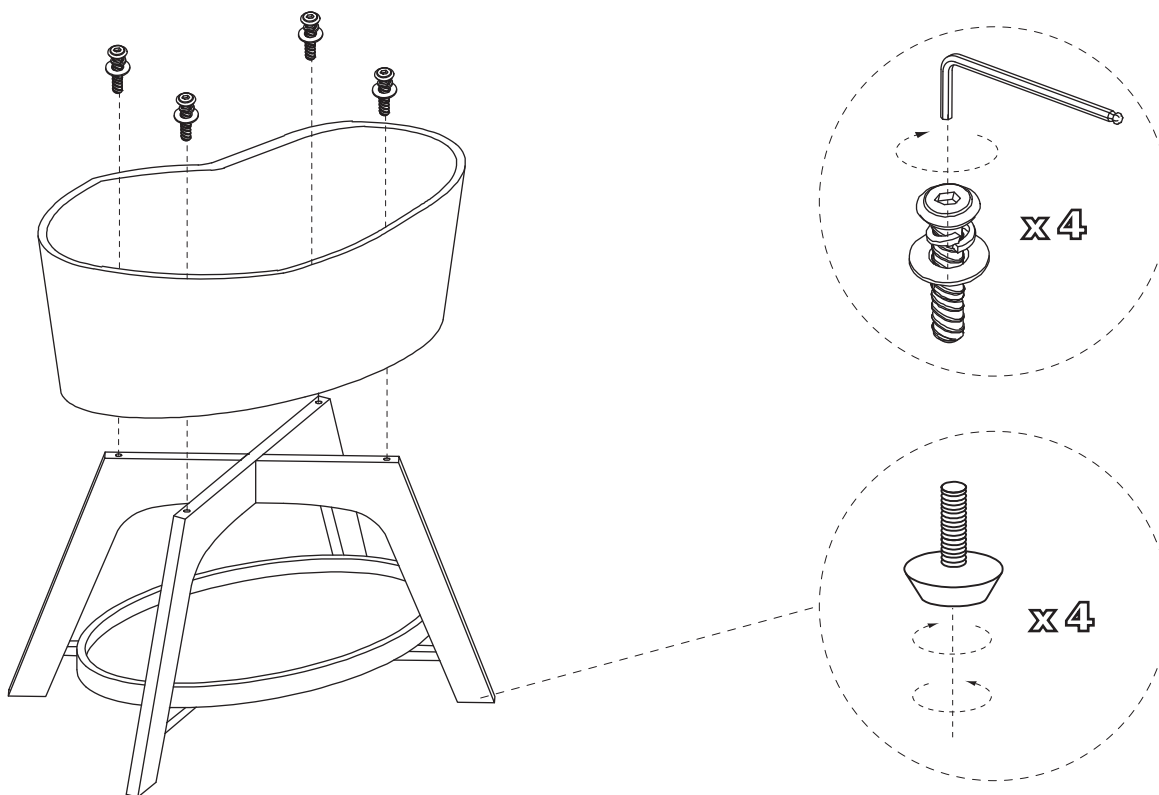
**2**



**NOTE:** Loosely attach bolts by hand before fully tightening with the allen wrench.



**3**



**4**