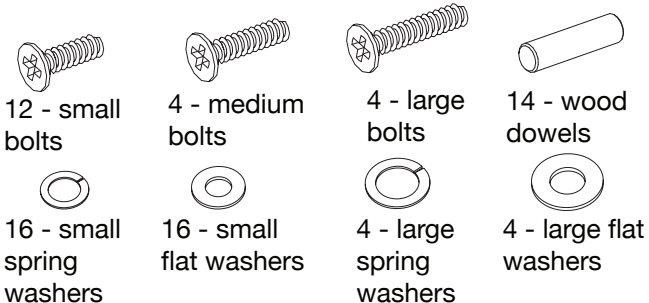


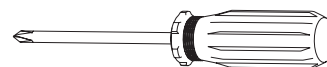
Thank you for purchasing the **Oak Park Bookcase**. This page lists all the contents included in the box. Please take the time to identify the hardware as well as the individual components to this product. As you unpack and prepare for assembly, place the contents on a carpeted or padded area to protect them from damage.  
Note: 2 people are required to safely assemble this product.

## ASSEMBLY HARDWARE



Missing hardware? Please call **800.933.9904** for replacements.  
NOTE: Contains small parts. Keep away from small children.

## TOOLS REQUIRED

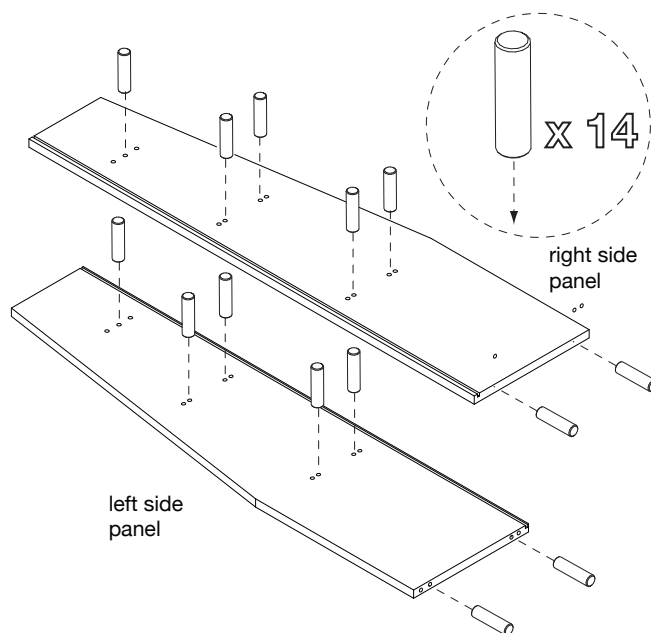
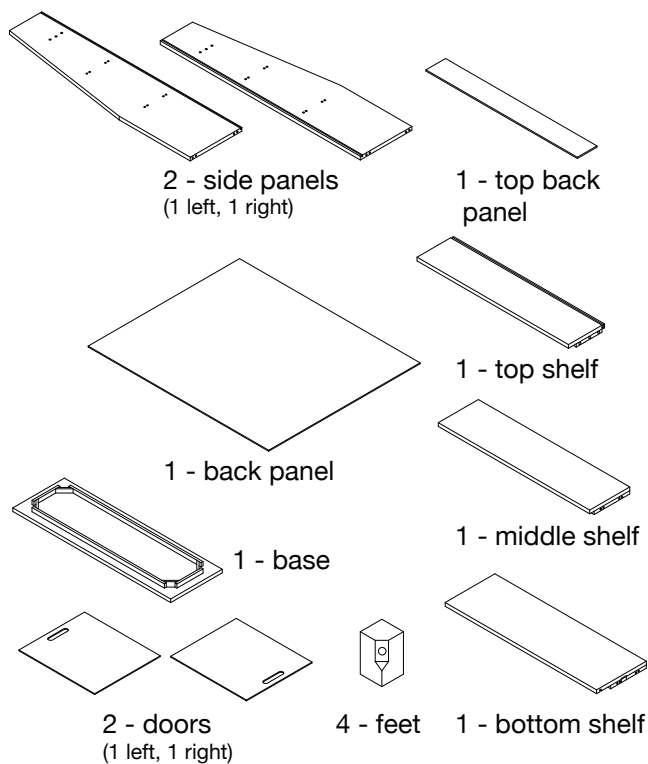


Phillips head screwdriver

(We recommend the use of hand tools instead of power tools)

**! WARNING: Adult Assembly Required**

## COMPONENTS



With the assistance of another adult, carefully place **left and right side panel** onto clean, padded surface. Insert 7 **wood dowels** into **left and right side panel** as shown.

**1**

top shelf  
middle shelf  
bottom shelf  
right side panel

NOTE: Do not over tighten the bolts

**2** Fit dowels of **right side panel** into corresponding holes of **top shelf**, **middle shelf** and **bottom shelf**. Secure each shelf with 2 **small bolts**, 2 **small spring washers** and 2 **small flat washers** using a **phillips head screwdriver**. Do not over tighten the bolts.

A back panel  
B top back panel

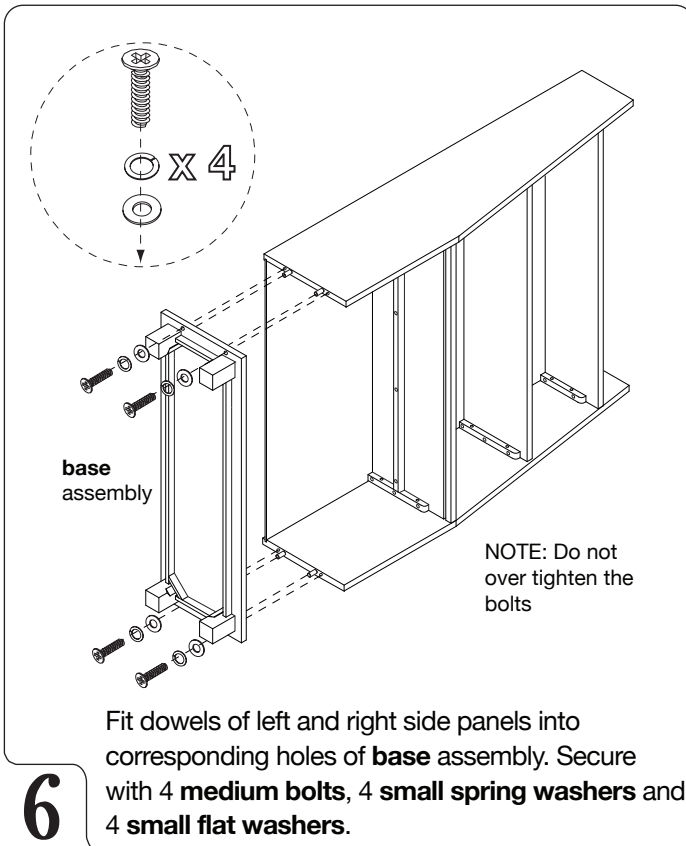
**3** A. With the assistance of another adult, slide **back panel** into corresponding grooves of assembled unit as shown.  
B. Slide **top back panel** into corresponding grooves of assembled unit.

left side panel

**4** Fit dowels of **left side panel** into corresponding holes of assembled unit. Secure each shelf with 2 **small bolts**, 2 **small spring washers** and 2 **small flat washers** using screwdriver.

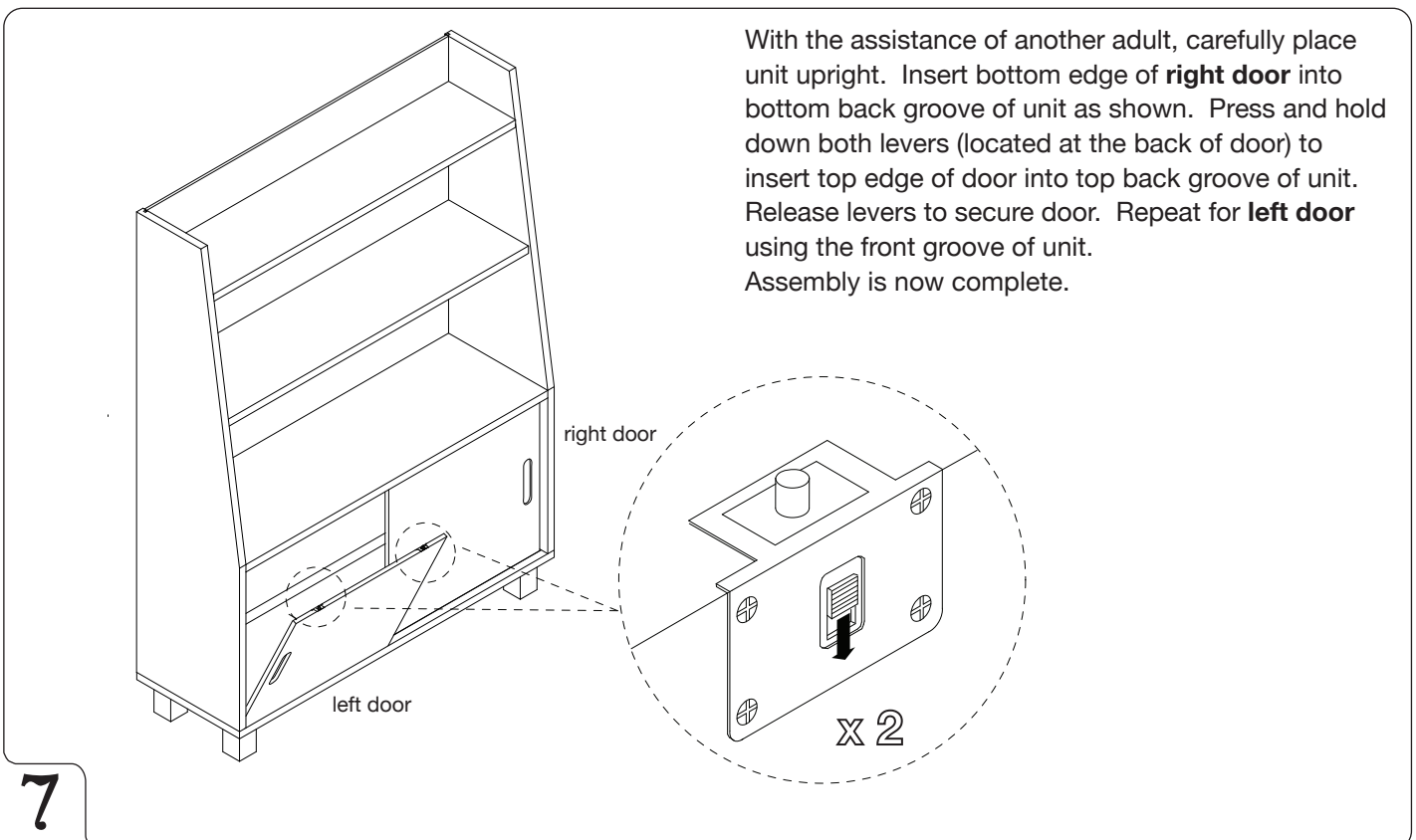
foot  
base

**5** Attach **feet** to **base** as shown. Secure each foot with 1 **large bolt**, 1 **large spring washer** and 1 **large flat washer**, using a screwdriver.



### CLEANING AND CARE

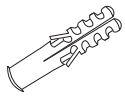
Clean surfaces with a dry or damp soft cloth. Do not use abrasive cleaners. Do not use furniture wax or polish as the wood is finished with a protective clear lacquer.



# ! WARNING

**Serious or fatal crushing injuries can occur from furniture tip over. Use of tip-over restraints may only reduce, but not eliminate, the risk of tip-over. To help prevent tip-over, install tip restraint per instructions below.**

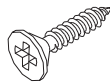
## MOUNTING HARDWARE



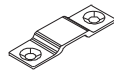
4 - plastic anchors



4 - small screws



4 - large screws



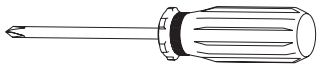
4 - mounting brackets



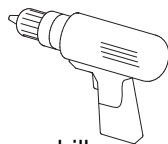
2 - wall straps

Missing hardware? Please call 800.933.9904 for replacements. NOTE: Contains small parts. Keep away from small children.

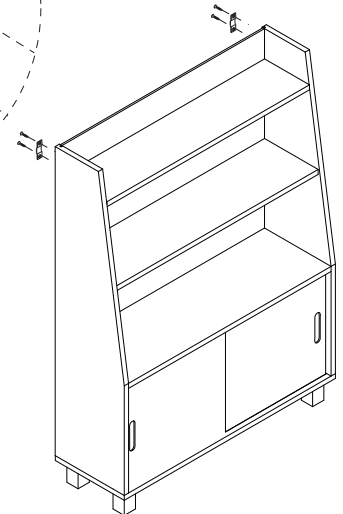
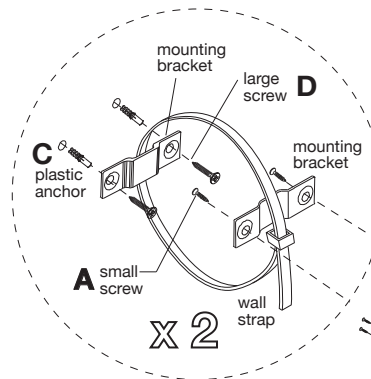
## TOOLS REQUIRED



phillips head screwdriver



power drill  
(for pilot holes only)



## WALL MOUNTING ASSEMBLY

For added safety and stability, it is recommended that the wall mounting hardware be installed. For safe mounting, it is essential to use wall anchors appropriate to your wall type (i.e. plaster, drywall, concrete, etc.). Mount to wood studs whenever possible.

- A) Attach **mounting bracket** to top center of unit using 2 **small screws**.
- B) Determine the final location of unit. Mark position on the wall, approximately 2" below the mounting bracket mounted to the back of the unit.
- C) Drill a hole in the wall stud. If the wall stud is not available, drill a hole in the wall that is slightly smaller in diameter than the anchor. Gently tap the **plastic anchor** until the flange of the anchor is flush with the wall.
- D) Attach the **mounting bracket** to the wall by inserting 2 **large screws** through the mounting bracket and into the wall anchor in the wall.
- E) Place the unit so the mounting bracket on the back edge is allowed with the wall bracket.
- F) Lace one end of the **wall strap** through both brackets, and into the other end of the strap.
- G) Pull the strap tightly until secure.

Repeat step A-G for remaining wall mounting assembly.

**NOTE: If you are unsure about your wall type or what mounting method you should use, consult a qualified professional.**

Wall mounting assembly is now complete.