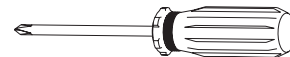


Thank you for purchasing the **Oak Park Desk**. This page lists all the contents included in the box. Please take the time to identify the hardware as well as the individual components to this product. As you unpack and prepare for assembly, place the contents on a carpeted or padded area to protect them from damage. Note: 2 people are required to safely assemble this product.

**⚠ WARNING: Adult Assembly Required**

## TOOLS REQUIRED

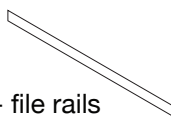
phillips head screwdriver



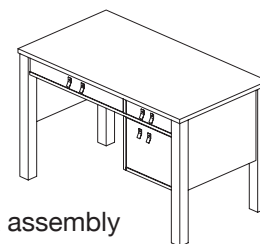
(We recommend the use of hand tools instead of power tools)

## COMPONENTS

2 - file rails

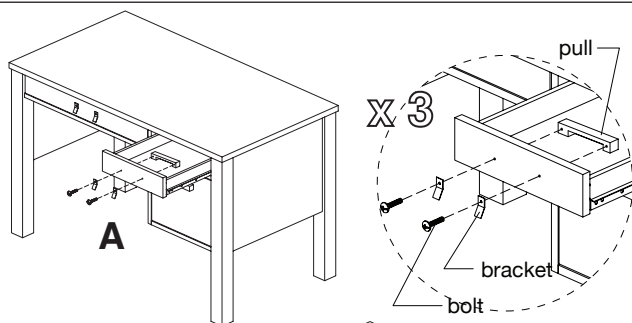


1 - desk assembly

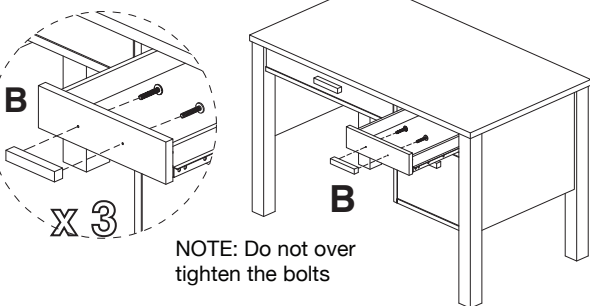


## CLEANING AND CARE

Clean surfaces with a dry or damp soft cloth. Do not use abrasive cleaners. Do not use furniture wax or polish as the unit is finished with a protective clear lacquer.



**A**

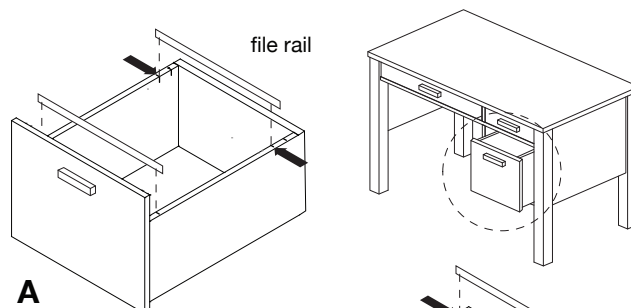


**B**

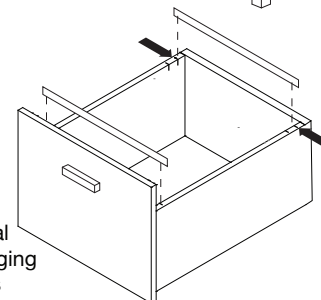
A) Remove *brackets* and *pulls* from drawers in **desk assembly** using a **phillips head screwdriver** discard brackets.

B) Re-attach 3 *pulls* to drawer front of **desk assembly** with 3 *bolts* per *pull* as shown. Secure, but do not over tighten, bolts using a screwdriver.

**1**



**A**  
Standard  
Hanging  
Files



**B**  
Legal  
Hanging  
Files

A) For standard hanging files, fit file rails into inner slots as shown.

B) For legal hanging files, fit file rails into outer slots as shown.

Assembly is now complete.

**2**