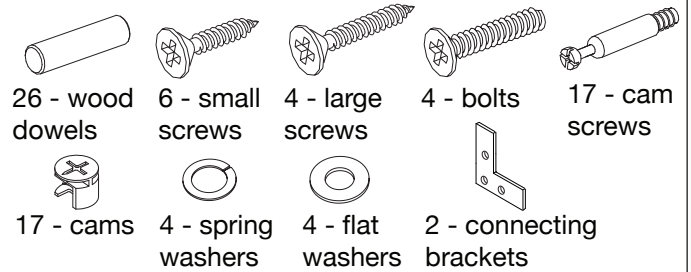


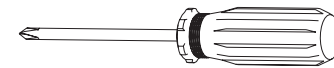
Thank you for purchasing the **Oak Park Hutch**. This page lists all the contents included in the box. Please take the time to identify the hardware as well as the individual components to this product. As you unpack and prepare for assembly, place the contents on a carpeted or padded area to protect them from damage. Note: 2 people are required to safely assemble this product.

ASSEMBLY HARDWARE



Missing hardware? Please call **800.933.9904** for replacements. NOTE: Contains small parts. Keep away from small children.

TOOLS REQUIRED

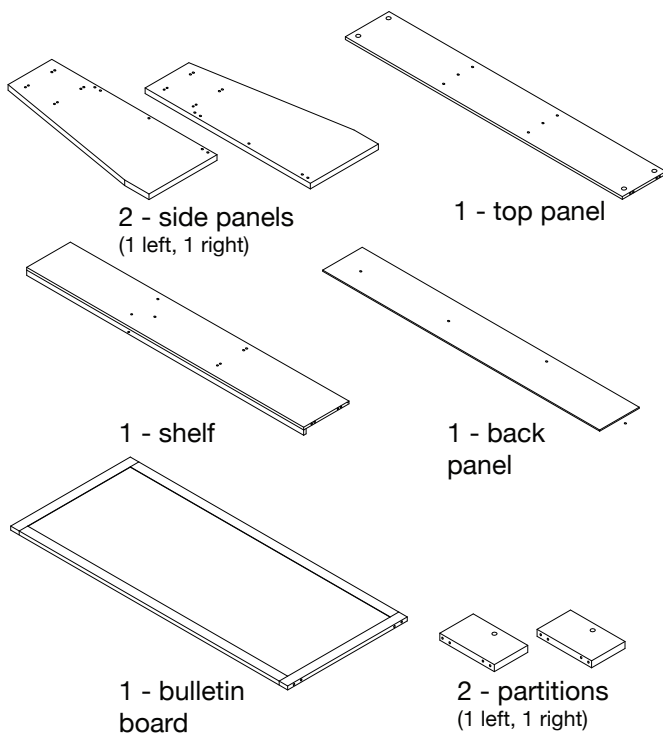


Phillips head screwdriver

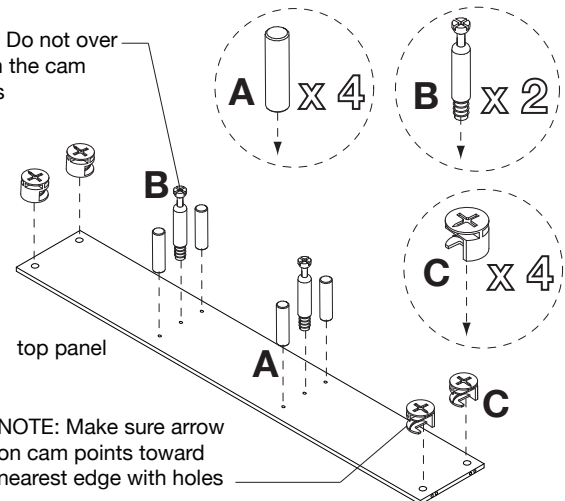
(We recommend the use of hand tools instead of power tools)

WARNING: Adult Assembly Required

COMPONENTS



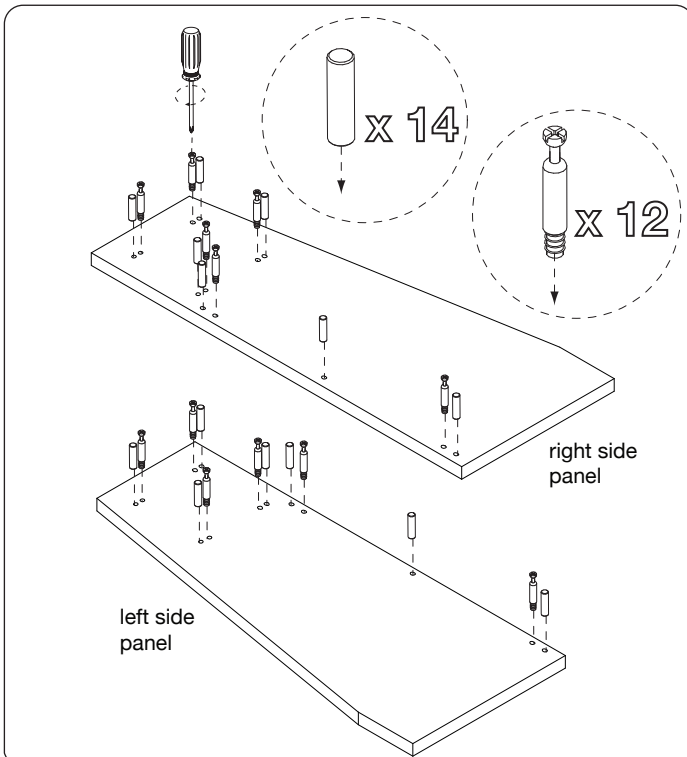
NOTE: Do not over tighten the cam screws



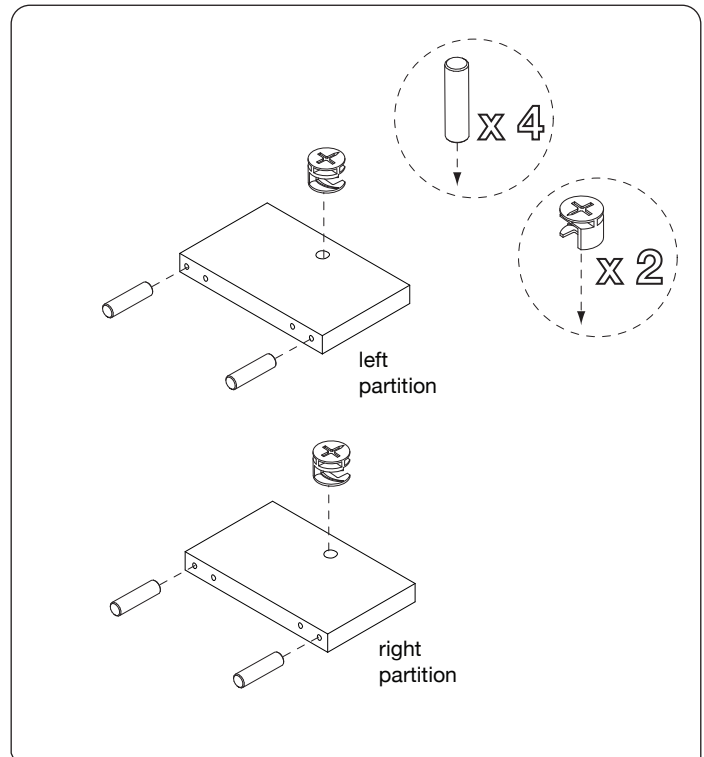
A) Insert 4 **wood dowels** into **top panel** as shown.
 B) With the assistance of another adult, carefully place **top panel** onto clean, padded surface. Insert 2 **cam screws** into **top panel** as shown. Secure, but do not over tighten, **cam screws** with a **Phillips head screwdriver**.

C) Insert 4 **cams** into **top panel** as shown. Make sure arrows on each cam points toward nearest edge with holes.

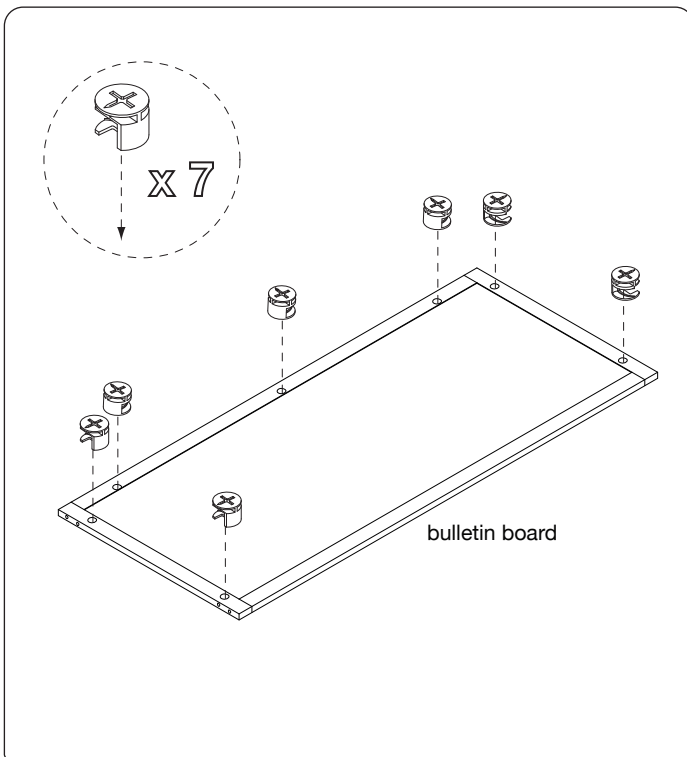
1



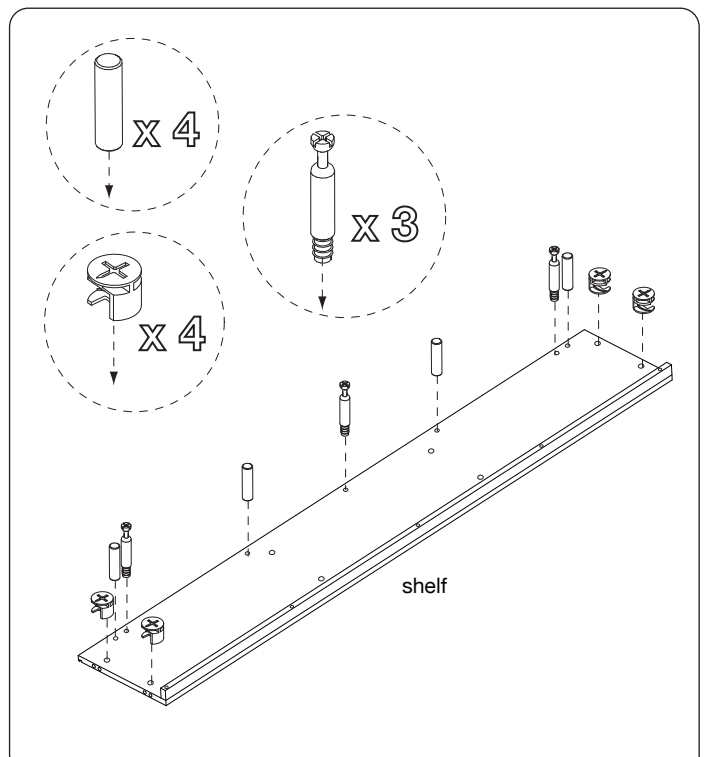
2 Insert 7 **wood dowels** and 6 **cam screws** into **left and right side panels**.



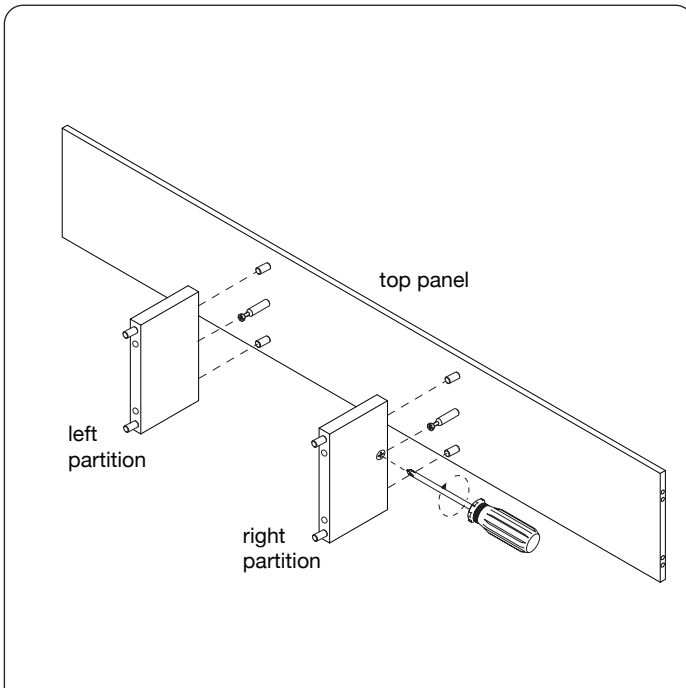
3 Insert 2 **wood dowels** and 1 **cam** into each **partition** as shown.



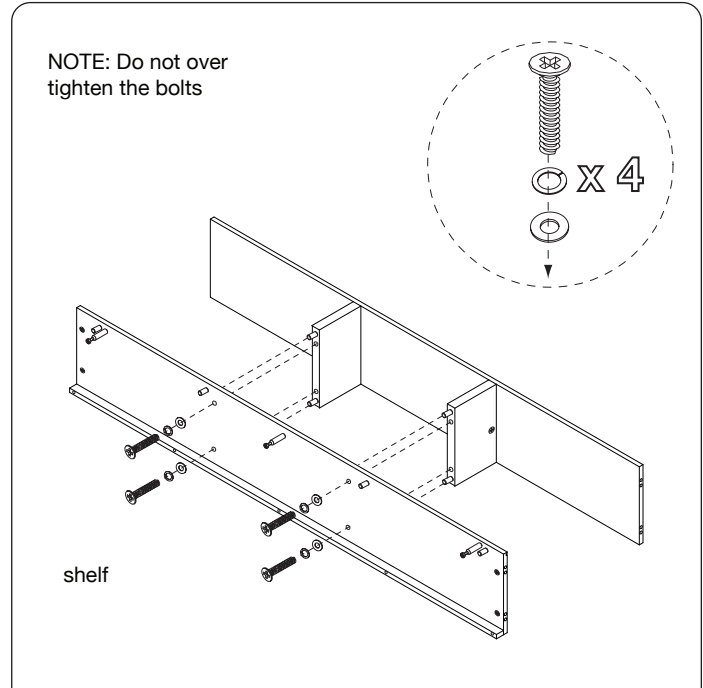
4 Insert 7 **cams** into **bulletin board** as shown.



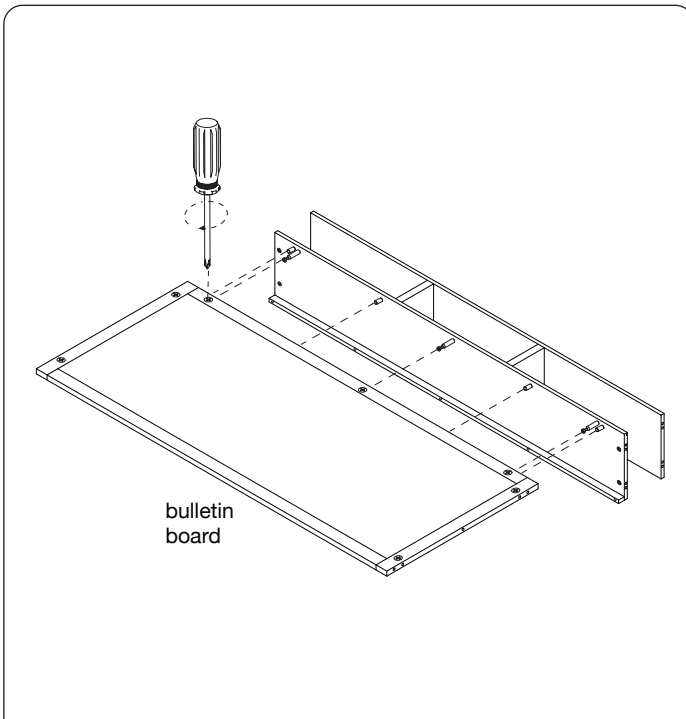
5 Insert 4 **wood dowels**, 3 **cam screws** and 4 **cams** into **shelf** as shown.



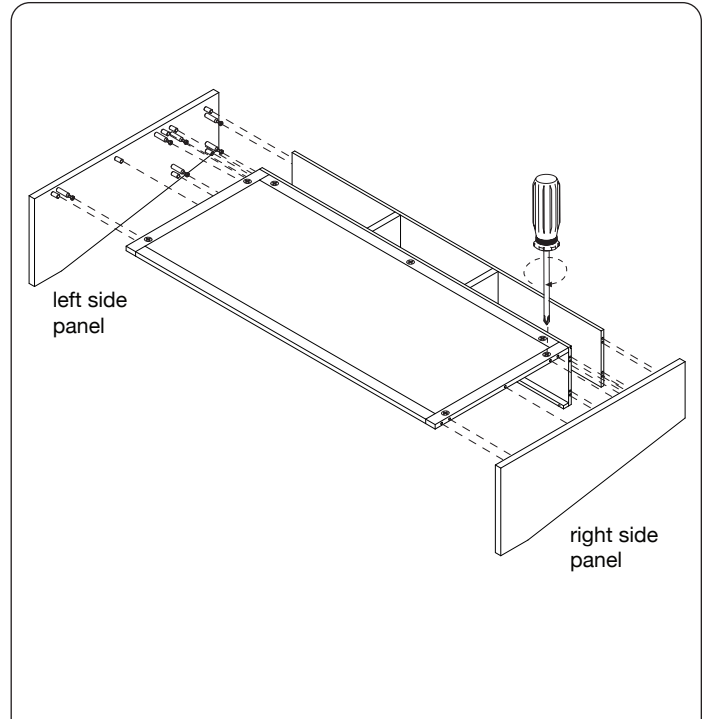
6 Fit dowels of **top panel** into corresponding holes of **left and right partition** as shown. With a screwdriver, turn each **cam** clockwise until it securely engages each **cam screw**.



7 Fit dowels of left and right side partitions into corresponding holes of **shelf** as shown. Secure with 4 **bolts**, 4 **spring washers** and 4 **flat washers** using a screwdriver. Do not over tighten the bolts.

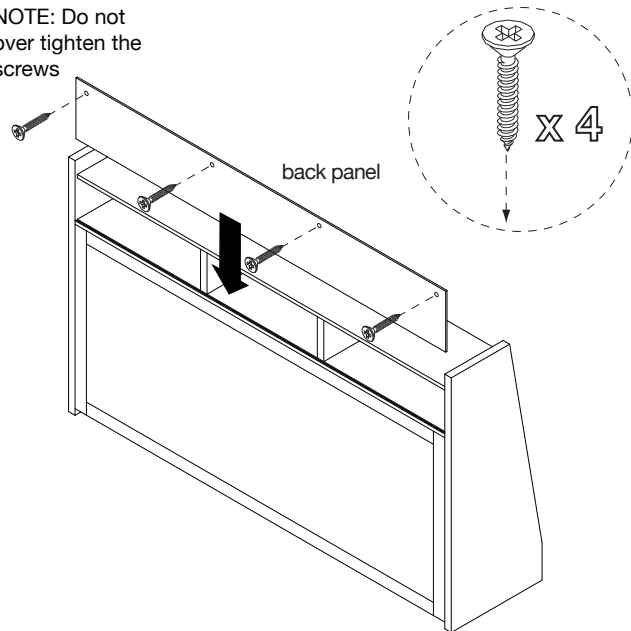


8 With the assistance of another adult, fit dowels of assembled unit into corresponding holes of **bulletin board** as shown. Secure all **cams**.



9 With the assistance of another adult, fit dowels of **left and right side panels** into corresponding holes of assembled unit as shown. Secure all **cams**.

NOTE: Do not over tighten the screws

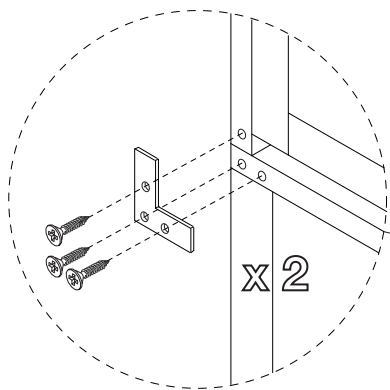


With the assistance of another adult, position unit upright. Slide **back panel** into corresponding grooves of assembled unit as shown. Secure, but do not over tighten, with 4 **large screws** using a screwdriver.

10

CLEANING AND CARE

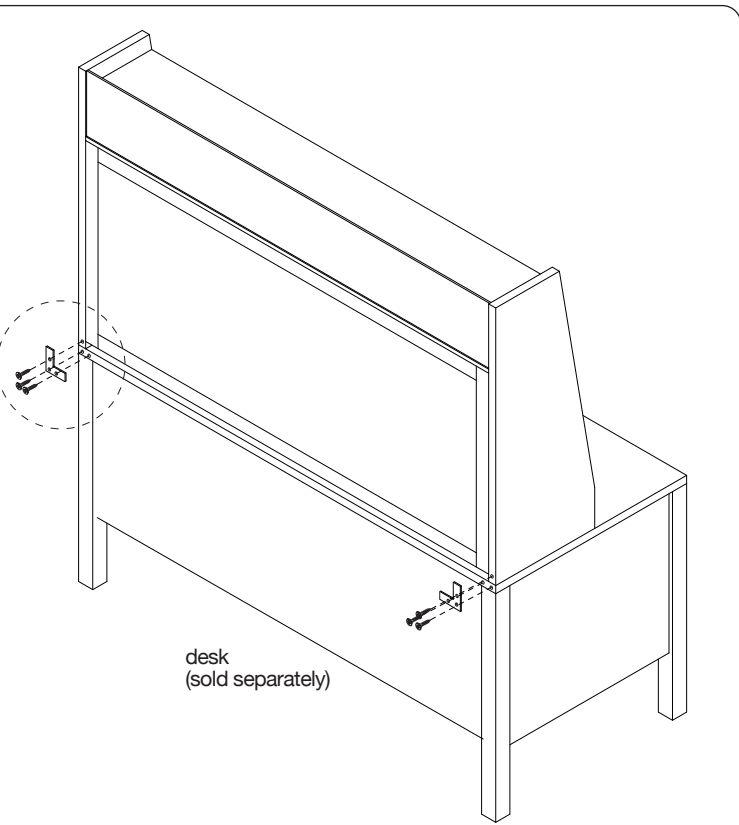
Clean surfaces with a dry or damp soft cloth. Do not use abrasive cleaners. Do not use furniture wax or polish as the wood is finished with a protective clear lacquer.



With the assistance of another adult, place hutch onto desk (sold separately) as shown. Attach 2 **connecting brackets** to desk and hutch assembly with 3 **small screws** per bracket as shown, using a screwdriver.

Assembly is now complete.

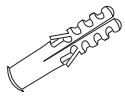
11



! WARNING

Serious or fatal crushing injuries can occur from furniture tip over. Use of tip-over restraints may only reduce, but not eliminate, the risk of tip-over. To help prevent tip-over, install tip restraint per instructions below.

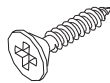
MOUNTING HARDWARE



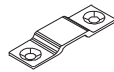
4 - plastic anchors



4 - small screws



4 - large screws



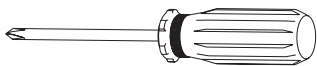
4 - mounting brackets



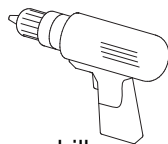
2 - wall straps

Missing hardware? Please call 800.933.9904 for replacements. NOTE: Contains small parts. Keep away from small children.

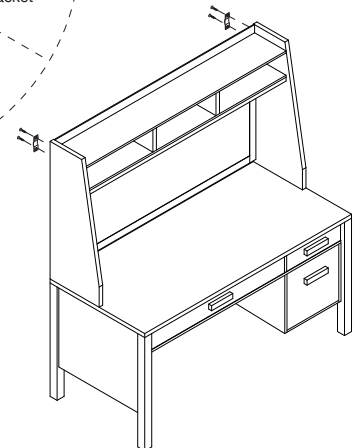
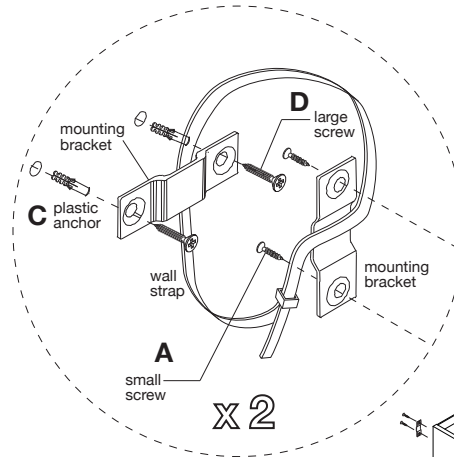
TOOLS REQUIRED



phillips head screwdriver



power drill
(for pilot holes only)



WALL MOUNTING ASSEMBLY

For added safety and stability, it is recommended that the wall mounting hardware be installed. For safe mounting, it is essential to use wall anchors appropriate to your wall type (i.e. plaster, drywall, concrete, etc.). Mount to wood studs whenever possible.

- A) Attach 2 **mounting brackets** to top of unit with 2 **small screws** per bracket as shown. Secure, but do not over tighten, with a **phillips head screwdriver**.
- B) Determine the final location of unit. Mark each position on the wall, approximately 2" below the mounting bracket mounted to the back of the unit.
- C) Drill 4 holes into marked positions on the wall and into a wall stud. If the wall stud is not available, drill a hole in the wall that is slightly smaller in diameter than the anchor. Gently tap 4 **plastic anchors** until the flange of each anchor is flush with the wall.
- D) Attach 2 **mounting brackets** to the wall with 2 **large screws** per bracket as shown. Using a screwdriver, make sure the screws are secured through the mounting bracket and into the plastic anchor in the wall.
- E) With the assistance of another adult, position the unit so the mounting brackets on the back edge are aligned with the mounting brackets on the wall.
- F) Attach 2 **wall straps** to corresponding mounting brackets as shown. Lace one end of the **wall strap** through both brackets and into the other end of the strap. Pull tightly on the wall strap to secure. Wall mounting assembly is now complete.