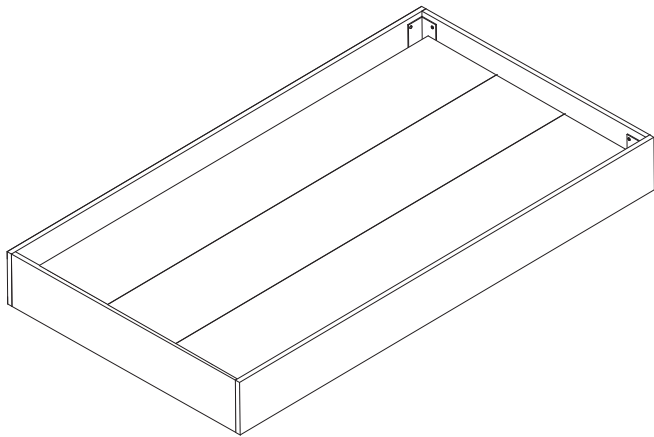




WARNING

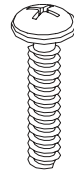
- Do not place bed near windows where cords from blinds or drapes may strangle a child.
- Do not place items with a string, cord, or ribbon around a child's neck, such as hood strings or pacifier cords
- Do not suspend strings over a bed for any reason
- The minimum age shall be no less than 15 months
- The intended mattress dimension on the bed is 71"L x 38"W x 5"H



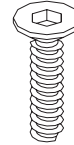
Thank you for purchasing the **Oak Park Storage Trundle**. This page lists all the contents included in the box. Please take the time to identify the hardware as well as the individual components to this product. As you unpack and prepare for assembly, place the contents on a carpeted or padded area to protect them from damage. Note: 2 people are required to safely assemble this product.

WARNING: Adult Assembly Required

HARDWARE



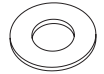
8 - large bolts



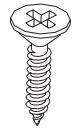
16 - medium bolts



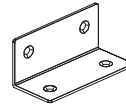
24 - spring washers



24 - flat washers



6 - small screws



4 - support brackets



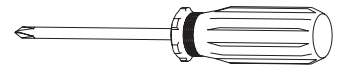
24 - wood dowels

Missing hardware? Please call **800.933.9904** for replacements.

NOTE: Contains small parts. Keep away from small children.

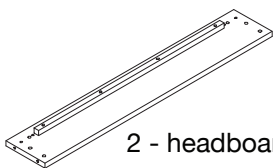
TOOLS REQUIRED

Phillips head screwdriver

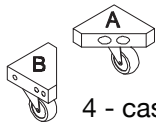


(We recommend the use of hand tools instead of power tools)

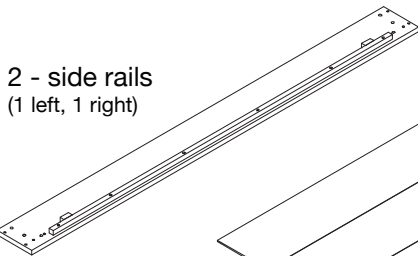
COMPONENTS



2 - headboard/footboard



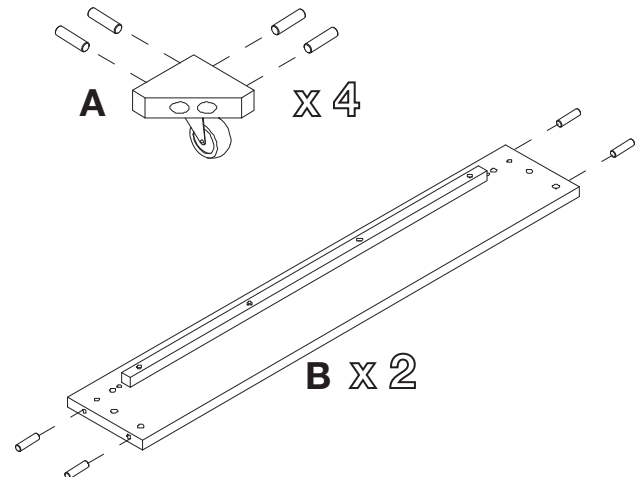
4 - casters
(2 labeled A,
2 labeled B)



2 - side rails
(1 left, 1 right)

3 - bottom panels

1 - slat assembly



A) Insert 4 **wood dowels** into each **caster** as shown.

B) Insert 4 **wood dowels** into **headboard/footboard** as shown.

1

NOTE: Make sure wheels on each caster are facing the bottom as shown.

2

Fit dowels of **caster A and B** into corresponding holes of **headboard/footboard** as shown. Using a **Phillips head screwdriver**, secure each caster with **1 large bolt, 1 spring washer and 1 flat washers**. Do not over tighten the bolts.

3

Attach **2 brackets** to headboard/footboard with **2 medium bolts, 2 flat washers and 2 spring washers** as shown. Secure bolts with an **Allen wrench**.

4

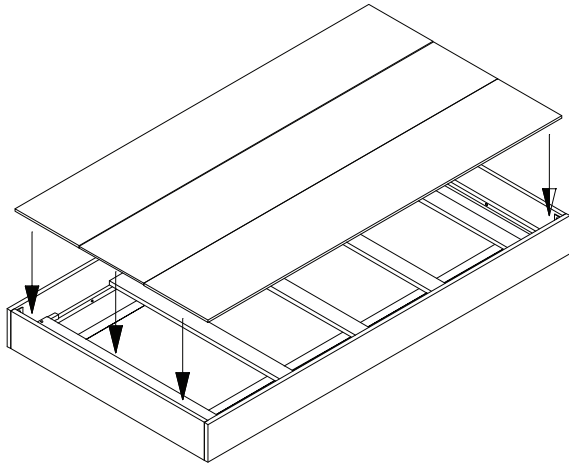
Attach each **bracket** of headboard/footboard to **left and right side rails** with **2 medium bolts, 2 flat washers and 2 spring washers** as shown. Secure bolts with an **Allen wrench**.

NOTE: It is important to attach the slats to the rails as shown

5

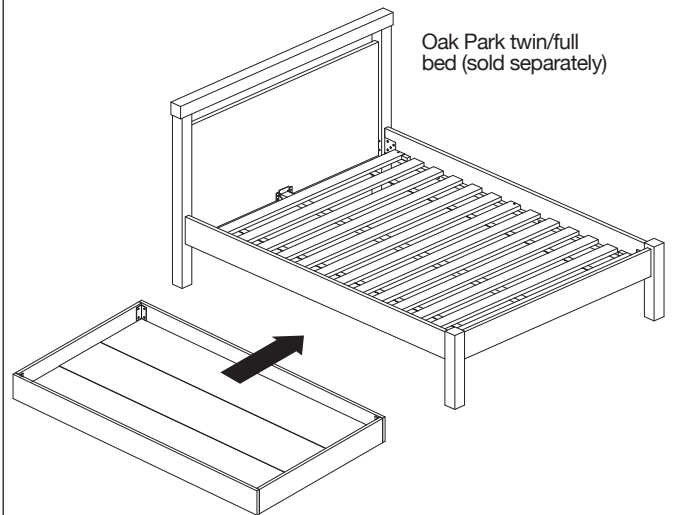
Attach **slat assembly** to side rails of assembly with **6 small screws** as shown, using a screwdriver. Do not over tighten the screws.

NOTE: Do not over tighten the screws



6

With the assistance of another adult, fit 3 **bottom panels** to assembled unit as shown. Make sure each panel is securely supported by slat assembly.



7

With the assistance of another adult, roll *trundle* under *Oak Park twin/full bed* (sold separately). Assembly is now complete.

CLEANING AND CARE

Clean surfaces with a dry or damp soft cloth. Do not use abrasive cleaners. Do not use furniture wax or polish as the unit is finished with a protective clear lacquer.