



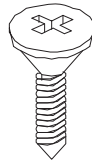
WARNING

- Do not place bed near windows where cords from blinds or drapes may strangle a child.
- Do not place items with a string, cord, or ribbon around a child's neck, such as hood strings or pacifier cords
- Do not suspend strings over a bed for any reason
- The minimum age shall be no less than 15 months
- The intended mattress dimension on the bed is 37 1/2"-38 1/2"W x 74"-75"L



Thank you for purchasing the **Petite Marguerite Twin Bed**. This page lists all the contents included in the box. Please take the time to identify the hardware as well as the individual components to this product. As you unpack and prepare for assembly, place the contents on a carpeted or padded area to protect them from damage.
 Note: 2 people are required to safely assemble this product.

HARDWARE

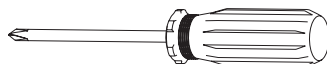


6 - screws

Missing hardware? Please call **800.933.9904** for replacements.
 NOTE: Contains small parts. Keep away from small children.

! WARNING: Adult Assembly Required

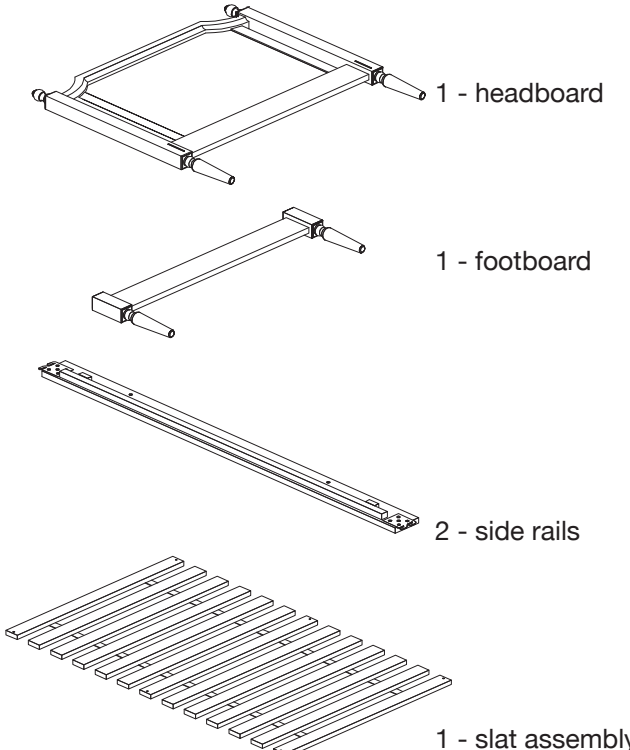
TOOL REQUIRED



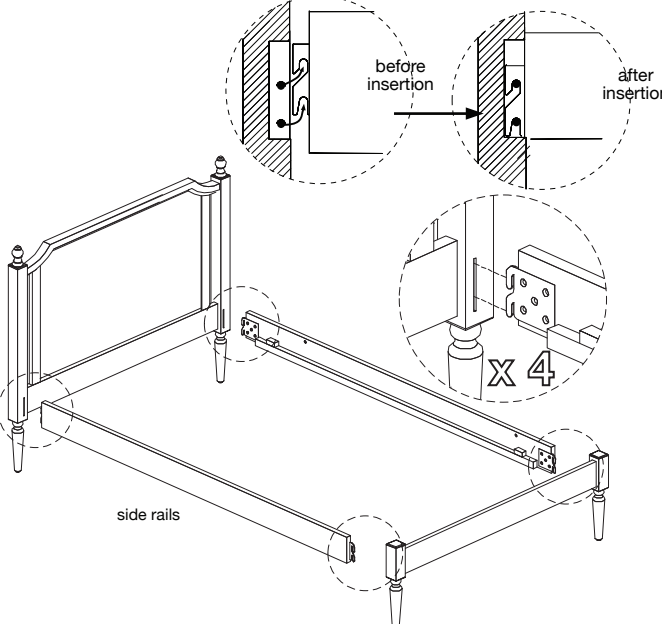
Phillips head screwdriver

(We recommend the use of hand tools instead of power tools)

COMPONENTS



- 1 - headboard
- 1 - footboard
- 2 - side rails
- 1 - slat assembly



before insertion → after insertion

X 4

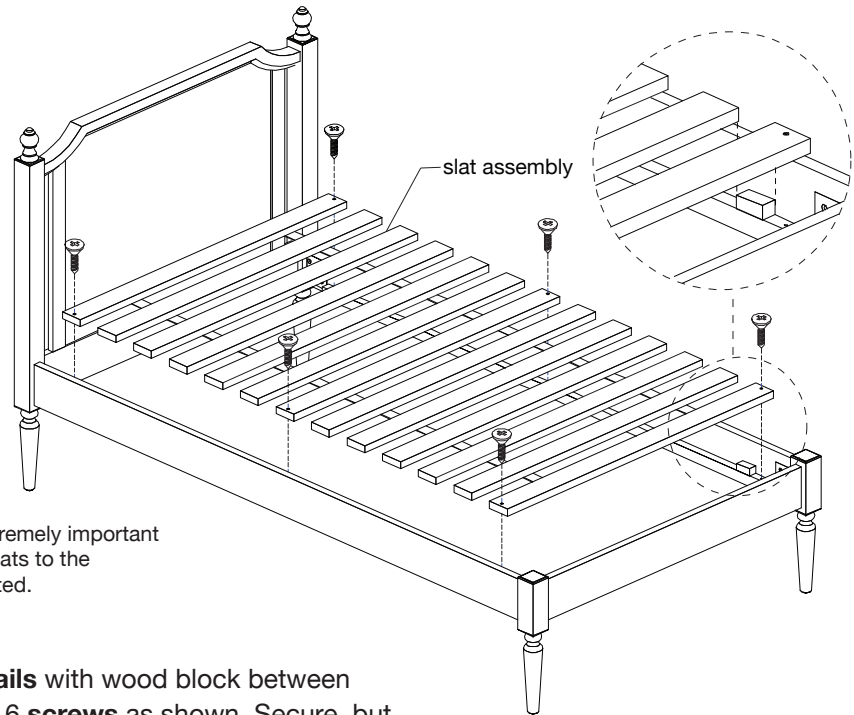
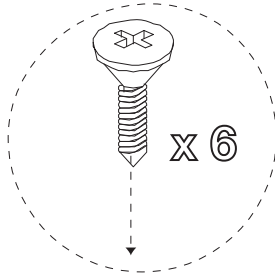
side rails

1

A) With the assistance of another adult, insert the notched metal plate of the **side rails** into slots of **headboard**. Push down firmly on each side rail to secure

B) Attach **footboard** using the same method.

NOTE: Do not over tighten screws



NOTE: It is extremely important to attach the slats to the rails as instructed.

2

Place **slat assembly** onto **side rails** with wood block between first and second slat. Attach with 6 **screws** as shown. Secure, but do not over tighten, screws with **Phillips head screwdriver**. Assembly is now complete.

CLEANING AND CARE

Clean surfaces with a dry or damp soft cloth.
Do not use abrasive cleaners.