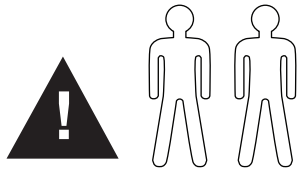
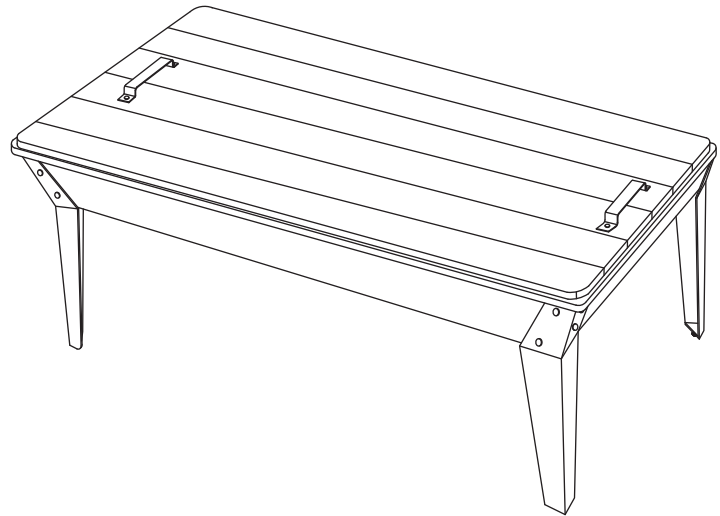


This page lists the contents included in the box. Please take time to identify the hardware as well as the individual components of the product. As you unpack and prepare for assembly, place the contents on a carpeted or padded area to protect them from damage. Please follow the assembly instructions closely. Improper assembly can result in personal or property damage.

**Note: 2 adults are required to safely assemble this product.**



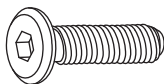
**CAUTION:**

Table top is extremely heavy. Children should not attempt to lift. An adult should remove and replace the table top when appropriate.



**WARNING: CHOKING HAZARD**

Small parts. Not for children under 3 yrs.



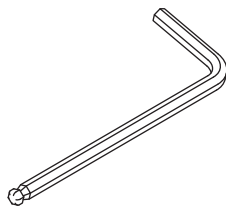
x 08



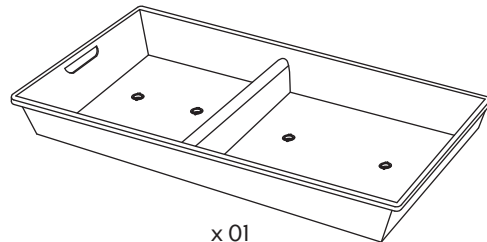
x 08



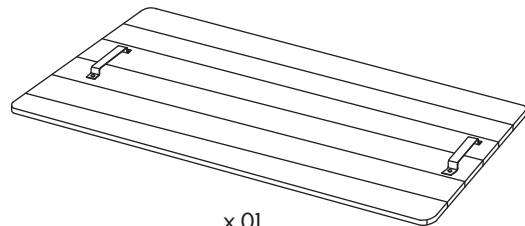
x 08



x 01



x 01



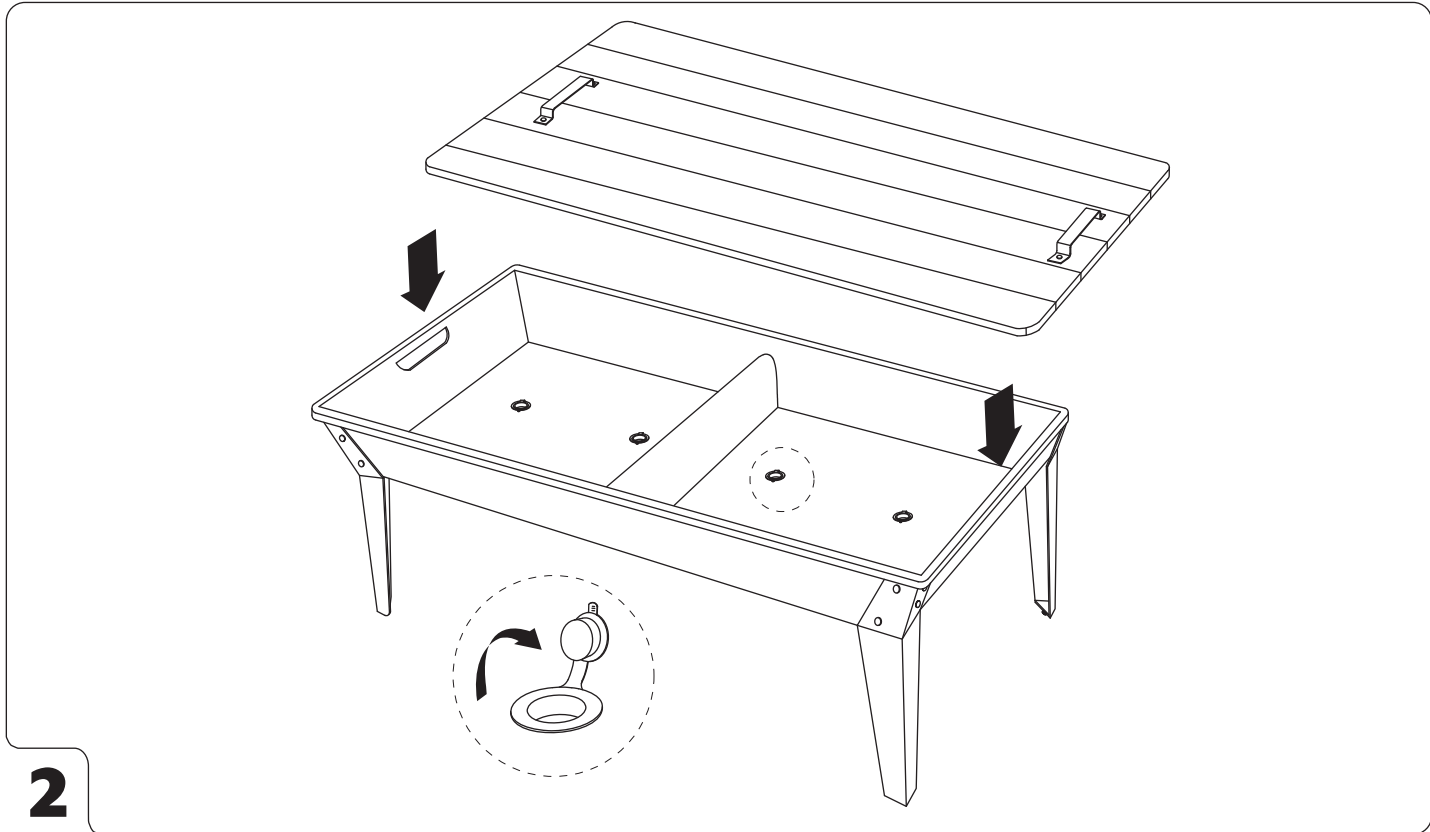
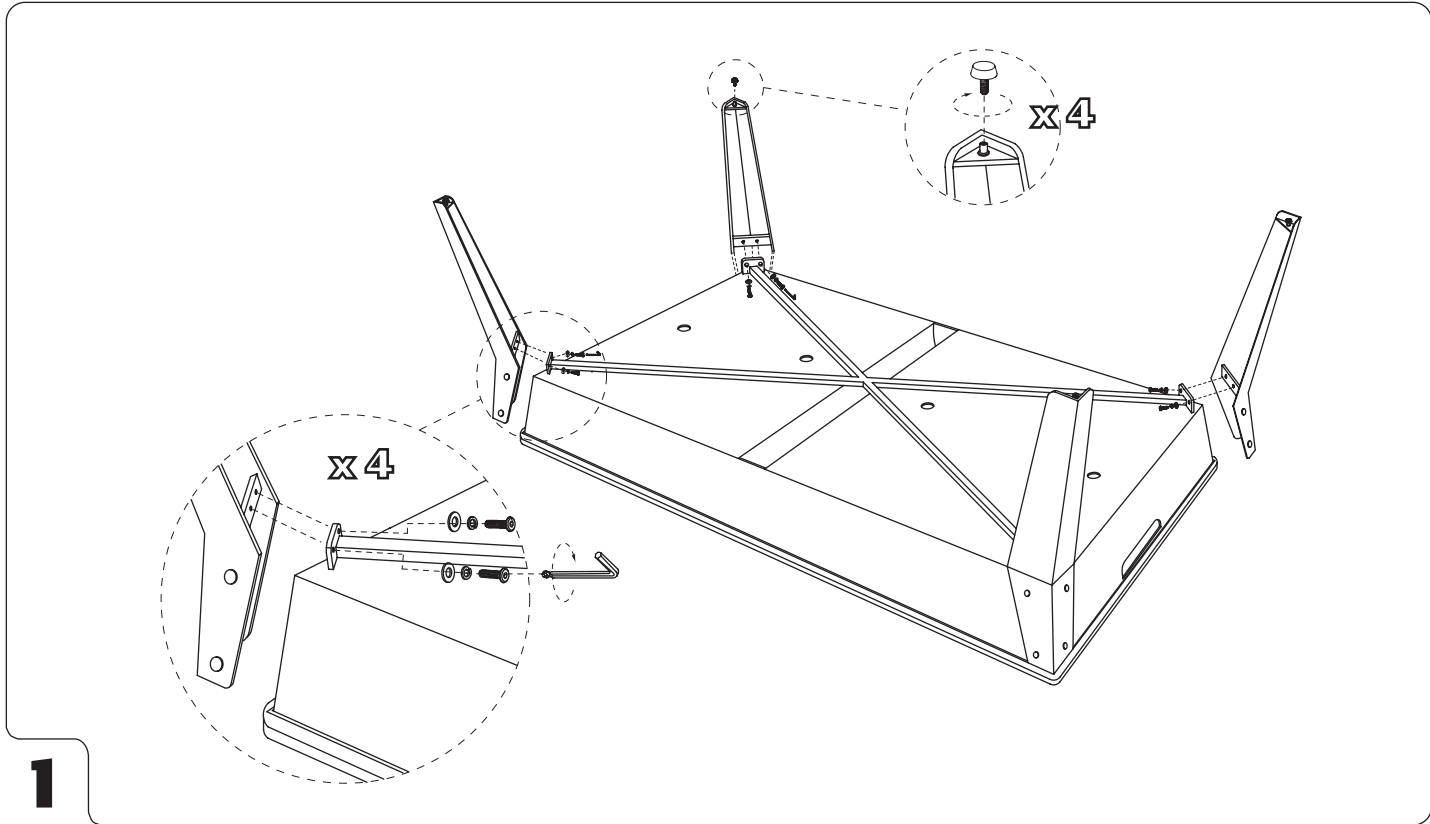
x 01



x 04



x 04



**Cleaning and Care**

Clean surfaces with a dry or damp soft cloth. Do not use abrasive cleaners. Periodically check and tighten hardware as necessary.

Drain water when not in use for prolonged periods of time or when in storage.

If the powder coat finish is chipped, the exposed area should be sealed to prevent corrosion.

CAUTION: table and table top handles may be hot to the touch if left out in direct sunlight.

Left unprotected, this table will weather and patina to a silvery gray. To preserve the original finish avoid leaving in direct sunlight for extended periods of time.

Under normal use, wood may crack slightly due to changes in moisture and temperature. Please note these cracks do not effect the structural integrity of the furniture.

Store or keep covered during inclement weather and when not in use.