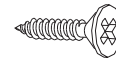


Thank you for purchasing the **Activity Table Bin**. This page lists all the contents included in the box. Please take the time to identify the hardware as well as the individual components to this product. As you unpack and prepare for assembly, place the contents on a carpeted or padded area to protect them from damage. Note: 2 people are required to safely assemble this product.

**! WARNING: Adult Assembly Required**

## HARDWARE



32 - screws




16 - bolts

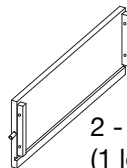
Missing hardware? Please call **800.933.9904** for replacements.

## TOOLS REQUIRED

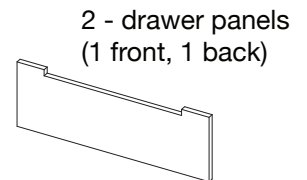
Phillips head screwdriver 

Allen wrench (included) 

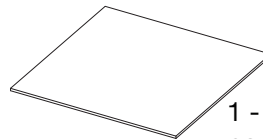
## COMPONENTS



2 - side panels  
(1 left, 1 right)



2 - drawer panels  
(1 front, 1 back)



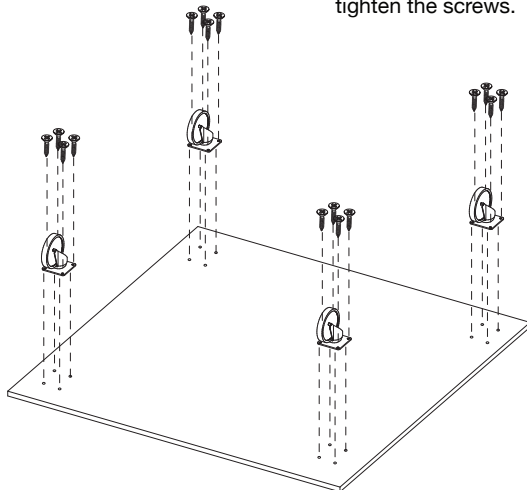
1 - bottom  
panel



4 - casters

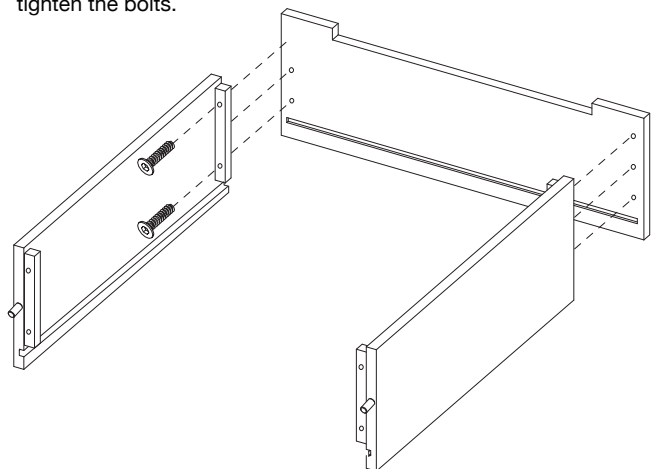
## ASSEMBLY

NOTE: Do not over tighten the screws.



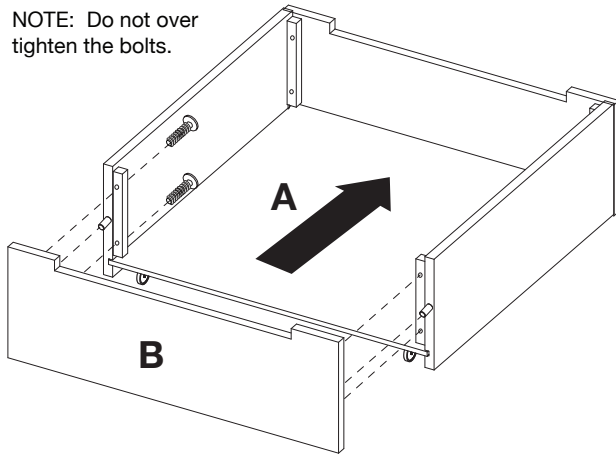
**1** Attach 4 **casters** to **bottom panel** with 4 **screws** per caster. Secure, but do not over tighten, screws with a **Phillips head screwdriver**.

NOTE: Do not over tighten the bolts.



**2** Fit preassembled dowels of **left and right side panels** into corresponding holes of **back drawer panel**. Secure drawer panel with 4 **bolts**, using an **Allen wrench**. Do not over tighten.

NOTE: Do not over tighten the bolts.



- A. With assistance of another adult, fit **bottom panel** into corresponding grooves of assembly as shown.
- B. Fit preassembled dowels of **left and right side panels** into corresponding holes of **front drawer panel**. Secure drawer panel with 4 **bolts**, using an **allen wrench**.

3

Assembly is now complete.

## CLEANING AND CARE

Clean surfaces with a dry or damp soft cloth. Do not use abrasive cleaners. Do not use furniture wax or polish as the unit is finished with a protective clear lacquer.