


Thank you for purchasing the **Silverstein 24/44" Wall Shelf**. This page lists all the contents included in the box. Please take the time to identify the hardware as well as the individual components to this product. As you unpack and prepare for assembly, place the contents on a carpeted or padded area to protect them from damage.

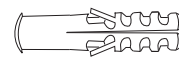
Note: 2 people are required to safely install this product.

 **WARNING:** Adult Assembly Required

MOUNTING HARDWARE



2 - screws



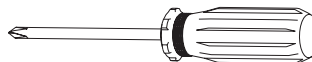
2 - plastic anchors



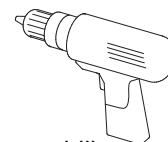
2 - caps

Missing hardware? Please call **800.606.6387** for replacements.

TOOLS REQUIRED



Phillips head screwdriver

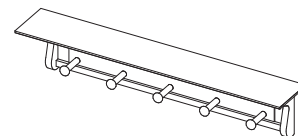


power drill
(for pilot holes only)

(We recommend the use of hand tools instead of power tools)

COMPONENTS

1 - wall shelf

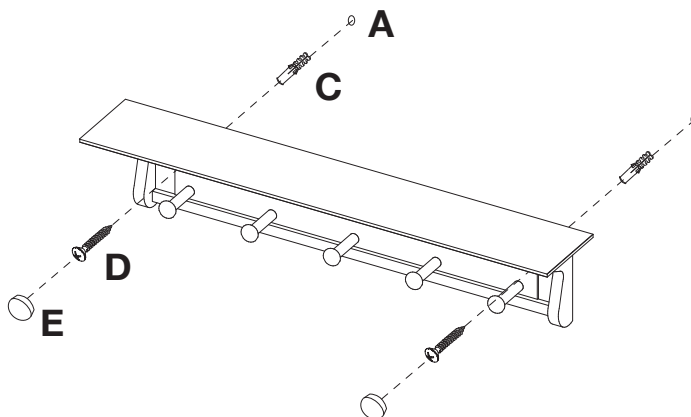


CLEANING AND CARE

Clean surfaces with a dry or damp soft cloth.
Do not use abrasive cleaners.

WALL MOUNTING INSTRUCTIONS

For added safety and stability, it is recommended that the wall mounting hardware be installed. For safe mounting, it is essential to use wall anchors appropriate to your wall type (i.e. plaster, drywall, concrete, etc.). Mount to wood studs whenever possible. The following instructions are for drywall mounting only:



- Determine where you wish to hang the wall shelf and mark on the wall where the 2 anchors should be inserted.
24" wall shelf: The distance between the 2 hanging screws is 17-5/8".
44" wall shelf: The distance between the 2 hanging screws is 37-5/8".
Make sure both marks are level.
- Drill a pilot hole for each anchor slightly smaller than the diameter of the drywall anchor.
- Insert 1 **plastic anchor** into each hole until the head of the anchor is flush with the surface of the wall. Gently tap with a hammer if necessary.
- Align holes in **wall shelf** with **plastic anchors** on wall. Using a **Phillips head screwdriver**, fasten 2 **screws** through holes in **wall shelf** and into **plastic anchors**. Make sure shelf is securely supported in place.
- Insert 2 **caps** over screws.
Wall mounting is now complete.