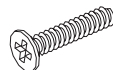


Thank you for purchasing the **Simple Bookcase**. This page lists all the contents included in the box. Please take the time to identify the hardware as well as the individual components to this product. As you unpack and prepare for assembly, place the contents on a carpeted or padded area to protect them from damage. Note: 2 people are required to safely assemble this product.

**! WARNING: Adult Assembly Required**

## ASSEMBLY HARDWARE



12 - bolts



12 - spring washers



12 - flat washers



4 - shelf supports



20 - large screws

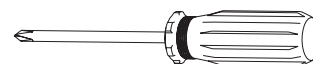


4 - small screws

Missing hardware? Please call **800.933.9904** for replacements. NOTE: Contains small parts. Keep away from small children.

## TOOLS REQUIRED

Phillips head screwdriver

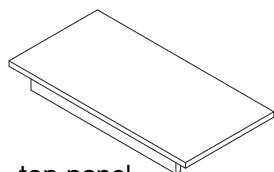


(We recommend the use of hand tools instead of power tools)

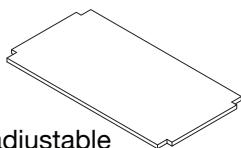
## CLEANING AND CARE

Clean surfaces with a dry or damp soft cloth. Do not use abrasive cleaners. Do not use furniture wax or polish as the unit is finished with a protective clear lacquer.

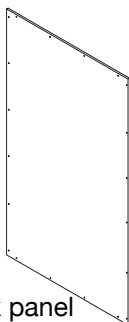
## COMPONENTS



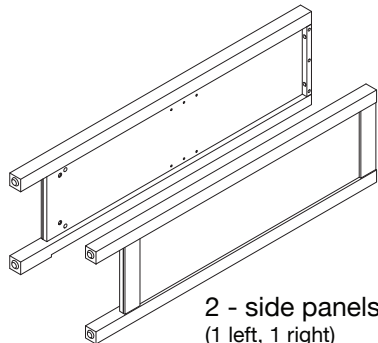
1 - top panel



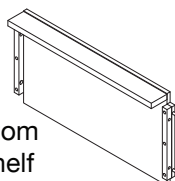
1 - adjustable shelf



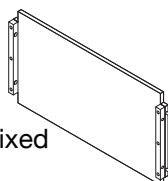
1 - back panel



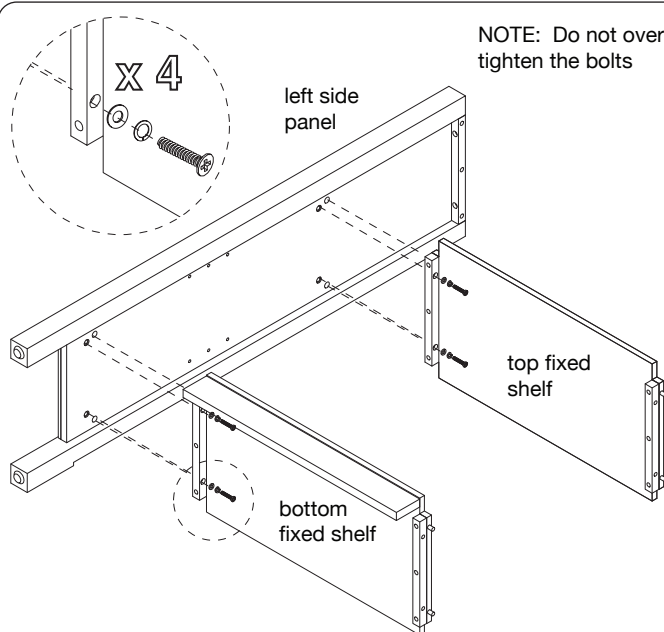
2 - side panels  
(1 left, 1 right)



1 - bottom fixed shelf



1 - top fixed shelf

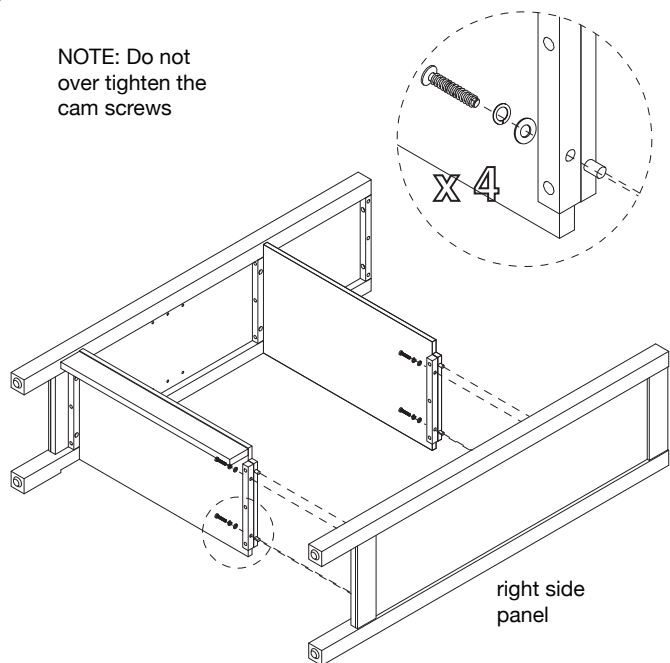


NOTE: Do not over tighten the bolts

Fit pre-attached dowels of **bottom and top fixed shelves** into corresponding holes of **left side panel**. Secure each shelf, but do not over tighten, with **2 bolts**, **2 spring washers** and **2 flat washers** as shown, using a **Phillips head screwdriver**.

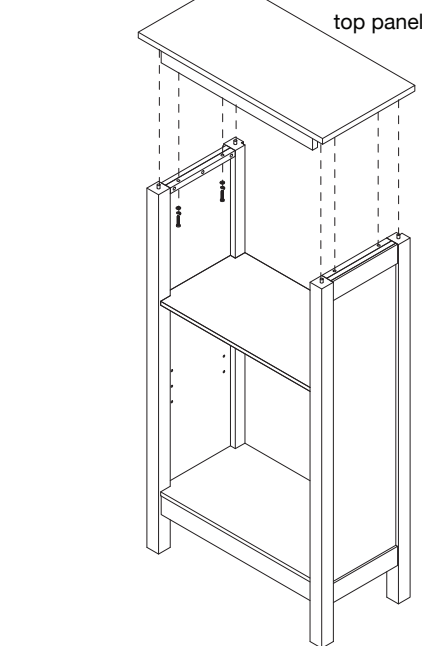
**1**

NOTE: Do not over tighten the cam screws



2

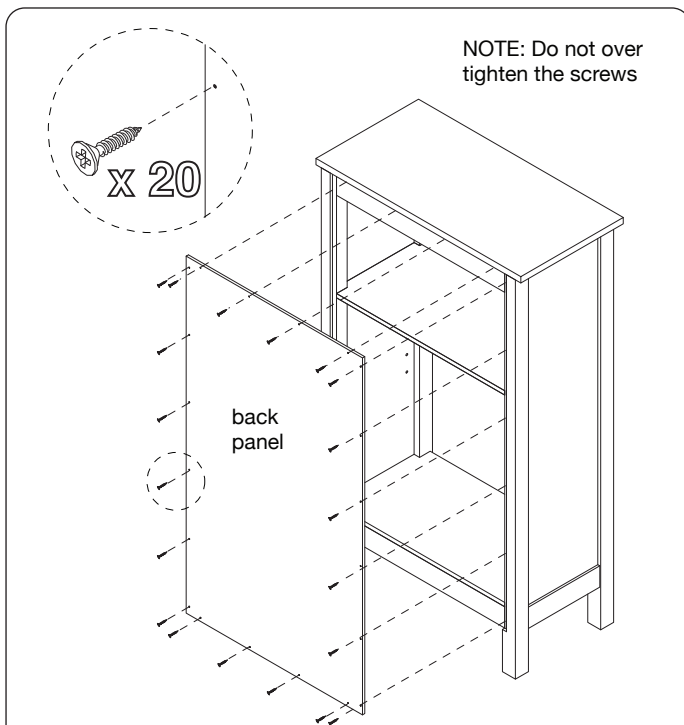
Fit pre-attached dowels of **bottom and top fixed shelves** into corresponding holes of **right side panel**. Secure each shelf with **2 bolts**, **2 spring washers** and **2 flat washers** as shown.



3

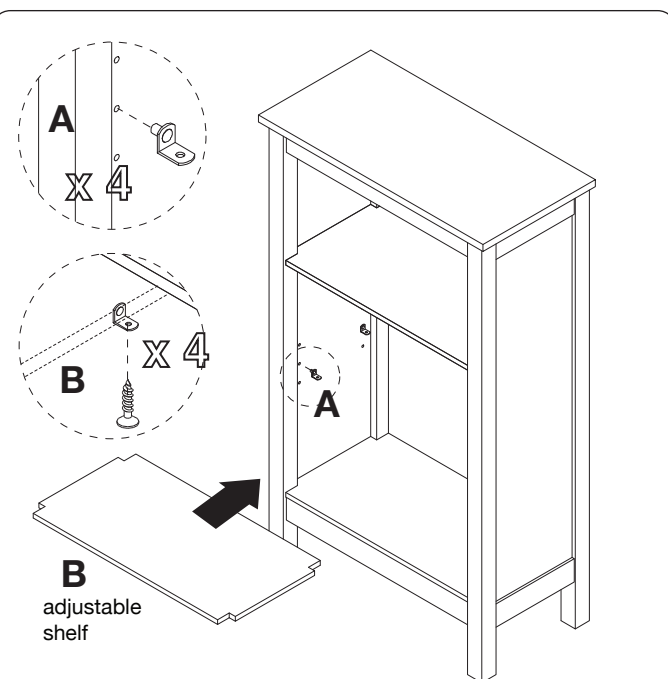
With the assistance of another adult, carefully position unit upright. Attach **top panel** to **side panels** with **4 bolts**, **4 spring washers** and **4 flat washers** as shown.

NOTE: Do not over tighten the screws



4

Attach **back panel** to back of assembly with **20 large screws** as shown, using a screwdriver. Do not over tighten the screws.



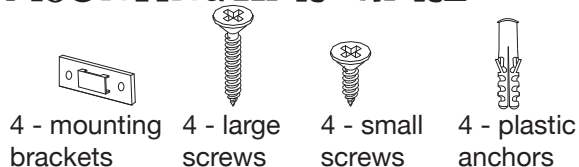
5

A. Insert **4 shelf supports** into assembly at desired shelf height.  
B. Fit **adjustable shelf** onto **shelf supports** and secure with **1 small screw** per support. Assembly is now complete.

# ! WARNING

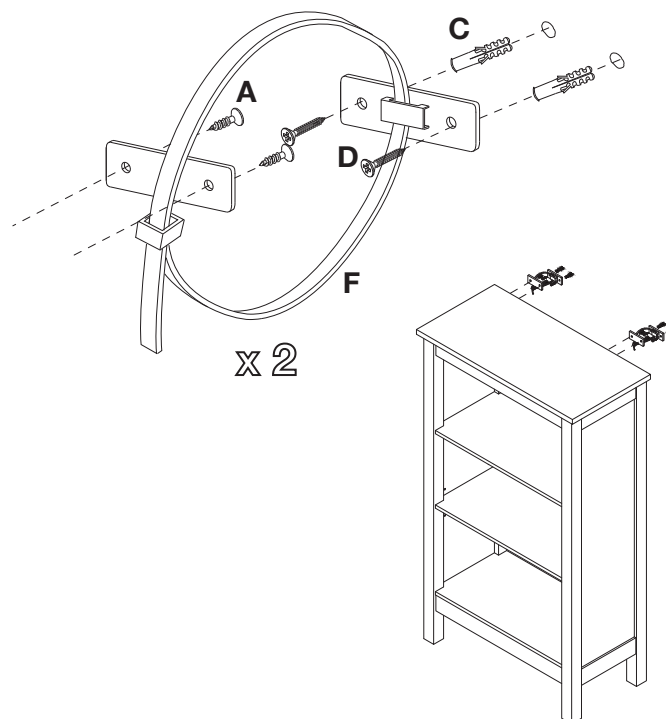
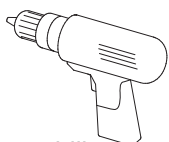
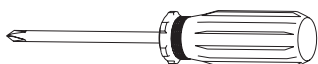
Serious or fatal crushing injuries can occur from furniture tip over. Use of tip-over restraints may only reduce, but not eliminate, the risk of tip-over. To help prevent tip-over, install tip restraint per instructions below.

## MOUNTING HARDWARE



Missing hardware? Please call **800.933.9904** for replacements. NOTE: Contains small parts. Keep away from small children.

## TOOLS REQUIRED



## WALL MOUNTING ASSEMBLY

For added safety and stability, it is recommended that the wall mounting hardware be installed. For safe mounting, it is essential to use wall anchors appropriate to your wall type (i.e. plaster, drywall, concrete, etc.). Mount to wood studs whenever possible.

- A) Attach 2 **mounting brackets** to top of unit with 2 **small screws** per bracket as shown. Secure, but do not over tighten, with a **phillips head screwdriver**.
  - B) Determine the final location of unit. Mark each position on the wall, approximately 2" below the mounting bracket mounted to the back of the unit.
  - C) Drill 2 holes into marked positions on the wall and into a wall stud. If the wall stud is not available, drill a hole in the wall that is slightly smaller in diameter than the anchor. Gently tap 2 **plastic anchors** until the flange of each anchor is flush with the wall.
  - D) Attach 2 **mounting brackets** to the wall with 2 **large screws** per bracket as shown. Using a screwdriver, make sure the screws are secured through the mounting bracket and into the plastic anchor in the wall.
  - E) With the assistance of another adult, position the unit so the mounting brackets on the back edge are aligned with the mounting brackets on the wall.
  - F) Attach 2 **wall straps** to corresponding 2 mounting brackets as shown. Lace one end of the **wall strap** through both brackets and into the other end of the strap. Pull tightly on the wall strap to secure.
- Wall mounting assembly is now complete.