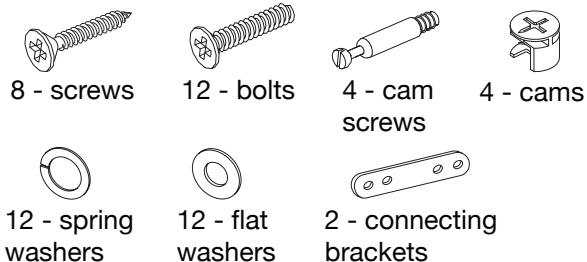


Thank you for purchasing the **Simple Desk Hutch**. This page lists all the contents included in the box. Please take the time to identify the hardware as well as the individual components to this product. As you unpack and prepare for assembly, place the contents on a carpeted or padded area to protect them from damage. Note: 2 people are required to safely assemble this product.

## ASSEMBLY HARDWARE



Missing hardware? Please call **800.933.9904** for replacements.  
NOTE: Contains small parts. Keep away from small children.

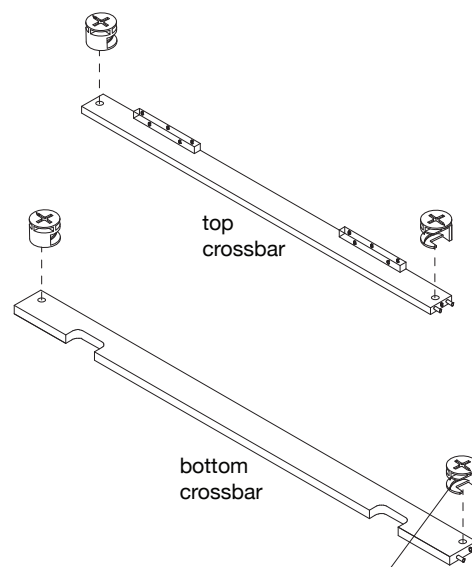
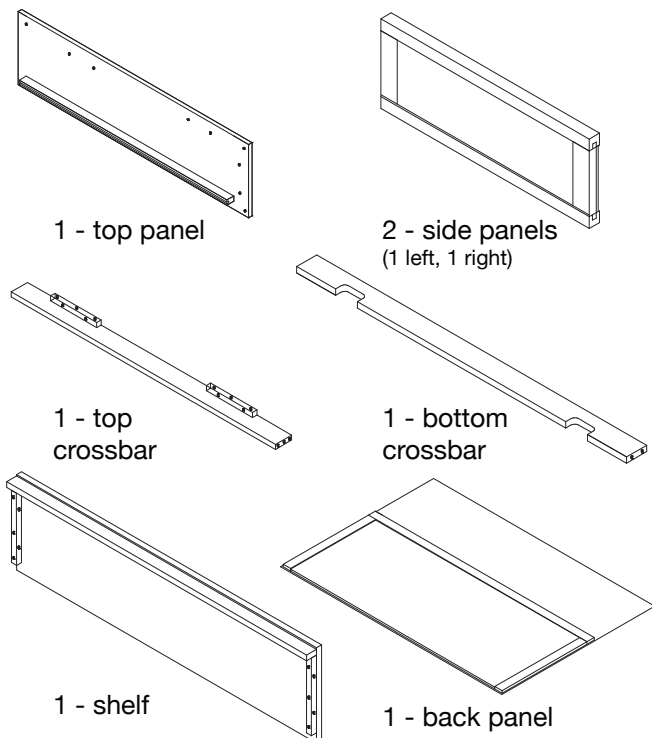
## TOOLS REQUIRED



Phillips head screwdriver      flat head screwdriver  
(We recommend the use of hand tools instead of power tools)

**! WARNING: Adult Assembly Required**

## COMPONENTS

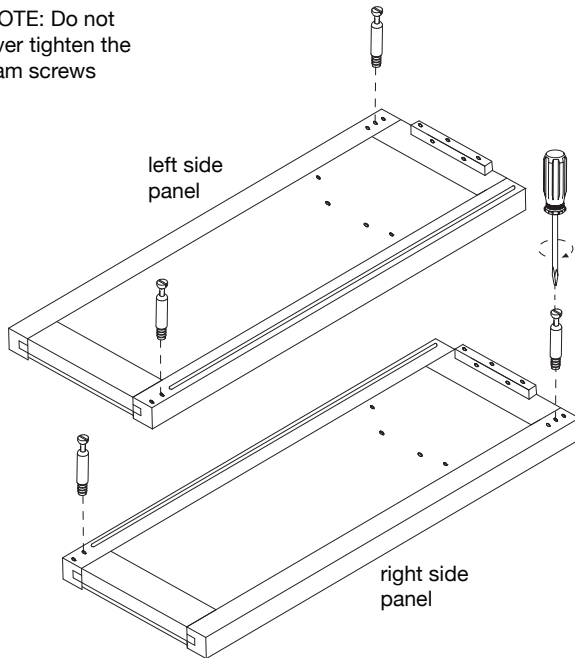


NOTE: Make sure arrows on each cam point towards nearest edge with holes

**1**

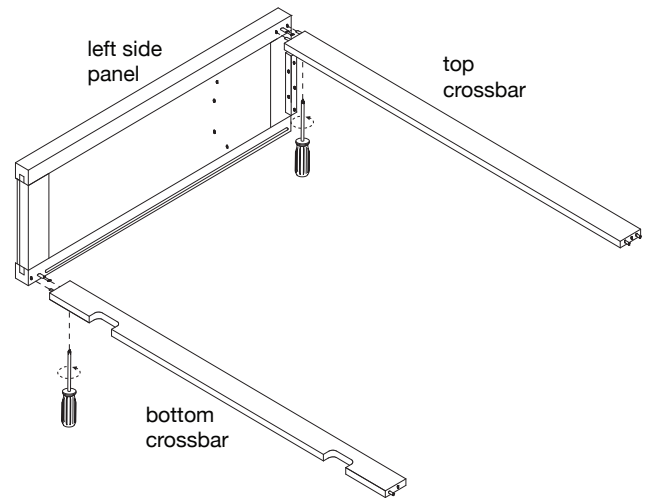
Insert 2 **cams** into **top and bottom crossbar** as shown. Make sure arrows on each cam point toward nearest edge with holes.

NOTE: Do not over tighten the cam screws



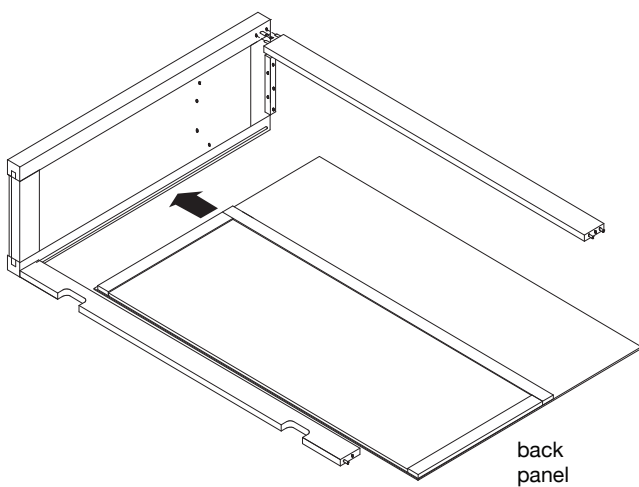
**2**

Insert 2 **cam screws** into **left and right side panels** as shown. Secure, but do not over tighten cam screws with a **flat head screwdriver**.



**3**

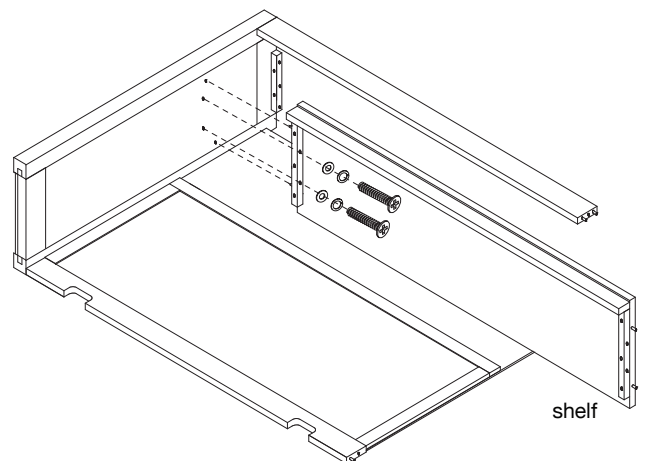
Fit dowels of **top and bottom crossbars** into corresponding holes of **left side panel** as shown. With a **phillips head screwdriver**, turn each cam clockwise until it securely engages each cam screw.



**4**

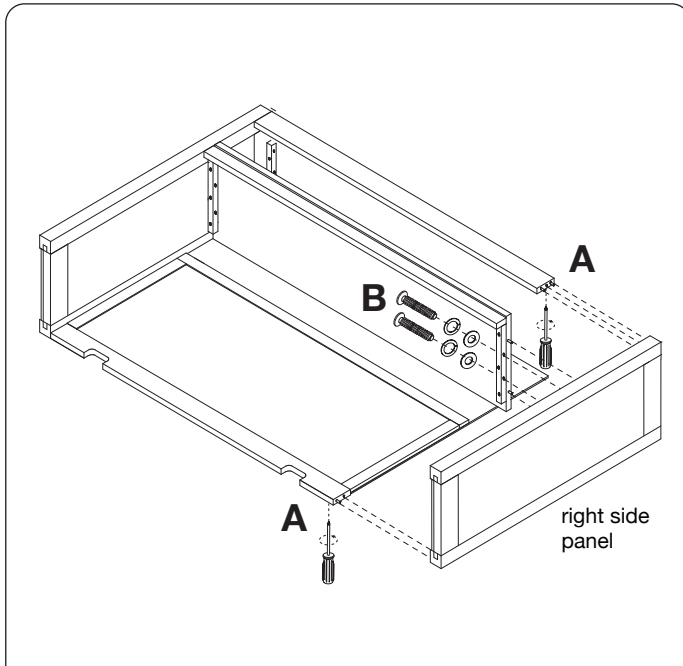
Slide **back panel** into corresponding grooves of assembled unit as shown.

NOTE: Do not over tighten the bolts



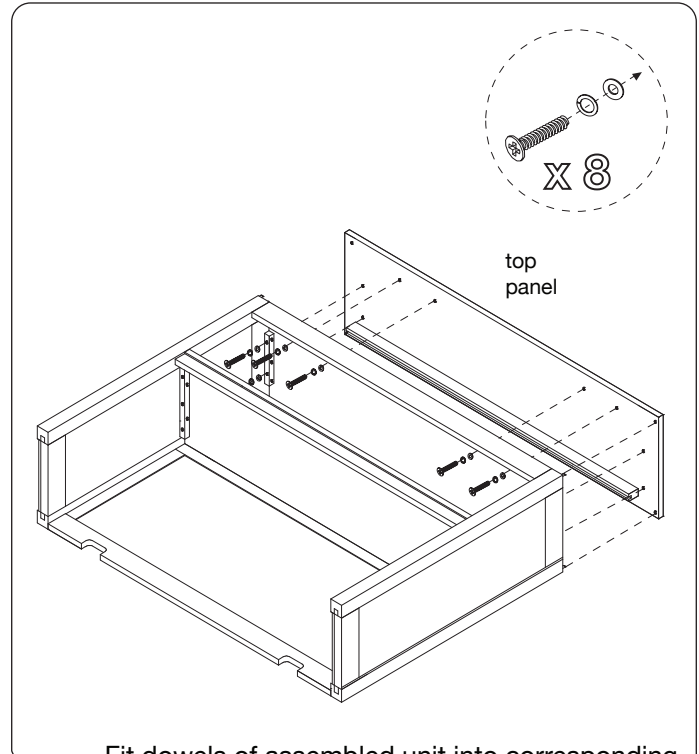
**5**

Fit dowels of **shelf** into corresponding holes of assembled unit shown. Secure with 2 **bolts**, 2 **spring washers** and 2 **flat washers** using a screwdriver. Do not over tighten the bolts.



A) Fit dowels of assembled unit into corresponding holes of **right side panel** as shown. Secure all cams.

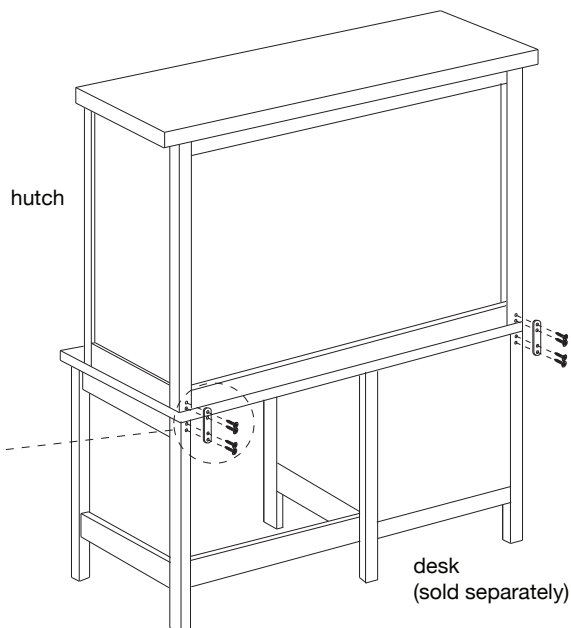
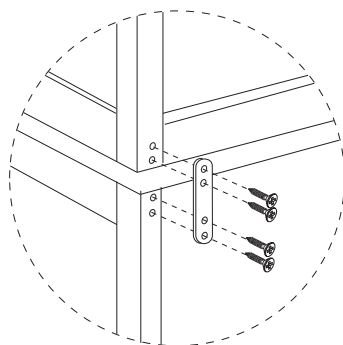
**6** B) Secure **right side panel** to **shelf** with **2 bolts**, **2 spring washers** and **2 flat washers**.



Fit dowels of assembled unit into corresponding holes of **top panel** as shown. Secure with **8 bolts**, **8 spring washers** and **8 flat washers**.

**7**

With the assistance of another adult, carefully position unit upright and place onto desk (sold separately) as shown. Attach 2 **connecting brackets** to desk and hutch assembly with 4 **screws** per bracket as shown, using a screwdriver. Assembly is now complete.



**8**

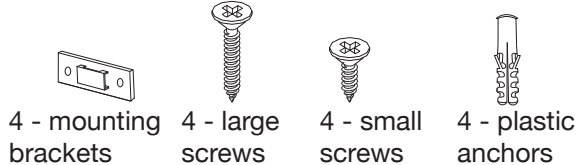
### CLEANING AND CARE

Clean surfaces with a dry or damp soft cloth. Do not use abrasive cleaners. Do not use furniture wax or polish as the unit is finished with a protective clear lacquer.

# **WARNING**

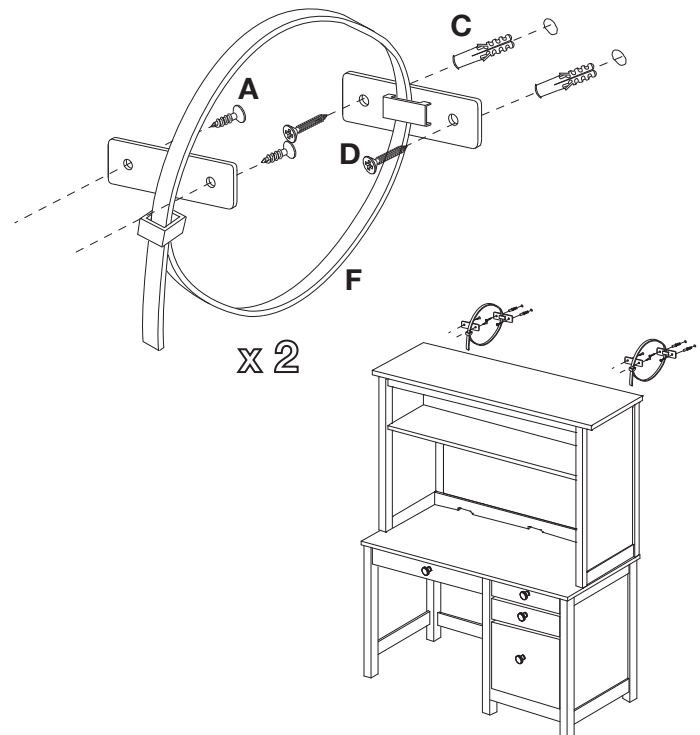
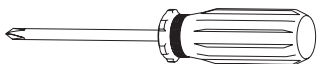
**Serious or fatal crushing injuries can occur from furniture tip over. Use of tip-over restraints may only reduce, but not eliminate, the risk of tip-over. To help prevent tip-over, install tip restraint per instructions below.**

## MOUNTING HARDWARE



Missing hardware? Please call **800.933.9904** for replacements. NOTE: Contains small parts. Keep away from small children.

## TOOLS REQUIRED



## WALL MOUNTING ASSEMBLY

For added safety and stability, it is recommended that the wall mounting hardware be installed. For safe mounting, it is essential to use wall anchors appropriate to your wall type (i.e. plaster, drywall, concrete, etc.). Mount to wood studs whenever possible.

- A) Attach 2 **mounting brackets** to top of unit with 2 **small screws** per bracket as shown. Secure, but do not over tighten, with a **phillips head screwdriver**.
- B) Determine the final location of unit. Mark each position on the wall, approximately 2" below the mounting bracket mounted to the back of the unit.
- C) Drill 2 holes into marked positions on the wall and into a wall stud. If the wall stud is not available, drill a hole in the wall that is slightly smaller in diameter than the anchor. Gently tap 2 **plastic anchors** until the flange of each anchor is flush with the wall.
- D) Attach 2 **mounting brackets** to the wall with 2 **large screws** per bracket as shown. Using a screwdriver, make sure the screws are secured through the mounting bracket and into the plastic anchor in the wall.
- E) With the assistance of another adult, position the unit so the mounting brackets on the back edge are aligned with the mounting brackets on the wall.
- F) Attach 2 **wall straps** to corresponding 2 mounting brackets as shown. Lace one end of the **wall strap** through both brackets and into the other end of the strap. Pull tightly on the wall strap to secure. Wall mounting assembly is now complete.