




WARNING

- Do not place bed near windows where cords from blinds or drapes may strangle a child.
- Do not place items with a string, cord, or ribbon around a child's neck, such as hood strings or pacifier cords
- Do not suspend strings over a bed for any reason
- The minimum age shall be no less than 15 months
- The intended mattress dimension on the bed is 53"-54"W x 74"-75"L

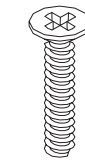


Thank you for purchasing the **Simple Framed Full Bed**. This page lists all the contents included in the box. Please take the time to identify the hardware as well as the individual components to this product. As you unpack and prepare for assembly, place the contents on a carpeted or padded area to protect them from damage.

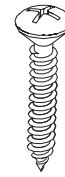
Note: 2 people are required to safely assemble this product.

 **WARNING: Adult Assembly Required**

HARDWARE



12 - bolts



6 - large
screws



2 - small
screws



12 - spring
washers

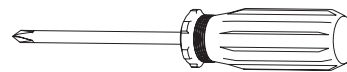


12 - flat
washers

Missing hardware? Please call **800.933.9904** for replacements.

NOTE: Contains small parts. To avoid danger keep away from small children.

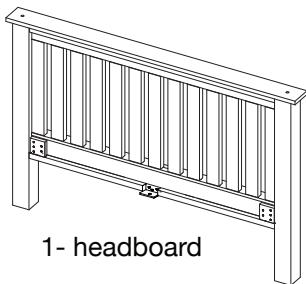
TOOLS REQUIRED



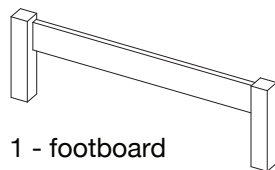
Phillips head screwdriver

(We recommend the use of hand tools instead of power tools)

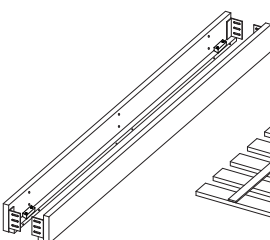
COMPONENTS



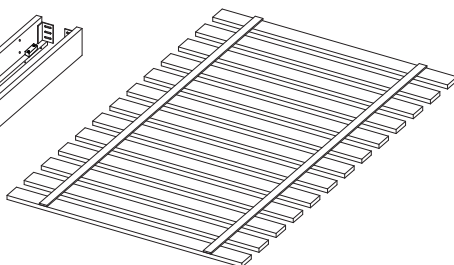
1 - headboard



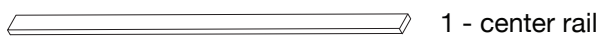
1 - footboard



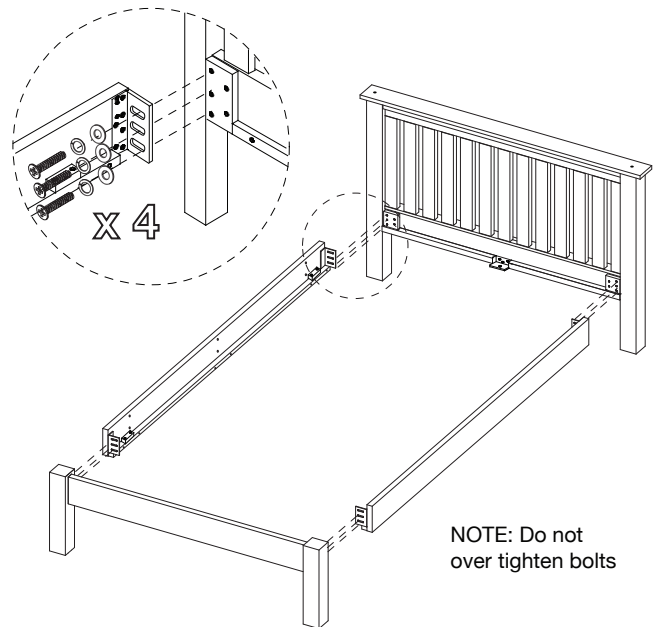
2 - side rails
(1 left, 1 right)



1 - slat
assembly



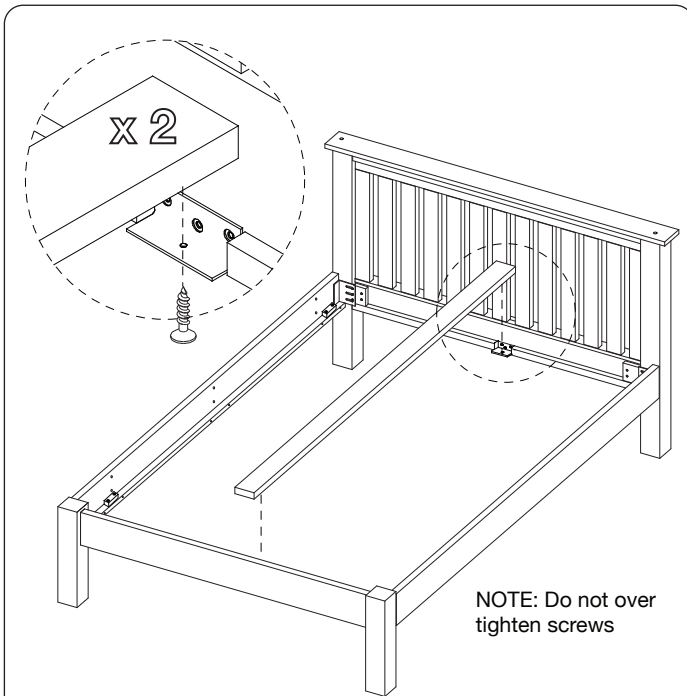
1 - center rail



NOTE: Do not
over tighten bolts

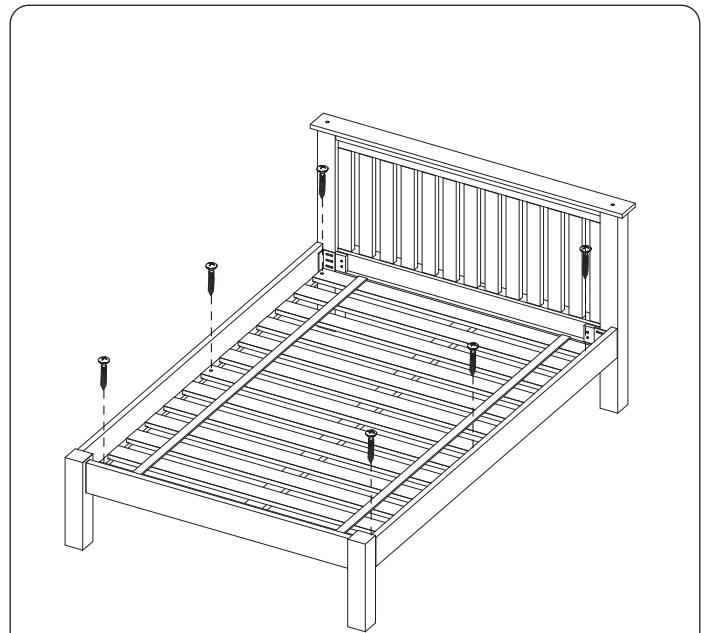
With assistance of another adult, attach **side rails** to **headboard** and **footboard** with **3 bolts**, **3 spring washers** and **3 flat washers** per bracket as shown. Secure, but do not over tighten, bolts with a **Phillips head screwdriver**.

1



2

Fit **center rail** to brackets onto **headboard** and **footboard** as shown. Secure, but do not over tighten, rail with 1 **small screw** using a screwdriver.



3

With the assistance of another adult, place **slat assembly** into bed assembly and secure with 6 **large screws** as shown, using a screwdriver. Assembly is now complete.

CLEANING AND CARE

Clean surfaces with a dry or damp soft cloth. Do not use abrasive cleaners. Do not use furniture wax or polish as the unit is finished with a protective clear lacquer.