

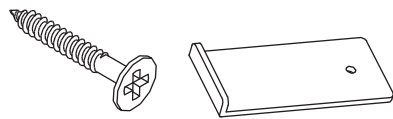
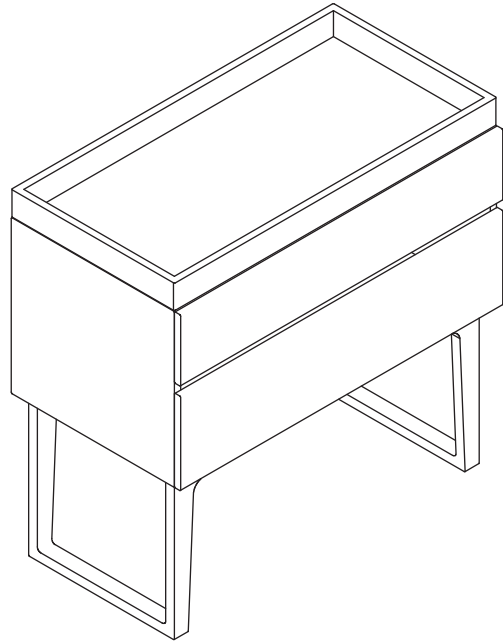
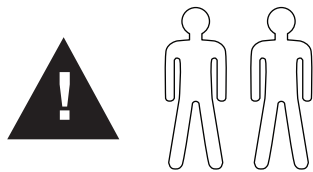
⚠ WARNING:

- Read all instructions before use of the changing tray.
 - Keep instructions for future use.
 - Do not use changing tray if it is damaged or broken.
 - The Land of Nod does not recommend using the changing tray for children over 30 lb.
- FALL HAZARD** – To prevent death or serious injury, always keep child within arm’s reach.
NEVER LEAVE CHILD UNATTENDED.
- Always secure this changing tray to the changing surface using the mounting hardware provided.
 - This changing tray is designed to be used only with a Land of Nod changing pad. The dimensions of that pad are 34 ½” x 16 ¼” x 4”.
 - If attached to any other surface, the minimum dimensions needed are 37” x 18 ½”. The surface must be level, stable, and structurally sound.
 - This product is not intended to be used as a changing table without a Land of Nod changing pad. Use of the product without this may result in death or serious injury to your child from falling. Follow all instructions on attaching and using an Land of Nod changing pad.

This page lists the contents included in the box. Please take time to identify the hardware as well as the individual components of the product. As you unpack and prepare for assembly, place the contents on a carpeted or padded area to protect them from damage. Please follow the assembly instructions closely.

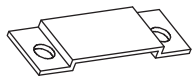
Improper assembly can result in personal or property damage.

Note: 2 adults are required to safely assemble this product.

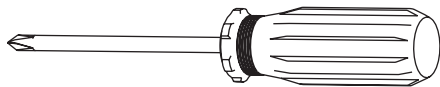


x 08

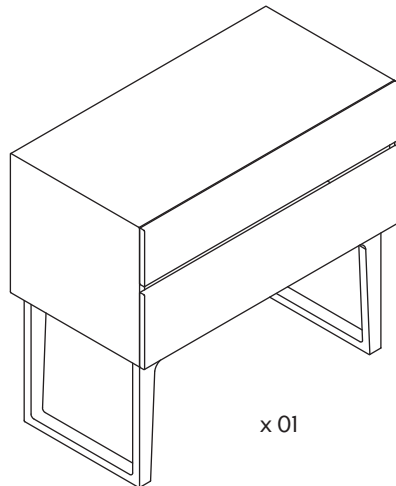
x 02



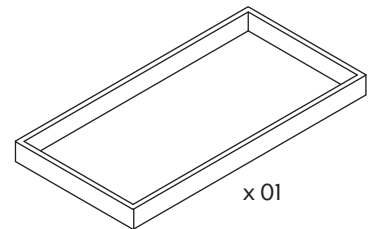
x 04



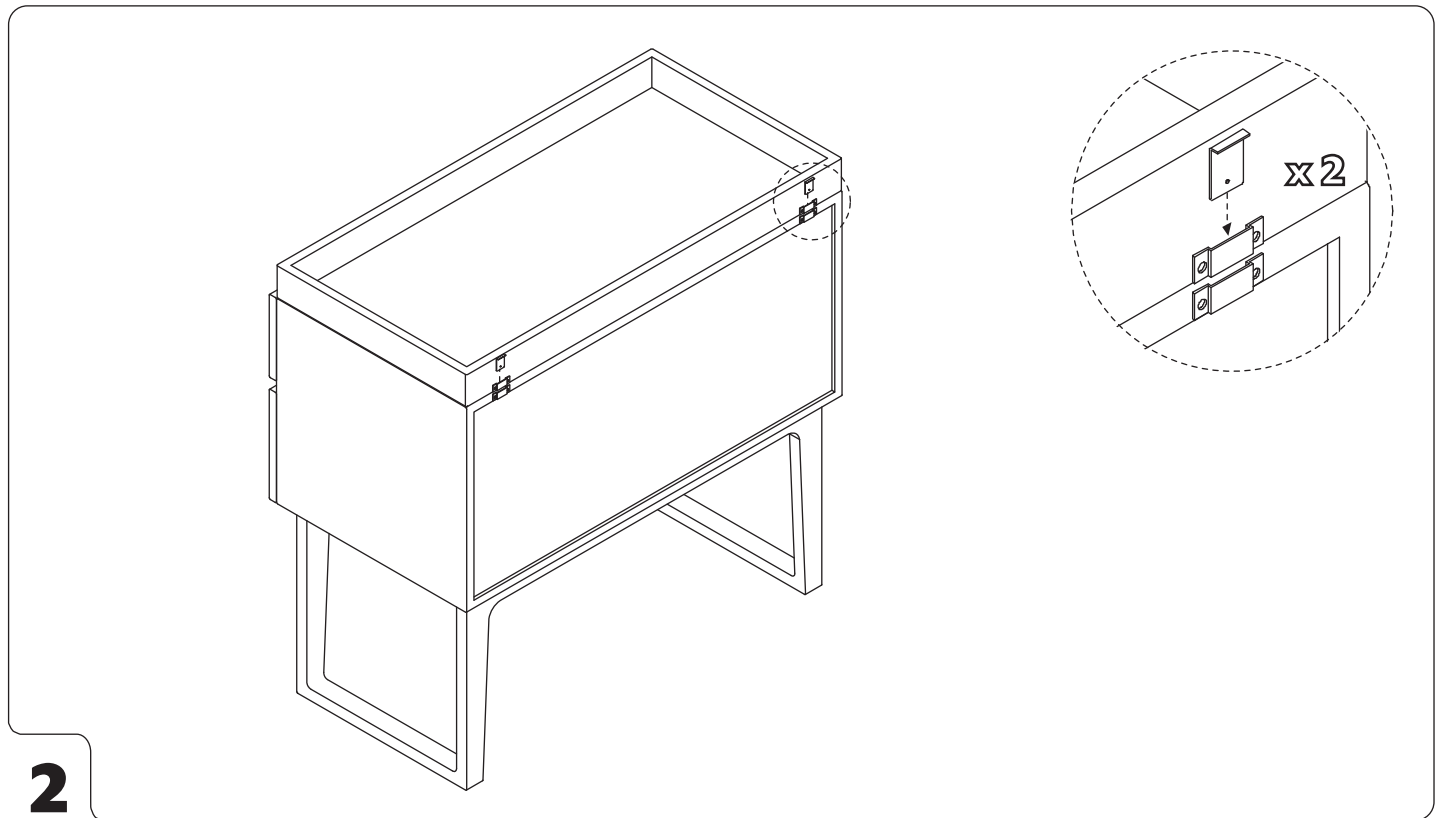
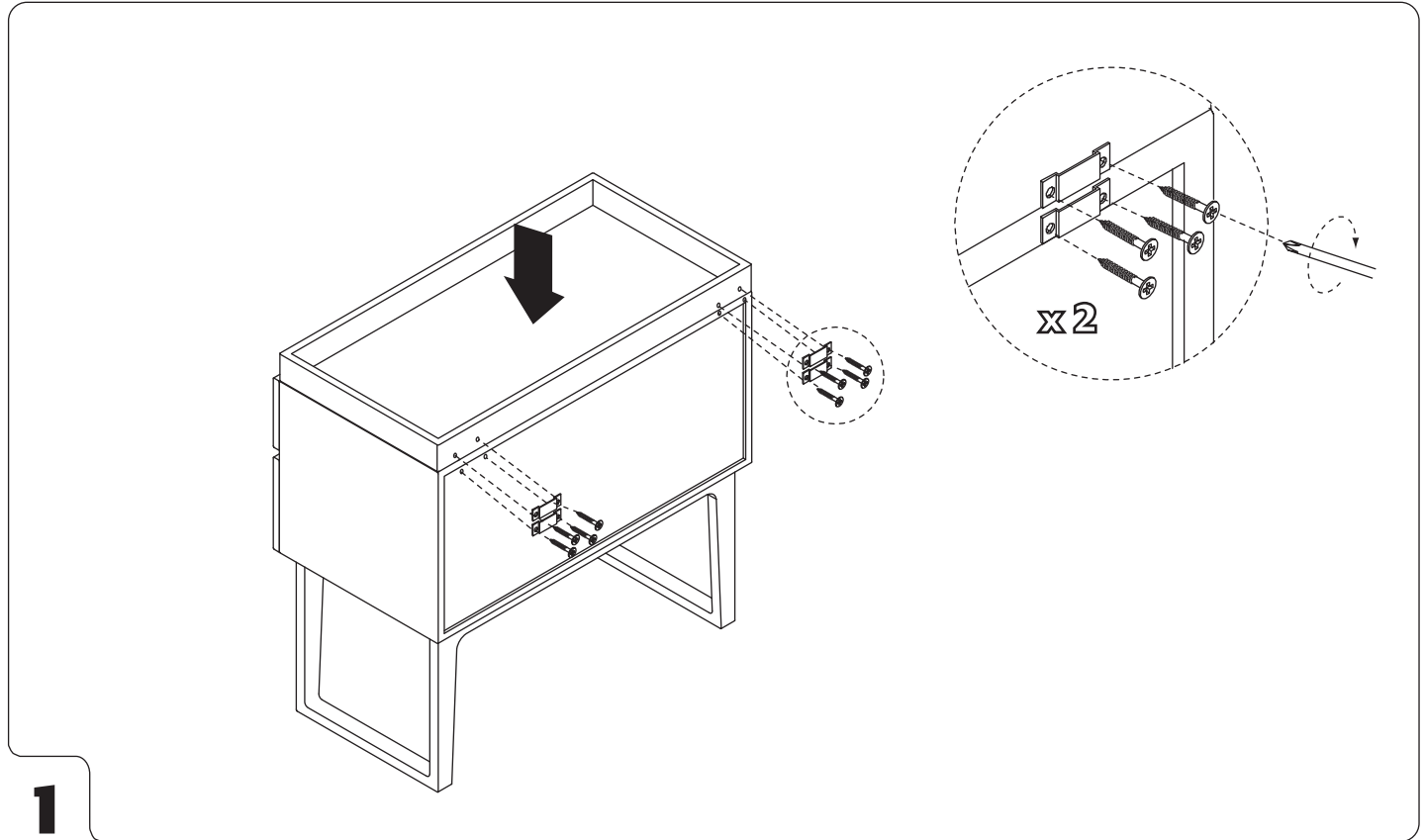
NOT INCLUDED

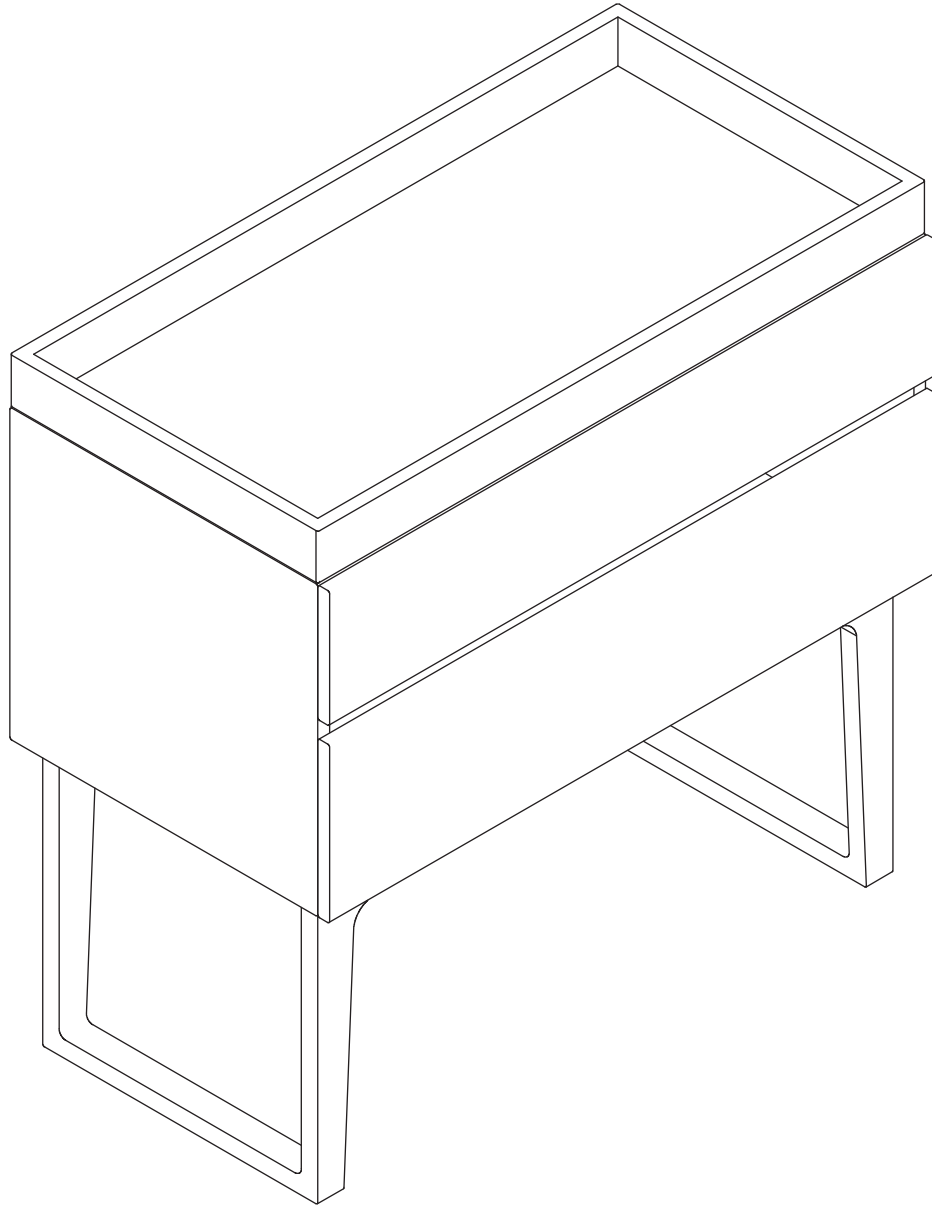


x 01



x 01





3

CLEANING AND CARE:

Clean surfaces with a dry or damp soft cloth. Do not use abrasive cleaners. Periodically check and tighten hardware as necessary.