
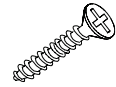


Thank you for purchasing the **Easel Does It Art Easel**. This page lists all the contents included in the box. Please take the time to identify the hardware as well as the individual components to this product. As you unpack and prepare for assembly, place the contents on a carpeted or padded area to protect them from damage. Note: This product is intended for children 3 years of age and older. 2 people are required to safely assemble this product.

 **WARNING: Adult Assembly Required**

### HARDWARE



8 - phillips screws



8 - small bolts



6 - large bolts



2 - allen screws



2 - medium bolts



8 - bolt caps



6 - flat washers

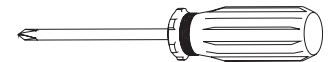


2 - knobs

Missing hardware? Please call **800.933.9904** for replacements. NOTE: Contains small parts. Keep away from small children.

### TOOLS REQUIRED

phillips head screwdriver

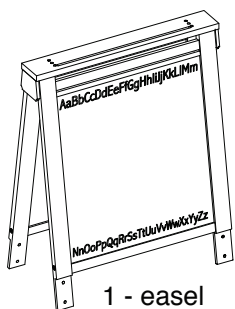


allen wrench (included)

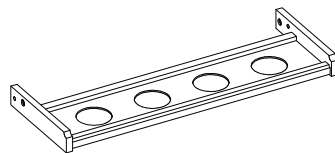


(We recommend the use of hand tools instead of power tools)

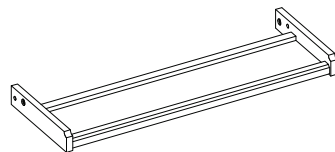
### COMPONENTS



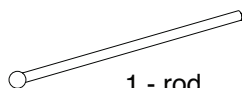
1 - easel assembly



1 - cutout shelf



1 - shelf



1 - rod



4 - legs



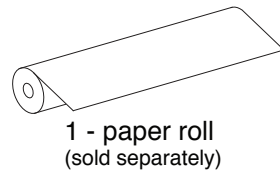
2 - connectors



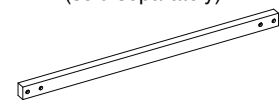
1 - rod knob



2 - supports

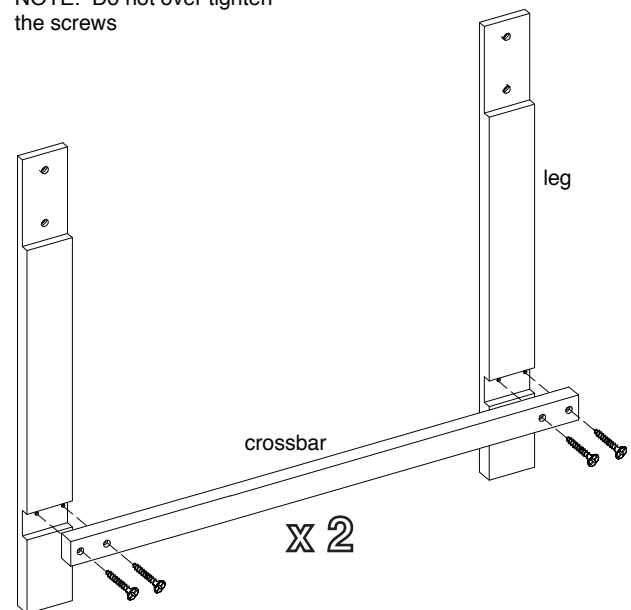


1 - paper roll (sold separately)



2 - crossbars

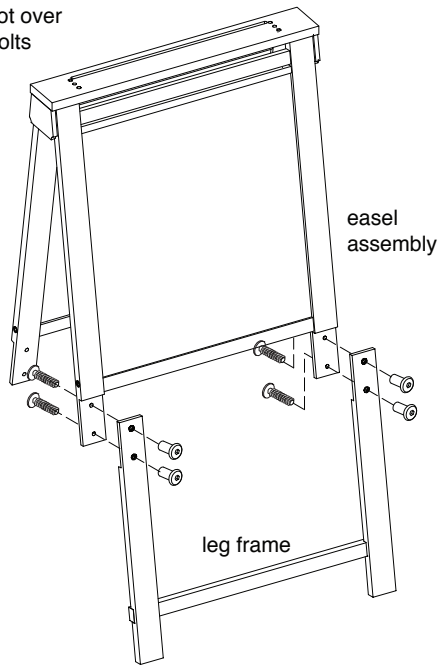
NOTE: Do not over tighten the screws



Attach 1 **crossbar** to 2 **legs** with 4 **phillips screws** as shown. Secure, but do not over tighten, with a **phillips head screwdriver**. Repeat assembly for remaining crossbar and uprights.

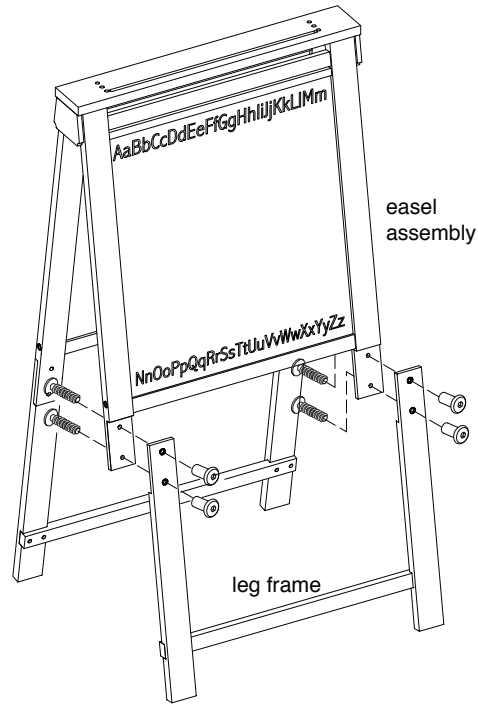
**1**

NOTE: Do not over tighten the bolts



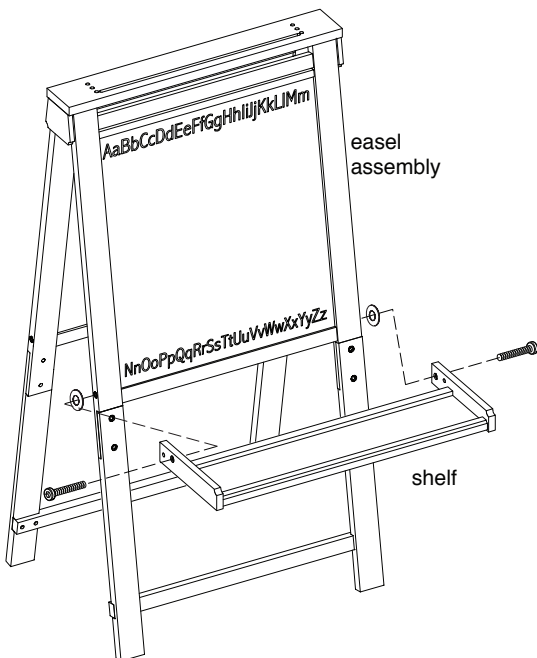
# 2

With assistance of another adult, attach **easel assembly** to **leg frame** with 4 **small bolts** and 4 **bolt caps** as shown. Secure, but do not over tighten, bolts with an **allen wrench**.



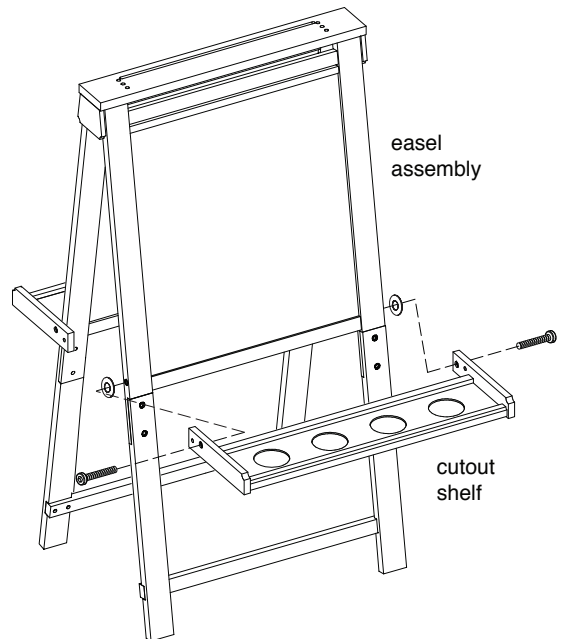
# 3

Attach **easel assembly** to remaining **leg frame** with 4 **small bolts** and 4 **bolt caps** as shown.



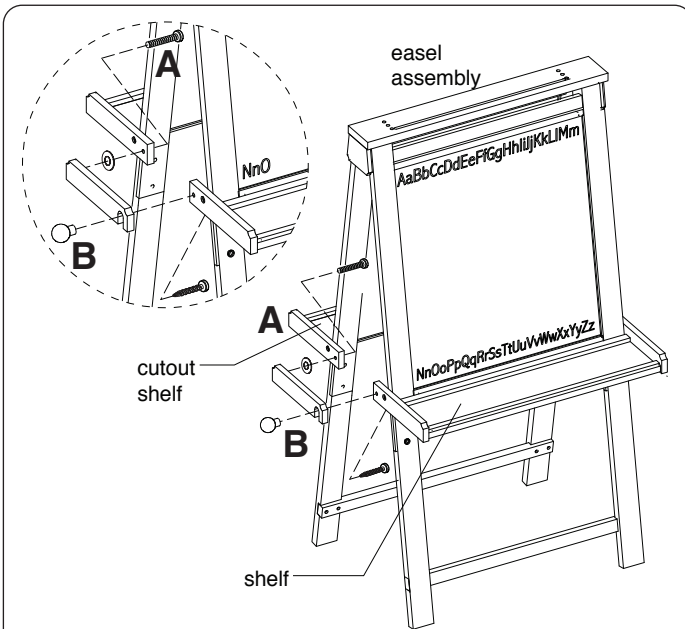
# 4

Attach **shelf** to **easel assembly** with 2 **large bolts** and 2 **flat washers** as shown. Secure bolts with an **allen wrench**.



# 5

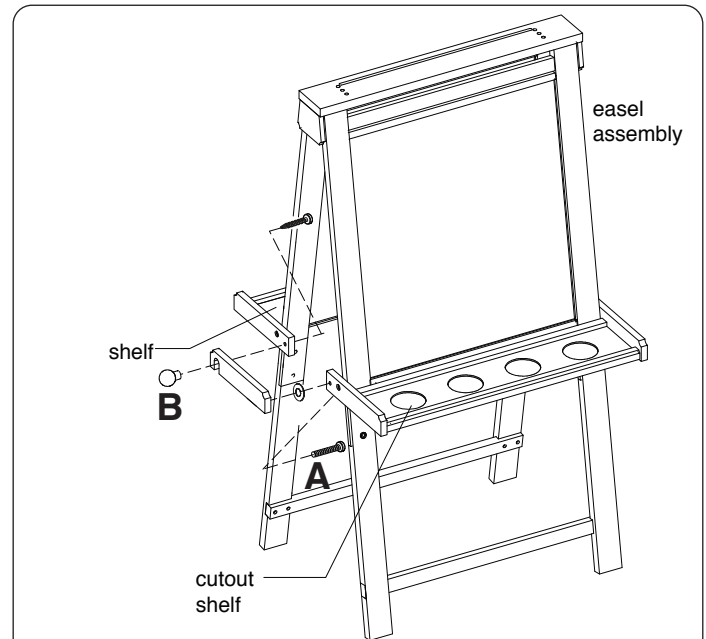
Attach **cutout shelf** to **easel assembly** with 2 **large bolts** and 2 **flat washers** as shown.



A. Attach **connector** to **cutout shelf** with 1 **medium bolt** and 1 **flat washer** as shown, using an **allen wrench**.

B. Attach **connector** to **shelf** with 1 **allen screw** and 1 **knob**, using an **allen wrench**. Turn **knob** clockwise to secure.

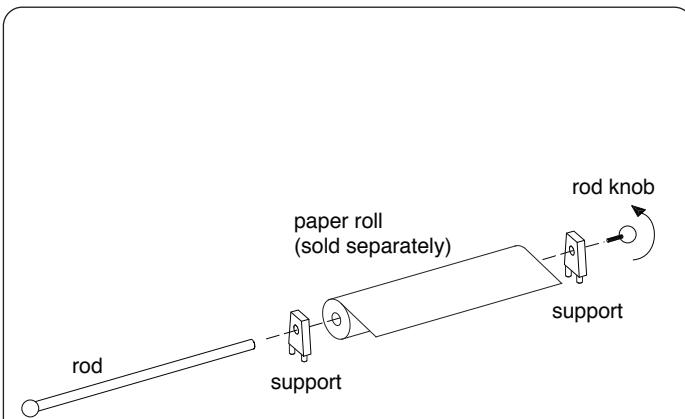
# 6



A. Attach **connector** to **cutout shelf** with 1 **medium bolt** and 1 **flat washer** as shown, using an **allen wrench**.

B. Attach **connector** to **shelf** with 1 **allen screw** and 1 **knob**, using an **allen wrench**. Turn **knob** clockwise to secure.

# 7

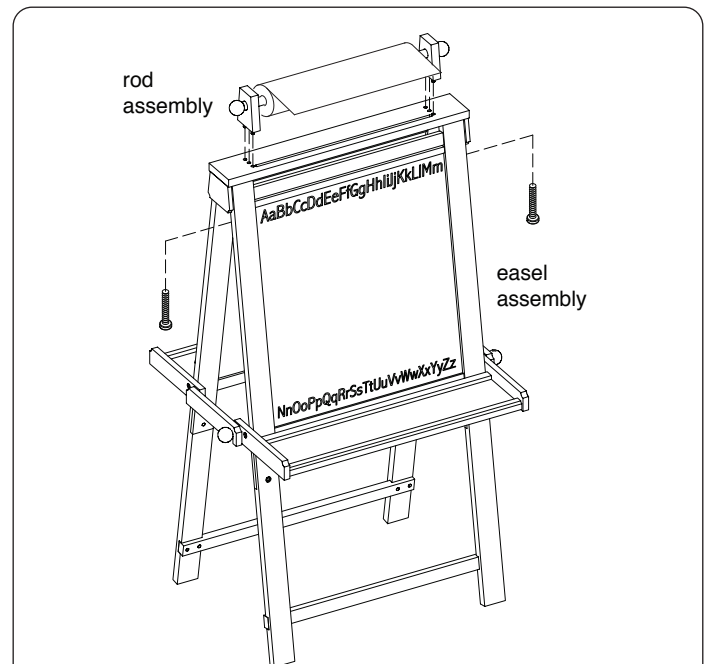


Fit **rod** into corresponding holes of 2 **supports** and **paper roll (sold separately)** as shown, and attach with **rod knob**. Turn **rod knob** counter-clockwise to secure.

# 8

## CLEANING AND CARE

Clean surfaces with a dry or damp soft cloth. Do not use abrasive cleaners. Do not use furniture wax or polish as the unit is finished with a protective clear lacquer. Dry-erase markers recommended for use on whiteboard. Do not use permanent or washable markers.



Fit pre-assembled dowels of **rod assembly** into corresponding holes of **easel assembly**, and secure with 2 **large bolts** as shown. Assembly is now complete.

# 9