

Thank you for purchasing the Wardrobe. This page lists all the contents included in the box. Please take the time to identify the hardware as well as the individual components to the product. As you unpack and prepare for assembly, place the contents on a carpeted or padded area to protect them from damage.



WARNING: Adult Assembly Required

WARNING: Assembly kit contains parts with sharp edges.

WARNING: Assembly kit contains parts with sharp points.

WARNING: Package contains plastic bags that present suffocation risks for children.

WARNING: Assembly kit contains small parts that present choking hazards for children.

Components:

- 1 - Center Panel
- 1 - Bottom Panel
- 4 - Shelves
- 1 - Shelf back
- 1 - Hanging rod
- 1 - Mirror panel*
- 1 - Peg panel
- 2 - Bottom trim panels
- 3 - Pegs

Hardware:

Hardware Included:

- 24 - Bolts
- 24 - Barrel nuts
- 3 - #8 x 5/8" screws
- 3 - Washers
- 1 - Allen wrench

Tools Required (not included):

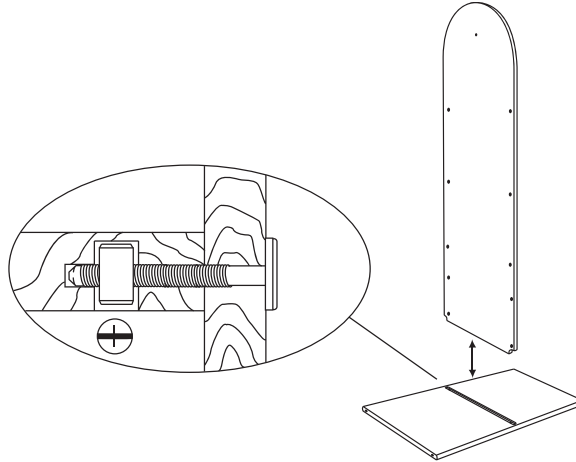
- Phillips Head Screwdriver
- (We recommend the use of hand tools instead of power tools)

* Do not remove protective film on mirror until assembly is complete.

Assembly Instructions:

Note: Assembly may be easier if placed on the side, not upright, on a protected surface.

1. Place the **Center panel** into the groove on the **Bottom shelf**. Insert two **Barrel nuts** into the bottom holes on the **Center panel**, making sure that the slotted side is showing and the holes of the **Barrel nuts** align with the holes in the **Bottom Shelf**. If necessary, use a **Phillips head screwdriver** to turn the nuts and align the holes. Insert two **Bolts** into the **Bottom shelf**, through the **Center panel** and the **Barrel nuts** and tighten with **Allen wrench**.

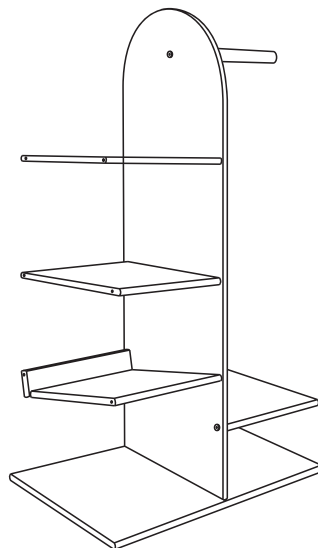


2. Attach the side shelves by placing them into the slotted grooves on the **Center panel**. Insert two **Barrel nuts** into the bottom holes on the **Shelves**, making sure that the slotted side is showing and the holes of the **Barrel nuts** align with the holes in the **Center Panel**. If necessary, use a **Phillips head screwdriver** to turn the nuts and align the holes. Insert two **Bolts** into the **Center panel**, through the **Shelves** and the **Barrel nuts** and tighten with **Allen wrench**.

Note: Do not fully tighten **Bolts** as you will need the shelves to move a bit when assembling sides.

For the angled shelf, place a **Shelf** and a **Shelf back** into the slotted grooves and attach in the same way as the other shelves.

Insert the **Hanging rod** into hole in the top of the **Center panel**. The **Hanging rod** is designed so that the **Barrel nut** will only fit on the underside. Insert a **Barrel nut** into the bottom hole on the **Hanging Rod**, and fasten with **Bolt** in the same fashion as Step 1. Do not fully tighten **Bolt** as you will need the **Hanging rod** to move a bit when assembling sides.

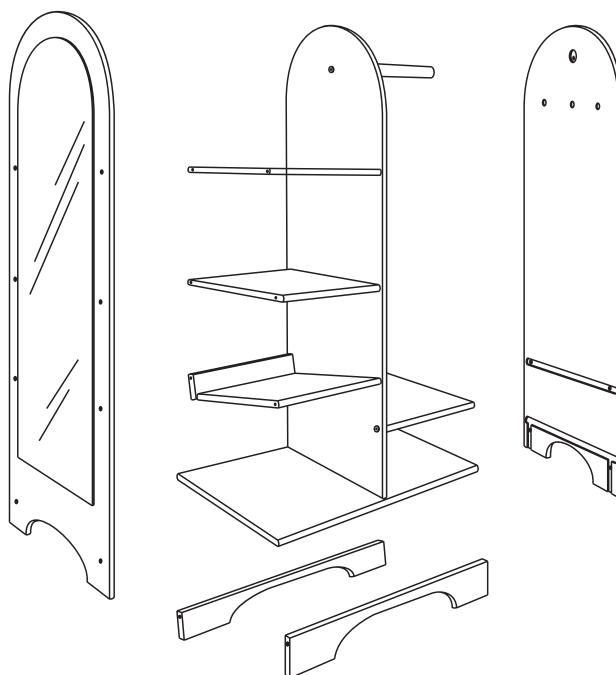


- Place the **Mirror Panel** onto the shelved side assembly, carefully aligning slotted grooves with the shelves. Insert two **Barrel nuts** into the remaining holes on the **Shelves**, and fasten with **Bolts** in the same fashion as Step 1.

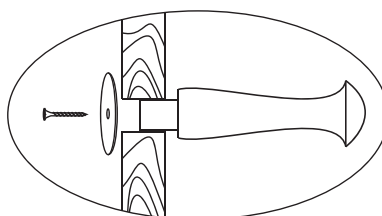
Note: Be sure that all **Shelves** are fully inserted into the slots before tightening any of the **Bolts**.

Place the **Bottom trim panels** onto the bottom of the assembled **Center panel**, making sure that the holes face inward, under the wardrobe. Insert a **Barrel nut** into each of the bottom holes on the **Bottom trim panels**, and fasten with **Bolt** in the same fashion as Step 1.

Place the **Peg panel** onto the other side and fasten with **Barrel nuts** and **Bolts**.



- Once all components are attached, tighten all bolts firmly.
- Gently insert the three **Pegs** into the holes of the **Peg panel** facing outward. Using a **Phillips head screwdriver**, insert a **#8 x 5/8" Screw** through a **Washer** and fasten into the back of the **Peg Panel** and **Peg** with **Phillips head screwdriver**.



- Remove the protective film from the mirror.

The painted surfaces can be cleaned with a soft, clean cloth and a non-abrasive cleaner. Do not use cleaners that contain ammonia, such as window cleaner. The mirror surface can scratch if anything other than a soft cloth is used. Paper towels, for example, can scratch the acrylic mirror surface.