



WARNING

- **STRANGULATION HAZARD**—Never attach or hang items to any part of the bunk bed that are not designed for use with the bed; for example, but not limited to, hooks, belts and jump ropes.
- Do not suspend strings over a bed for any reason.
- Always use guardrails on both long sides of the upper bunk. If the bunk bed will be placed next to the wall, the guardrail that runs the full length of the bed should be placed against the wall to prevent entrapment between the bed and wall.
- Do not allow children under 6 years of age to use the upper bunk.
- Always use the ladder for entering and leaving the upper bunk.
- Use of a night light may provide added safety precaution for a child using the upper bunk.
- Do not allow horseplay on or under the bed and prohibit jumping on the bed.
- Always use the recommended size mattress or mattress support, or both, to help prevent the likelihood of entrapment or falls.
- The intended mattress dimension on the bed are as follows:
 - Twin: 37-1/2"-38-1/2"W x 74"-75"L x 9"thickness (maximum)
 - Full: 53"-54"W x 74"-75"L x 9"thickness (maximum)Surface of mattress must be at least 5 in. (127 mm) below the upper edge of guardrails.
- The use of water or sleep flotation mattresses is prohibited.
- Do not use substitute parts. Contact The Land of Nod® for replacement parts, hardware or additional guardrails.
- Follow the information on the warnings appearing on the upper bunk end structure and on the carton. Do not remove warning label from bed.
- Periodically check and ensure that the guardrail, ladder, and other components are in their proper position, free from damage, and that all connectors are tight.
- Keep these instructions for future reference.

CLEANING AND CARE:

Clean surfaces with a dry or damp soft cloth. Do not use abrasive cleaners. Periodically check and tighten hardware as necessary.

ENGLISH

This page lists the contents included in the box. Please take time to identify the hardware as well as the individual components of the product. As you unpack and prepare for assembly, place the contents on a carpeted or padded area to protect them from damage. Please follow the assembly instructions closely.

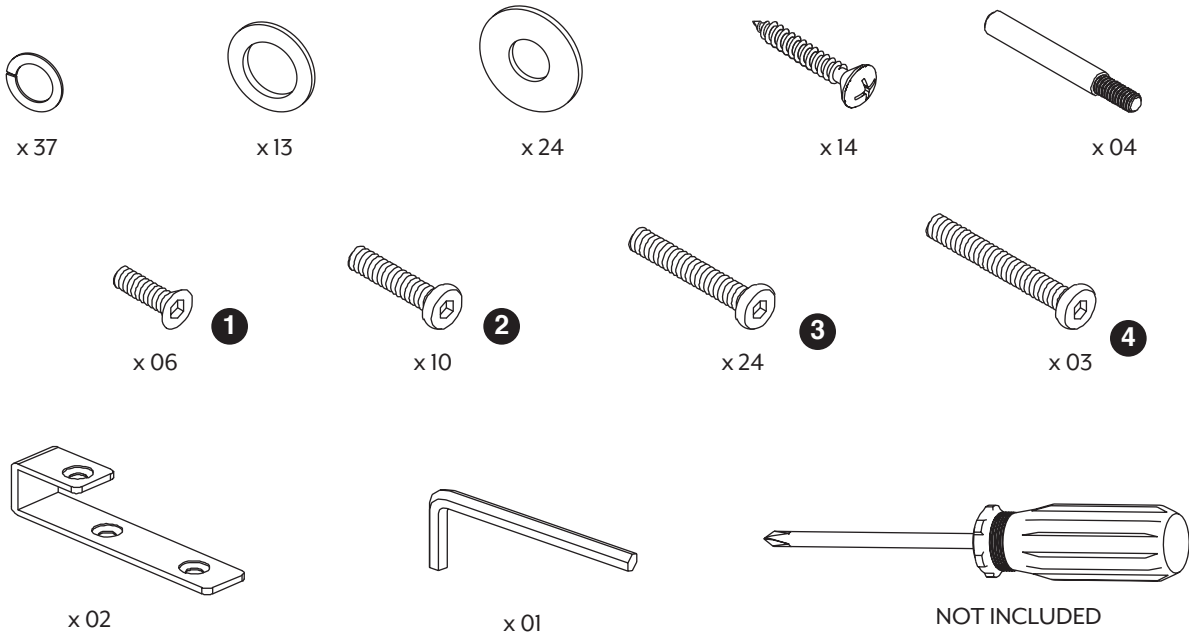
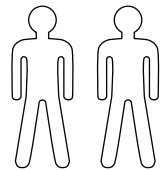
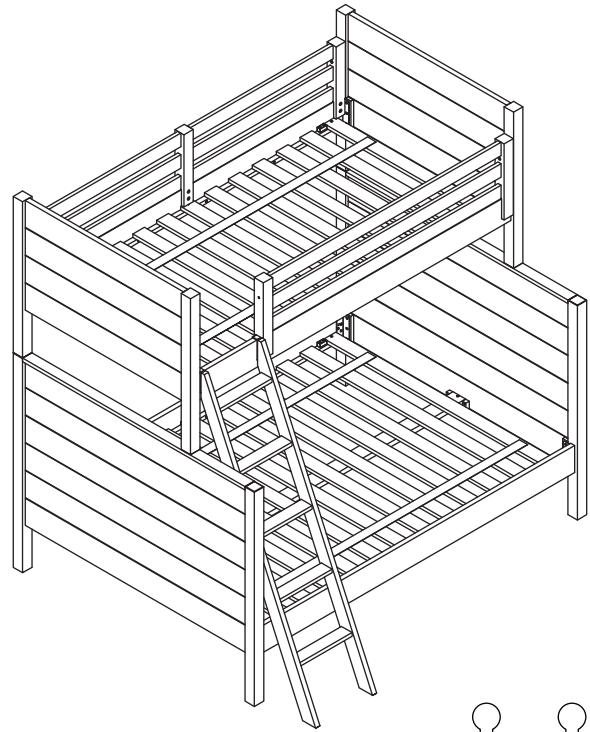
Improper assembly can result in personal or property damage.

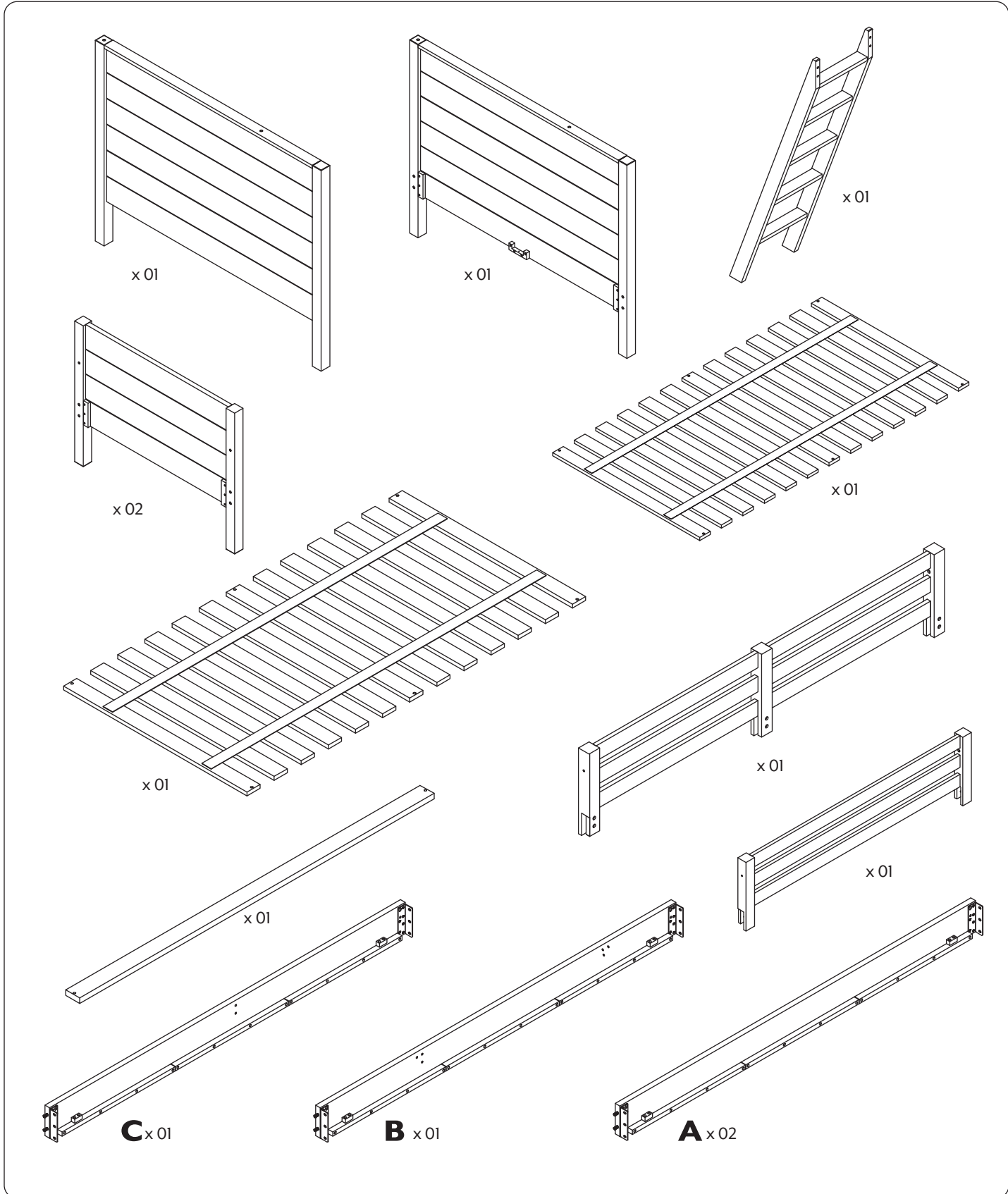
Note: 2 adults are required to safely assemble this product.

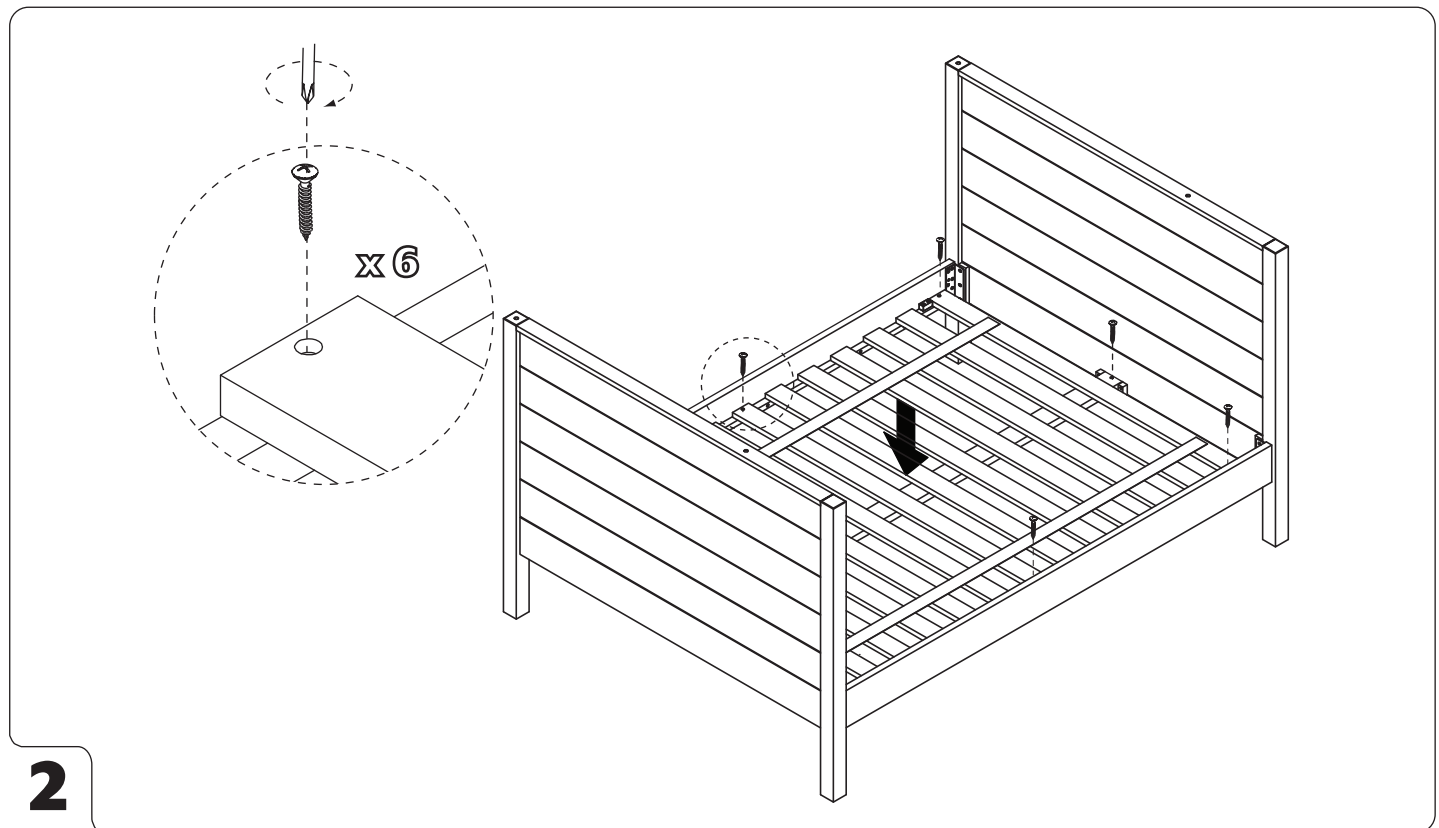
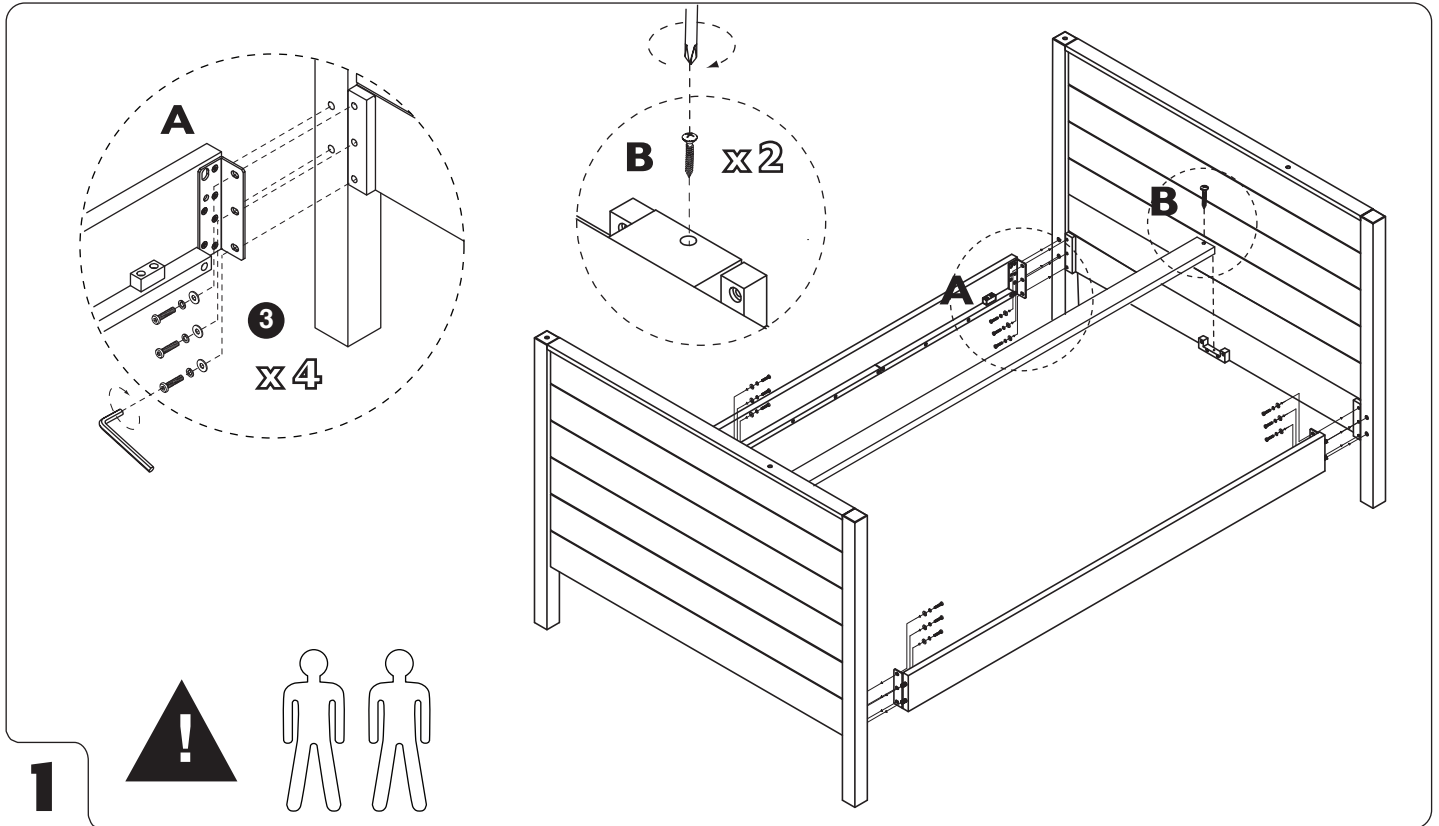
FRANÇAIS

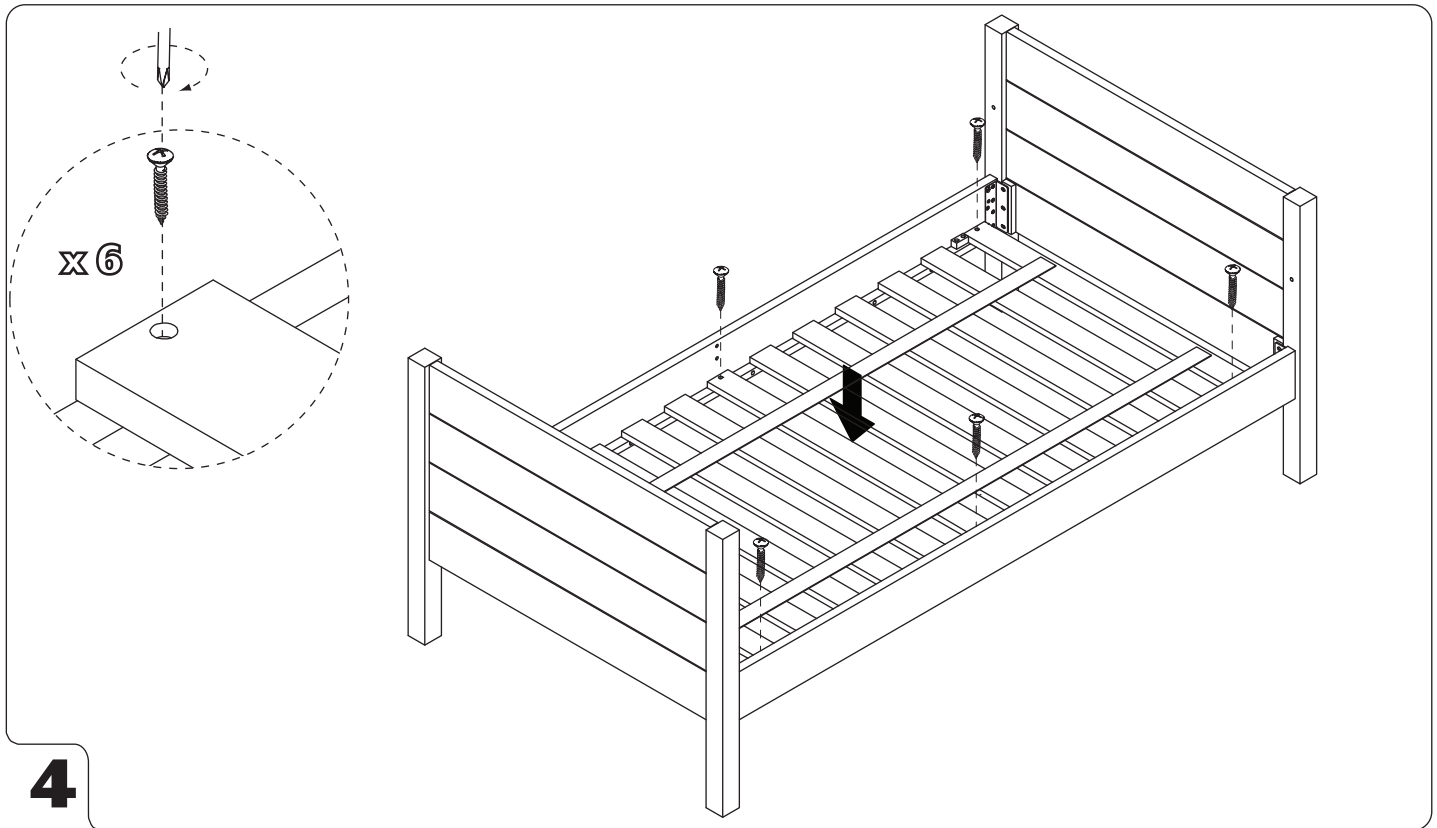
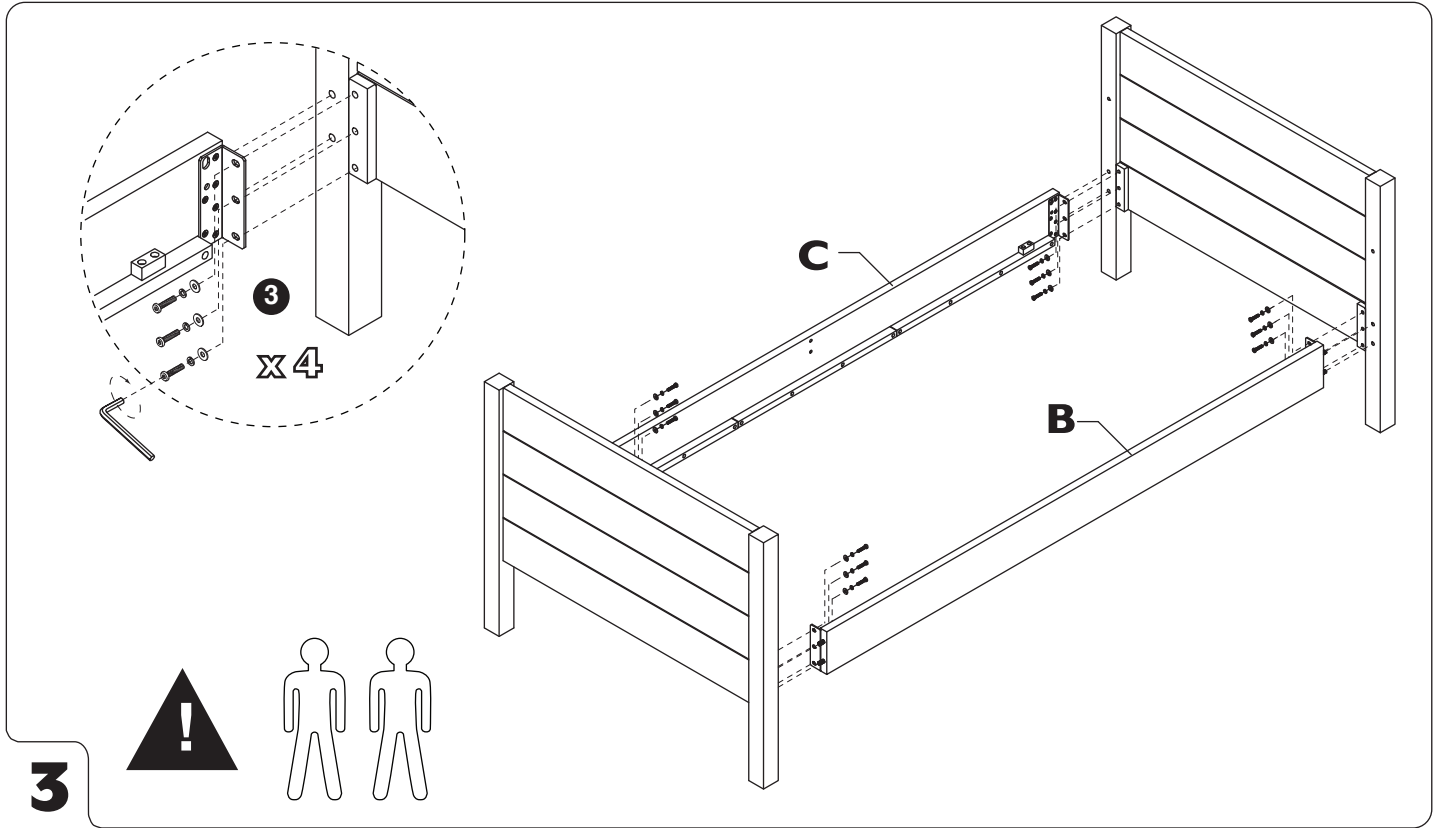
Cette feuille présente la liste du matériel contenu dans le carton. Veuillez prendre un moment pour identifier chaque pièce de quincaillerie et chacune des composantes. Afin de protéger les composantes du meuble, les poser sur un tapis ou sur une surface matelassée au fur et à mesure du déballage et de la préparation au montage. Veuillez suivre avec attention les étapes du montage présentées. Si le meuble n'est pas monté correctement, il y a risque de dégâts pour vous ou vos biens.

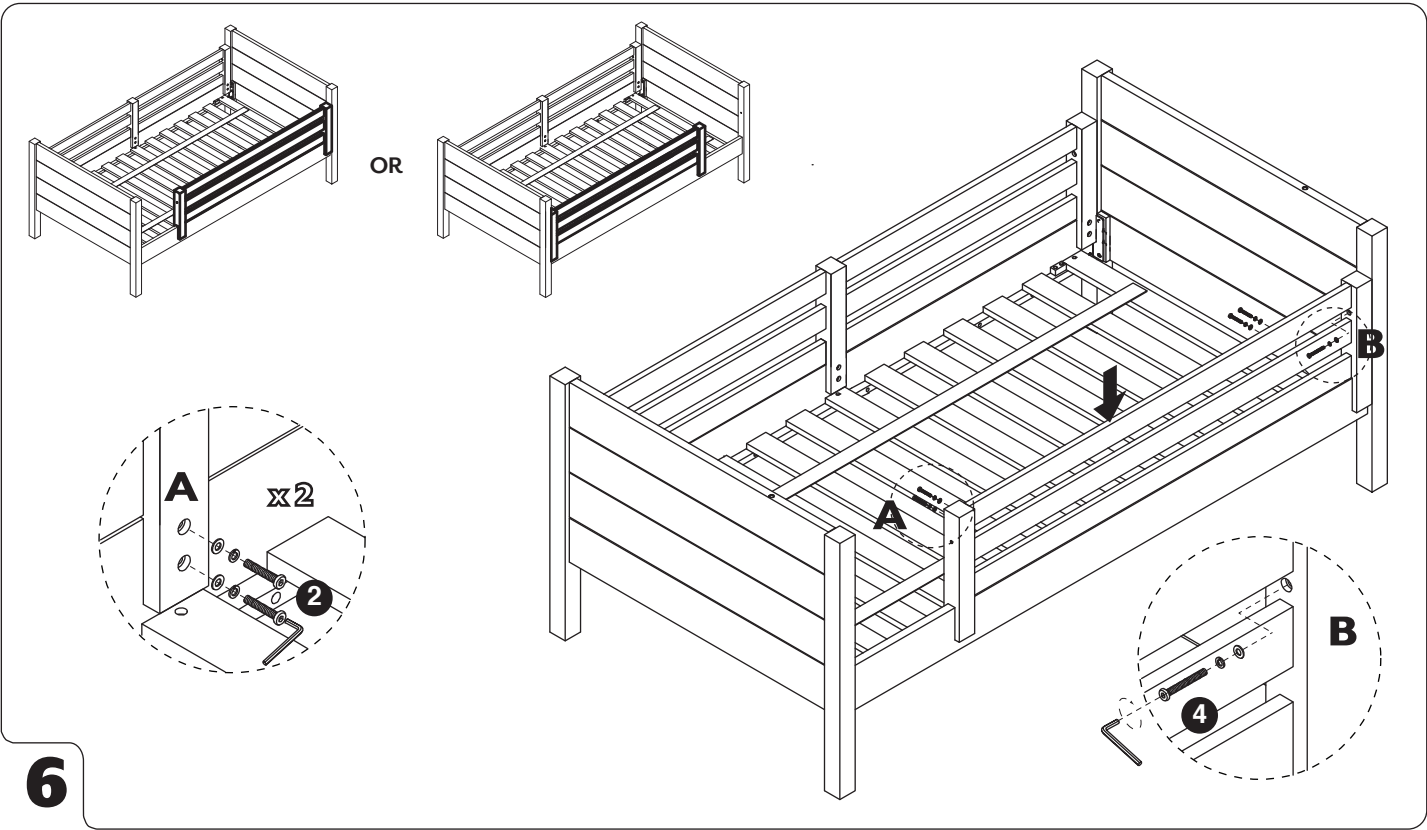
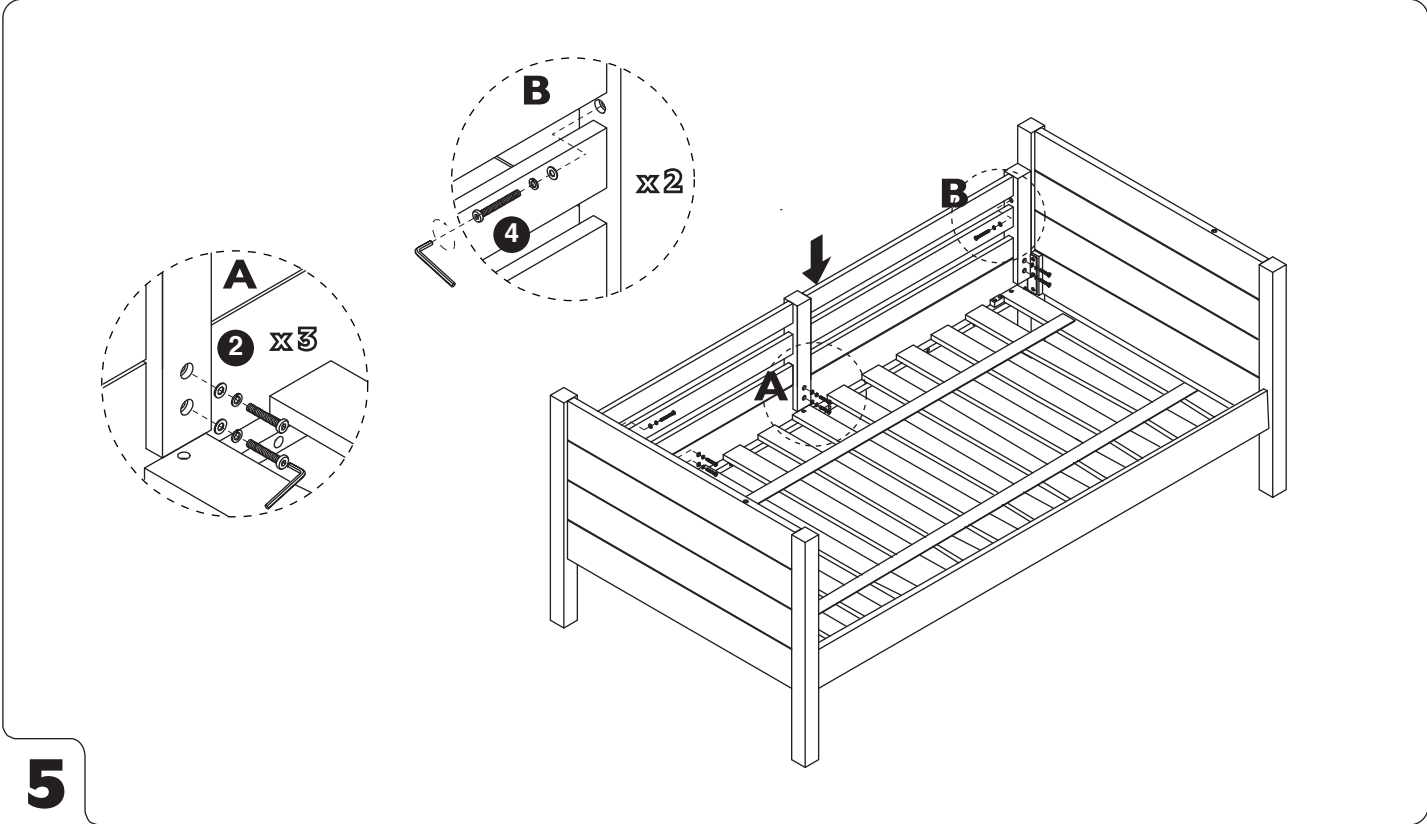
Attn: Il faut 2 adultes pour monter correctement ce meuble.

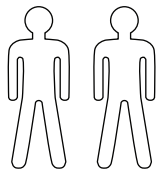
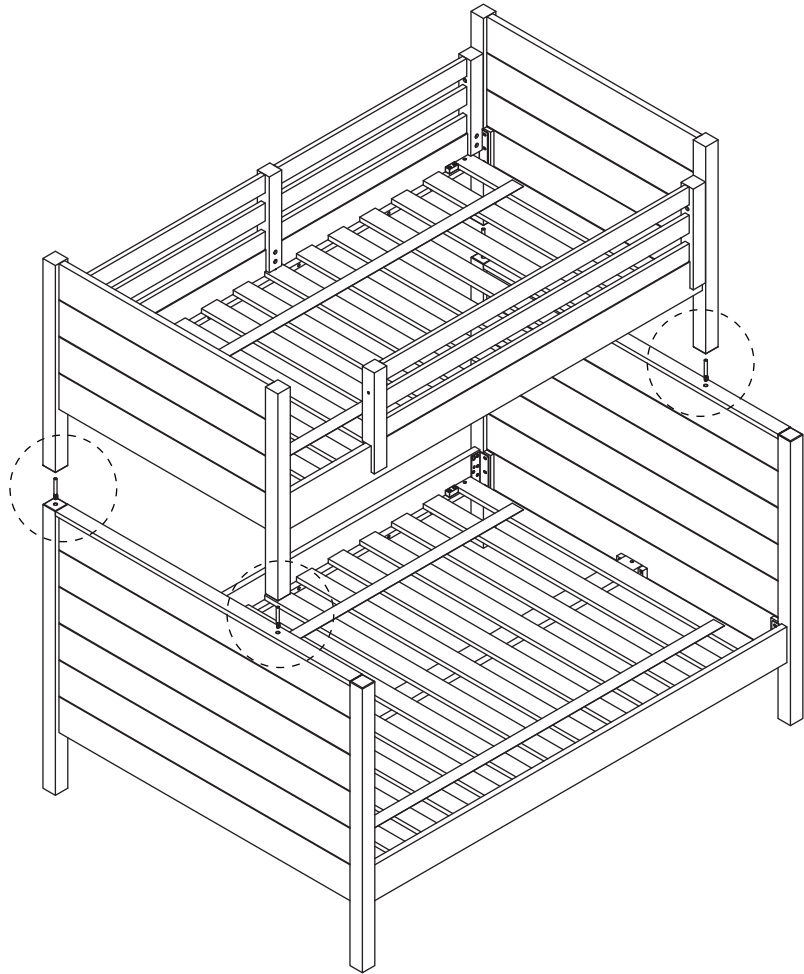
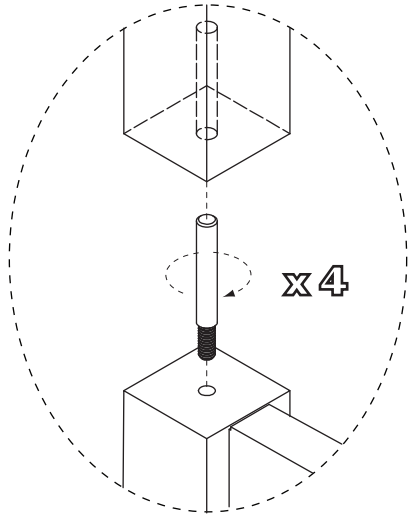




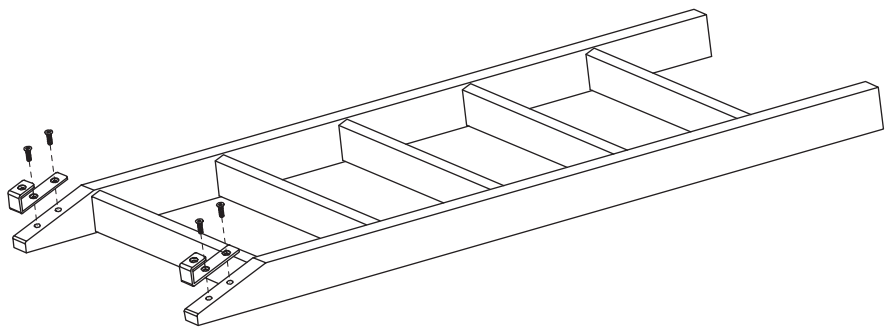
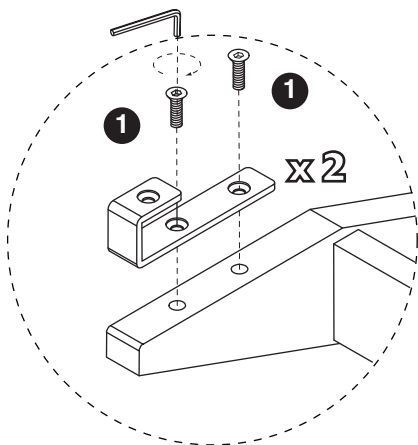




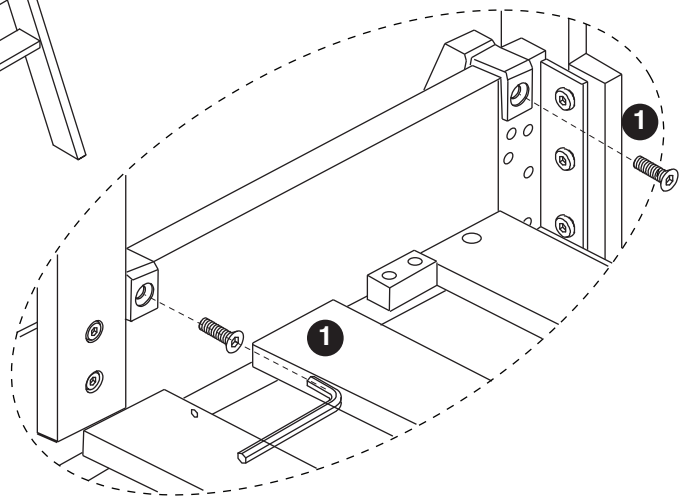
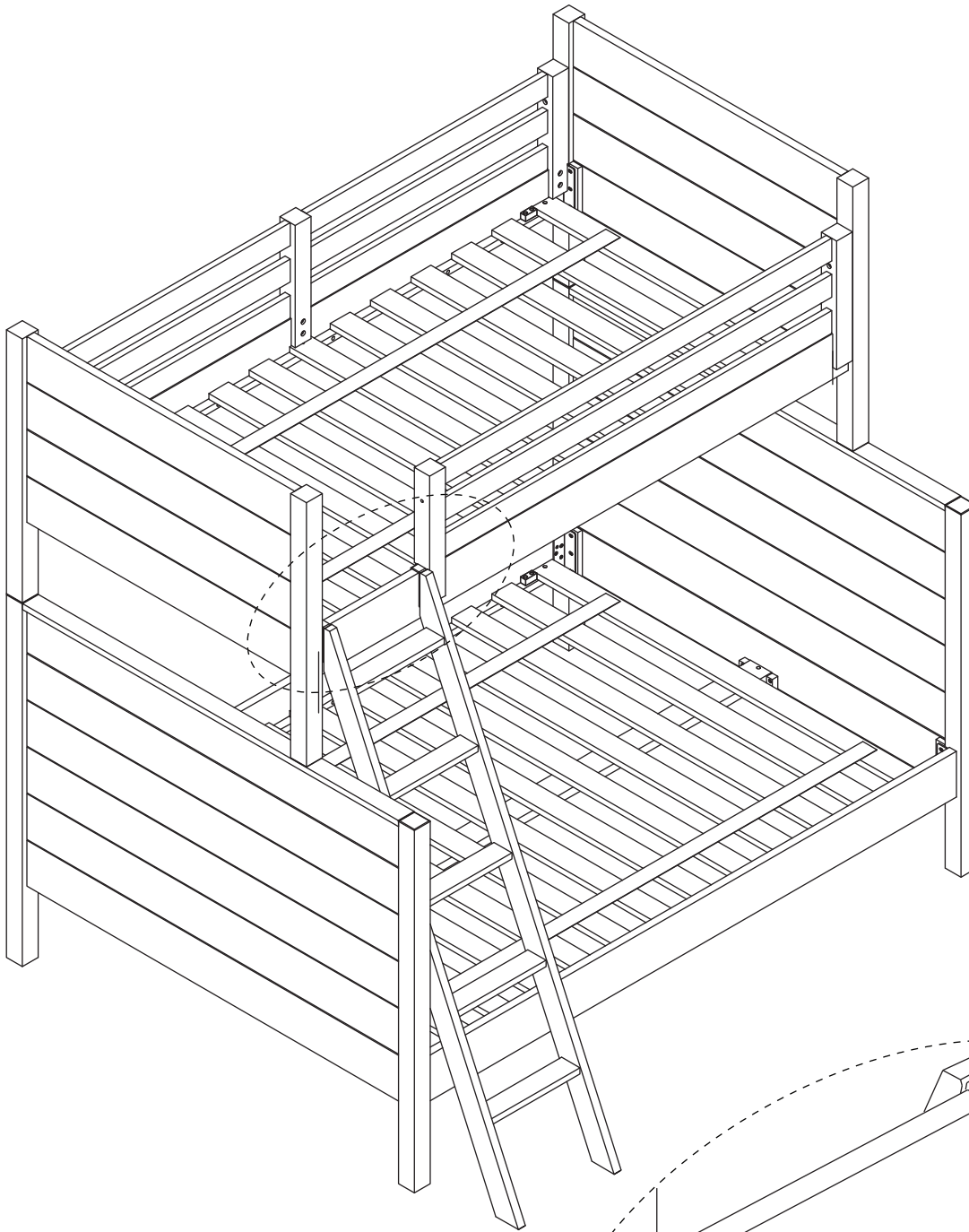




7



8



9