



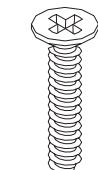
WARNING

- Do not place bed near windows where cords from blinds or drapes may strangle a child.
- Do not place items with a string, cord, or ribbon around a child's neck, such as hood strings or pacifier cords
- Do not suspend strings over a toddler bed for any reason
- The minimum age shall be no less than 15 months
- The intended mattress dimension on the bed is 53"-54"W x 74"-75"L

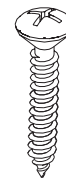


Thank you for purchasing the **Walden Full Bed**. This page lists all the contents included in the box. Please take the time to identify the hardware as well as the individual components to this product. As you unpack and prepare for assembly, place the contents on a carpeted or padded area to protect them from damage. Note: 2 people are required to safely assemble this product.

HARDWARE



12 - bolts



6 - large screws



2 - small screws



12 - spring washers



12 - flat washers

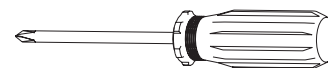
Missing hardware? Please call **800.933.9904** for replacements.
NOTE: Contains small parts. Keep away from small children.



WARNING: Adult Assembly Required

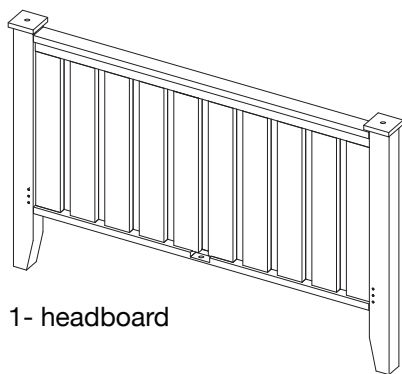
TOOLS REQUIRED

Phillips head screwdriver

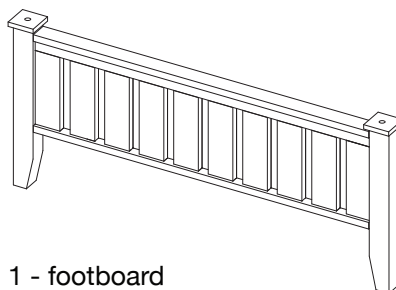


(We recommend the use of hand tools instead of power tools)

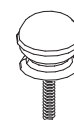
COMPONENTS



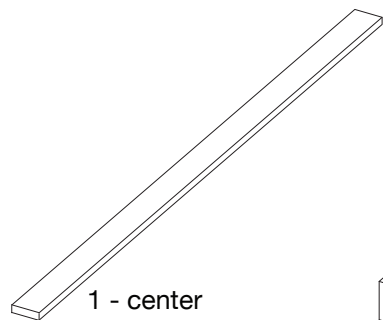
1 - headboard



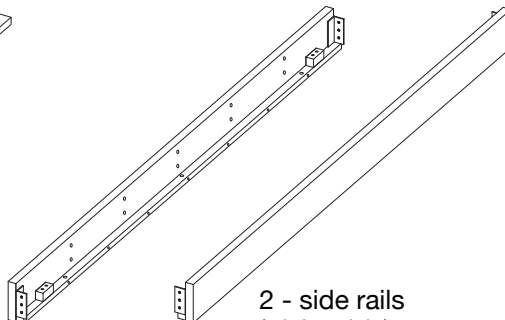
1 - footboard



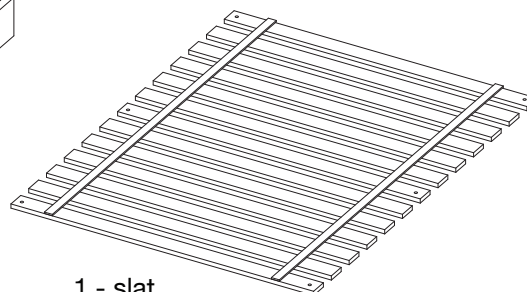
4 - finials



1 - center rail



2 - side rails
(1 left, 1 right)



1 - slat assembly

1

NOTE: Do not over tighten the bolts

With the assistance of another adult, attach each bracket of **left and right side rails** to headboard and footboard with **3 bolts**, **3 spring washers** and **3 flat washers**. Secure, but do not over tighten, bolts with a **phillips head screwdriver**.

2

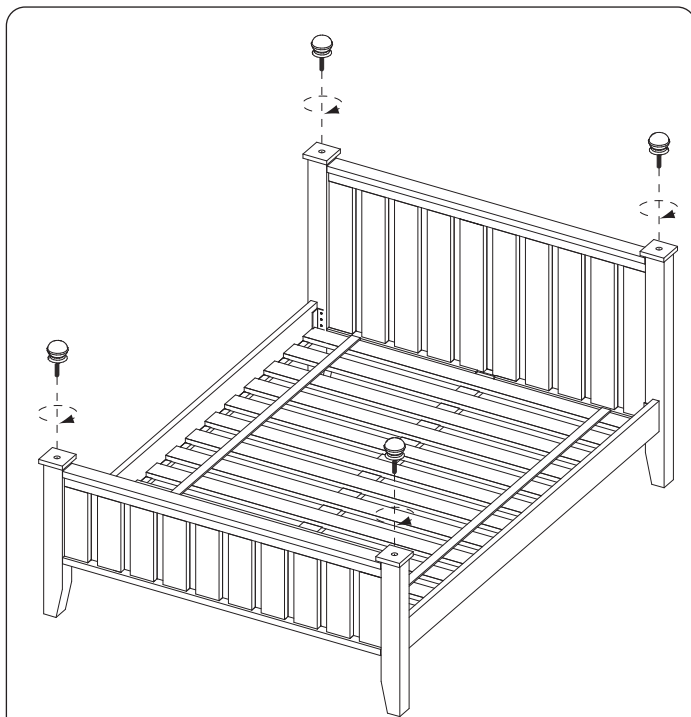
NOTE: Do not over tighten the screws

Fit **center support** into corresponding notches of headboard and footboard as shown. From underneath, attach with **2 small screws**. Secure, but do not over tighten, screws with a screwdriver.

3

NOTE: Make sure wood blocks on side rails fit between first and last slats as shown.

Attach slat assembly onto side rails of bed assembly as shown with **6 large screws**. Make sure straps of slat assembly are facing up as shown. Secure, but do not over tighten, screws with a screwdriver.



4

Attach 4 **finials** to bed assembly as shown. Turn each finial clockwise to secure. Assembly is now complete.

CLEANING AND CARE

Clean surfaces with a dry or damp soft cloth. Do not use abrasive cleaners. Do not use furniture wax or polish as the unit is finished with a protective clear lacquer.