



WARNING: Failure to follow these warnings and instructions could result in serious injury or death

Follow the information and warnings on bunk end structure and carton. Do not remove these labels.

Always use the recommended size mattress to help prevent the likelihood of entrapment or falls.

- Surface of mattress must be at least 5" (127 mm) below the upper edge of guardrails. The maximum thickness of the bunk mattress is 10
- Use only mattress which is 74" – 75" long and 37 1/2" – 38 1/2" wide
- Never allow a child under 6 years on the upper bunk.
- Prohibit more than one person on upper bunk.
- Periodically check to ensure guardrail, ladder and other components are in their proper position, free from damage, and that all connectors are tight.
- Do not allow horseplay on or under the bed and Prohibit jumping on the bed.
- Always use the ladder for entering and leaving the upper bunk.
- Do not use substitute parts. Contact the Land of Nod for replacement parts at 800.933.9904
- Use of a night light may provide added safety precaution for a child using the upper bunk.
- Always use the guardrails on both sides of the upper bunk. If the bunk bed will be placed next to the wall, the guardrail that runs the full length of the bed should be placed against the wall to prevent entrapment between bed and wall.
- The use of water or sleep flotation mattresses is prohibited.

STRANGULATION HAZARD!

- Never attach or hang items to any part of the bunk that are not designed for use with the bed; for example, but not limited to, hooks, belts and jump ropes.
- Keep these instructions for future reference.



Thank you for purchasing the **Walden Twin-Over-Twin Bunk Bed**. This page lists all the contents included in the box. Please take the time to identify the hardware as well as the individual components to this product. As you unpack and prepare for assembly, place the contents on a carpeted or padded area to protect them from damage.

Note: 2 people are required to safely assemble this product.

HARDWARE



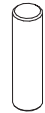
36 - phillips bolts



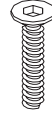
12 - large screws



2 - small screws



4 - metal dowels



3 - allen bolts



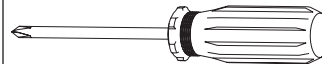
39- spring washers



39- flat washers

Missing hardware? Please call **800.933.9904** for replacements.
NOTE: Contains small parts. Keep away from small children.

TOOLS REQUIRED



Phillips head screwdriver



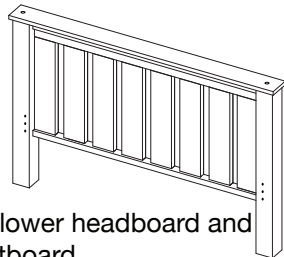
allen wrench (included)

(We recommend the use of hand tools instead of power tools)

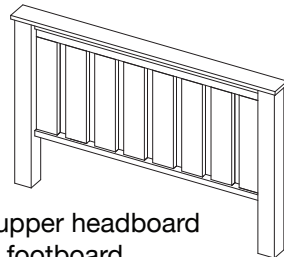


WARNING: Adult Assembly Required

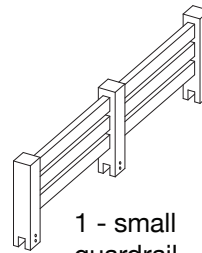
COMPONENTS



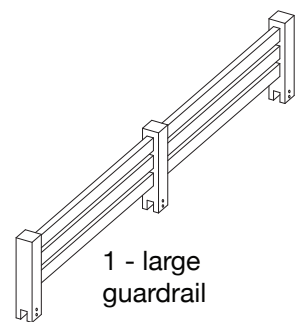
2 - lower headboard and footboard



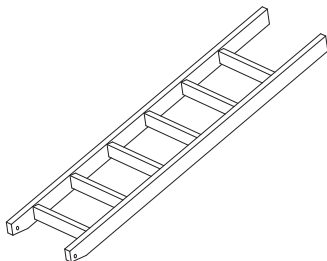
2 - upper headboard and footboard



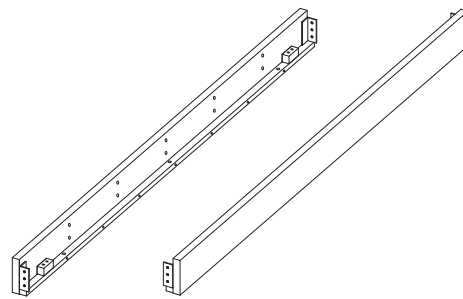
1 - small guardrail



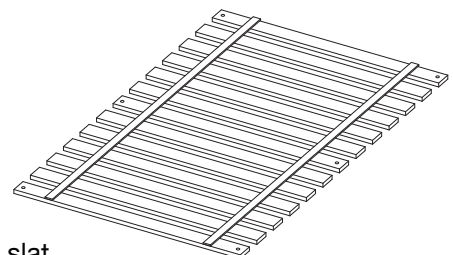
1 - large guardrail



1 - ladder



4 - side rails
(2 left, 2 right)



2 - slat assemblies

CLEANING AND CARE

Clean surfaces with a dry or damp soft cloth. Do not use abrasive cleaners. Do not use furniture wax or polish as the unit is finished with a protective clear lacquer.

LOWER TWIN BED ASSEMBLY

X 4

NOTE: Do not over tighten the bolts

With the assistance of another adult, attach each bracket of **left and right side rails** to **lower headboard and footboard** with 3 **phillips bolts**, 3 **spring washers** and 3 **flat washers**. Secure, but do not over tighten, bolts with a **phillips head screwdriver**.

1

NOTE: Make sure wood blocks on side rails fit between first and last slats as shown.

X 4

NOTE: Do not over tighten the screws

Attach **slat assembly** onto side rails of bed assembly with 6 **large screws**. Make sure straps of slat assembly are facing up as shown. Secure, but do not over tighten, screws with a screwdriver. Lower twin bed assembly is now complete.

2

UPPER TWIN BED ASSEMBLY

X 4

NOTE: Do not over tighten the bolts

With the assistance of another adult, attach each bracket of **left and right side rails** to **upper headboard and footboard** with 3 **phillips bolts**, 3 **spring washers** and 3 **flat washers**.

3

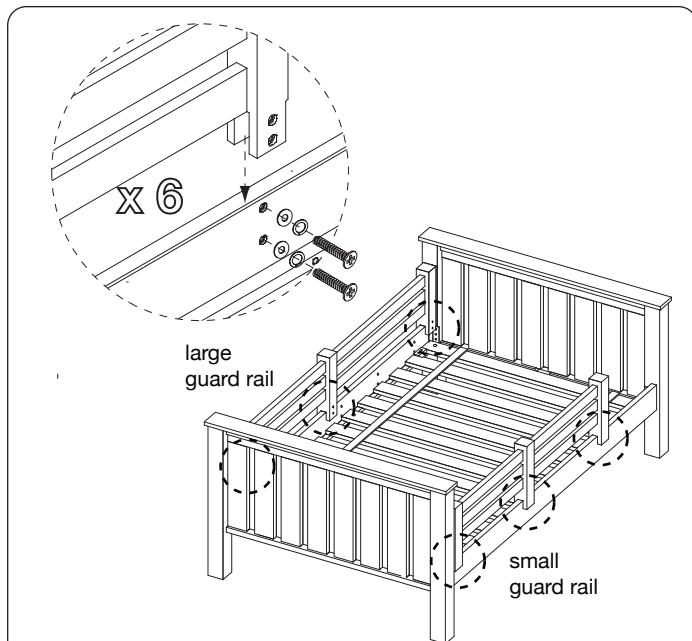
NOTE: Make sure wood blocks on side rails fit between first and last slats as shown.

X 4

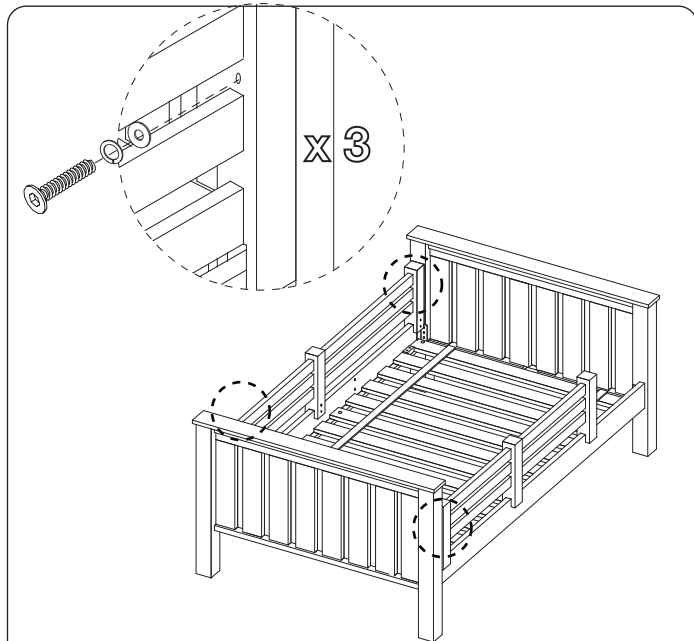
NOTE: Do not over tighten the screws

Attach **slat assembly** onto side rails of bed assembly with 6 **large screws**. Make sure straps of slat assembly are facing up as shown.

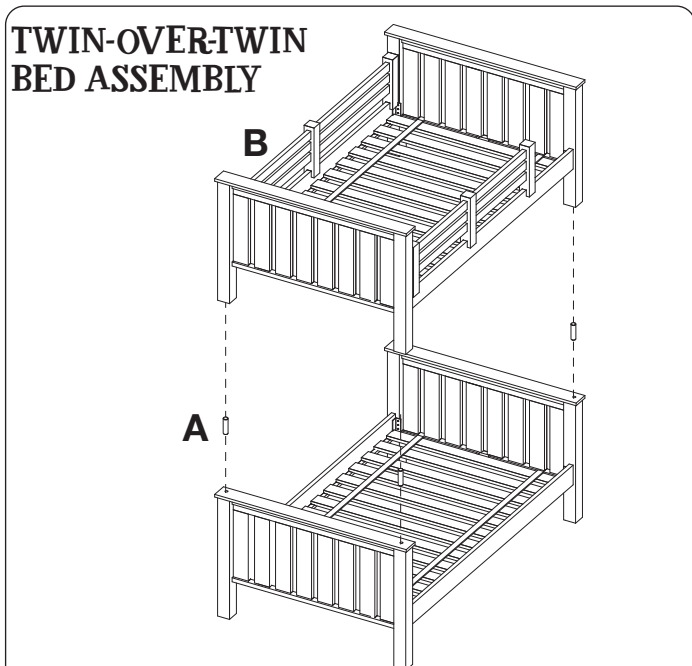
4



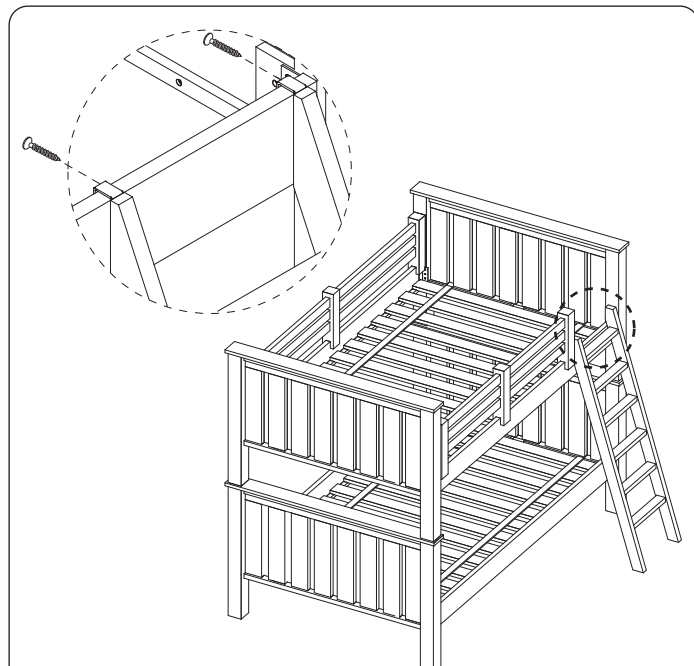
5 Determine desired orientation of bunk beds. Attach **small and large guard rails** to *upper bed assembly* with 12 **phillips bolts**, 12 **spring washers**, 12 **flat washers** as shown, using a screwdriver.



6 Secure **small and large guard rails** to *upper headboard and footboard* with 3 **allen bolts**, 3 **spring washers** and 3 **flat washers**, using an **allen wrench**.
Upper twin bed assembly is now complete.



7 A. Insert 4 **metal dowels** into *bottom bed assembly* as shown.
B. With assistance of another adult, fit holes of *upper bed assembly* onto corresponding dowels of *lower bed assembly* as shown.



8 Fit hooks of **ladder** over *upper bed assembly* as shown. Make sure holes of ladder are aligned with corresponding holes of bed. At this point, secure ladder with 2 **small screws**, using a screwdriver. Assembly is now complete.