

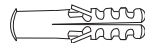
# ! WARNING

**Serious or fatal crushing injuries can occur from furniture tip over. Use of tip-over restraints may only reduce, but not eliminate, the risk of tip-over. To help prevent tip-over, install tip restraint per instructions below.**

## MOUNTING HARDWARE



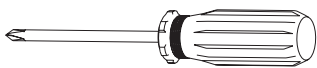
4 - screws



4 - plastic anchors

Missing hardware? Please call 800.933.9904 for replacements.  
NOTE: Contains small parts. Keep away from small children.

## TOOLS REQUIRED



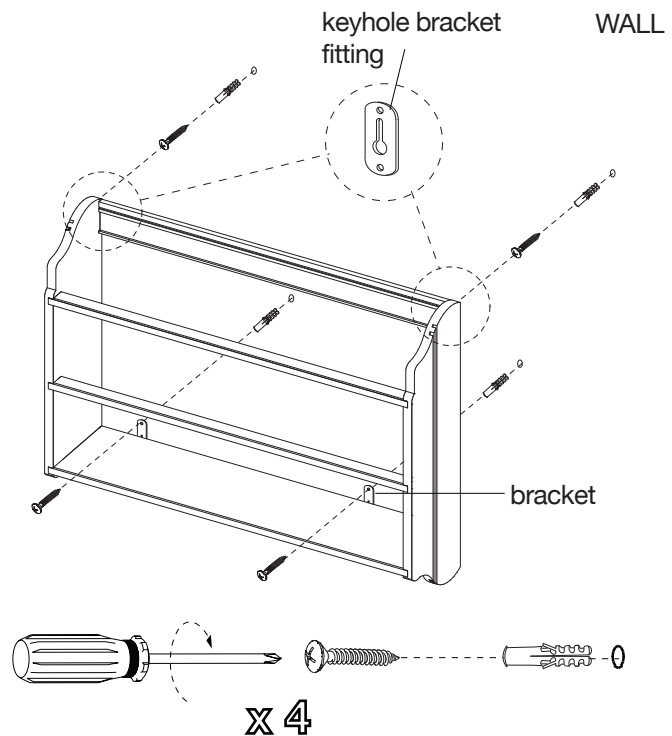
phillips head screwdriver



power drill  
(for pilot holes only)

## CLEANING AND CARE

Clean surfaces with a dry or damp soft cloth.  
Do not use abrasive cleaners.



## WALL MOUNTING INSTRUCTIONS

Note: The wall mounting hardware included with this unit is intended for **drywall installation only**. Be sure to use hardware appropriate for your wall type. Whenever possible, attach mounting hardware into a wall stud. If you are unsure about your wall type or what mounting method you should use, consult a qualified professional or your local hardware store.

- 1) Determine desired location to hang unit and mark on the wall where the 4 **plastic anchors** should be inserted.
  - 2) Drill a pilot hole for each anchor slightly smaller than the diameter of the anchor.
  - 3) Insert 4 **plastic anchors** into the 4 pilot holes until the head of each anchor is flush with the surface of the wall. Gently tap with a hammer if necessary.
  - 4) Fasten 2 **screws** with a **phillips head screwdriver** into the top 2 **plastic anchors**, leaving approximately 1/4" of the screw projecting from the face of the wall.
  - 5) With the assistance of another person, hang the unit on the screw heads. Make sure that each screw head securely engages the **keyhole bracket fittings**.
  - 6) Fasten 2 **screws** through brackets and into bottom 2 **plastic anchors** as shown.
- Wall mounting installation is now complete.