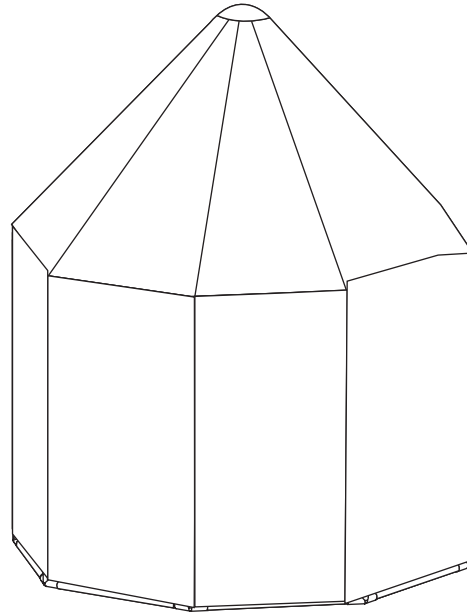
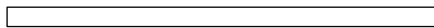


This page lists the contents included in the box. Please take time to identify the hardware as well as the individual components of the product. As you unpack and prepare for assembly, place the contents on a carpeted or padded area to protect them from damage. Please follow the assembly instructions closely. Improper assembly can result in personal or property damage.



Adult Assembly Required



16 - Small poles



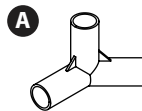
16 - Large poles



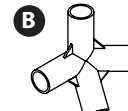
8 - Small pole covers



8 - Large pole covers



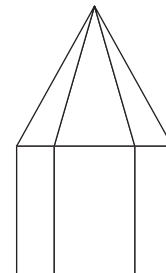
8 - Connector A



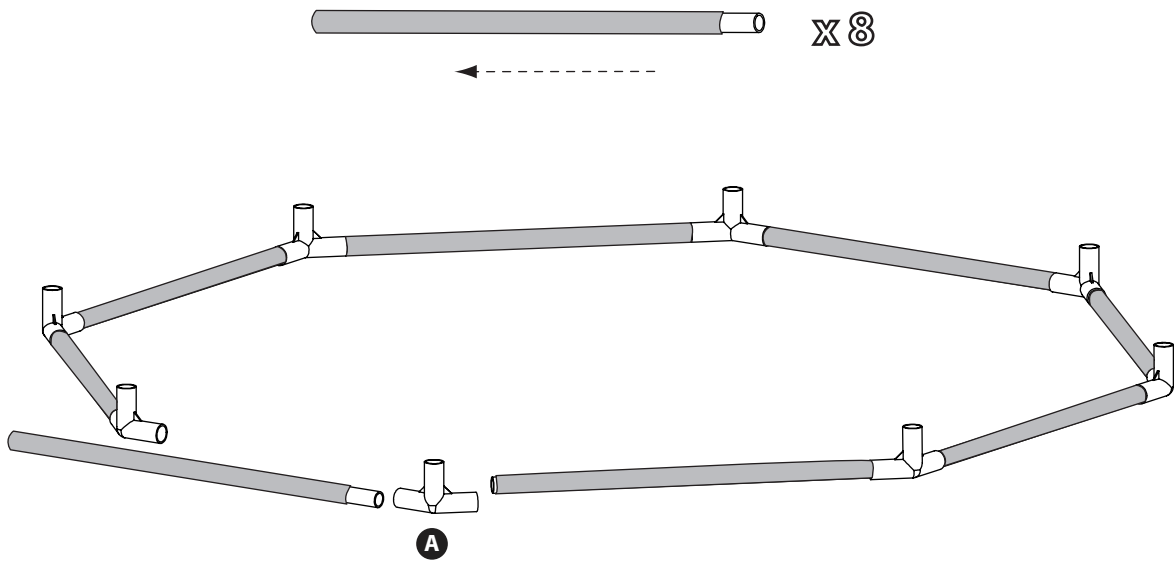
8 - Connector B



1 - Connector C

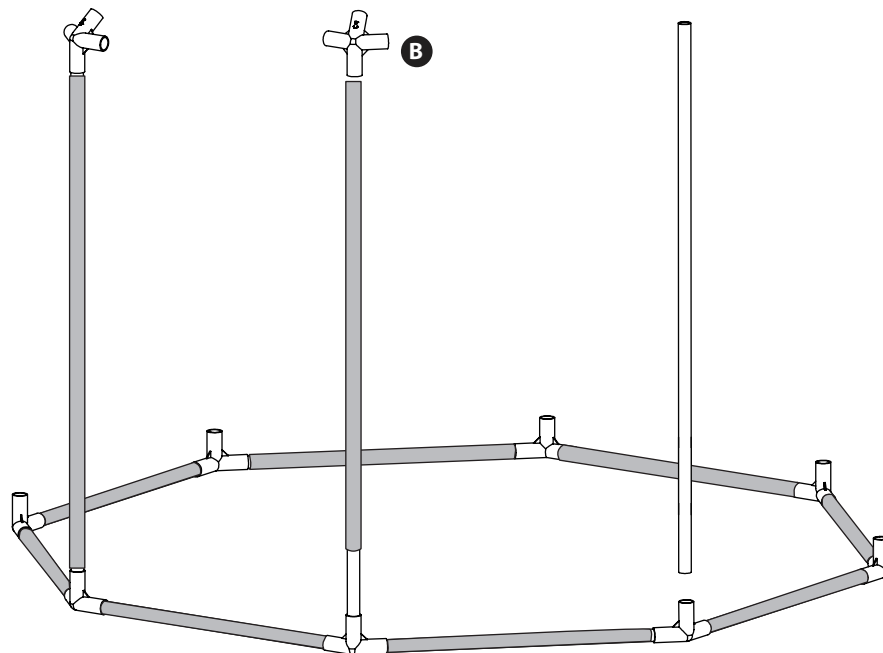


1 - Fabric cover



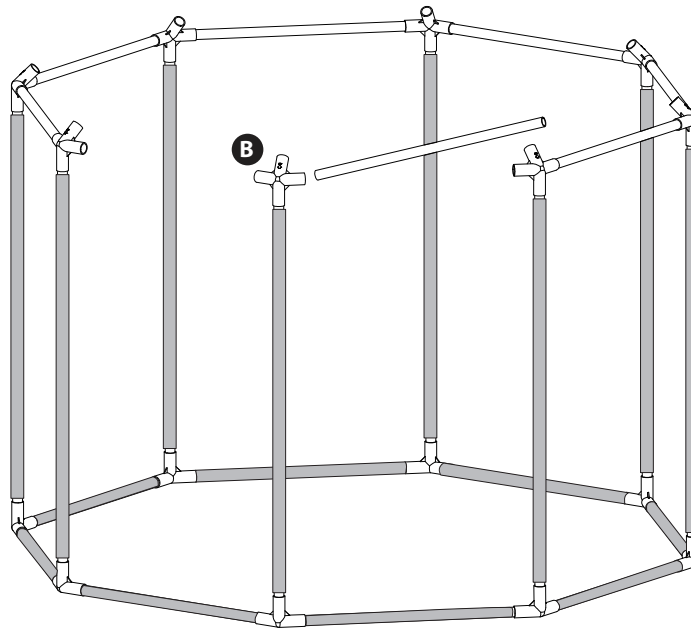
1

Fit 8 **small poles** into 8 **small pole sleeves** as shown. Assemble 8 **small pole assemblies** and 8 **connectors A** as shown.



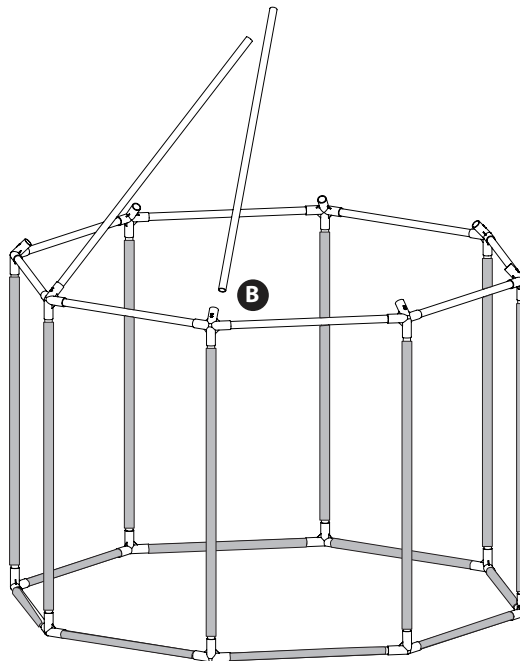
2

Assemble 8 **large poles** into corresponding **connectors A** as shown. Fit 8 **large pole sleeves** over corresponding **large poles**, and attach 1 **connector B** to end of each **large pole** as shown.



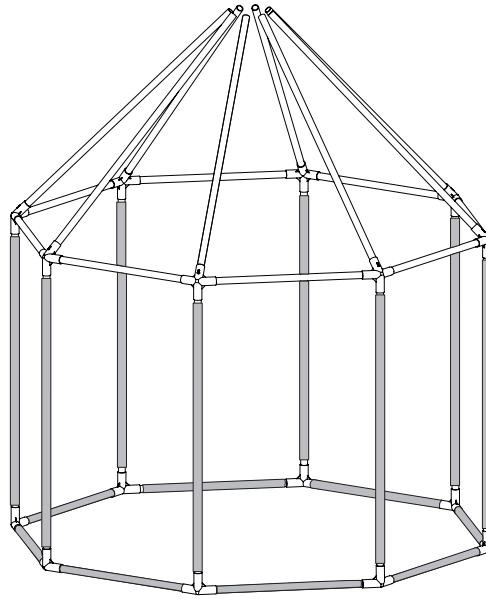
3

Fit 8 **small poles** into corresponding **connectors B** as shown. Make sure each pole is securely supported by connectors.



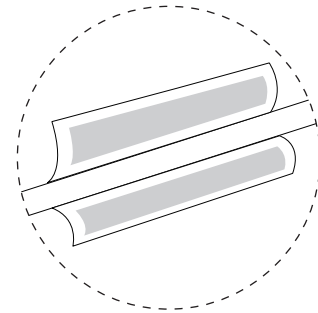
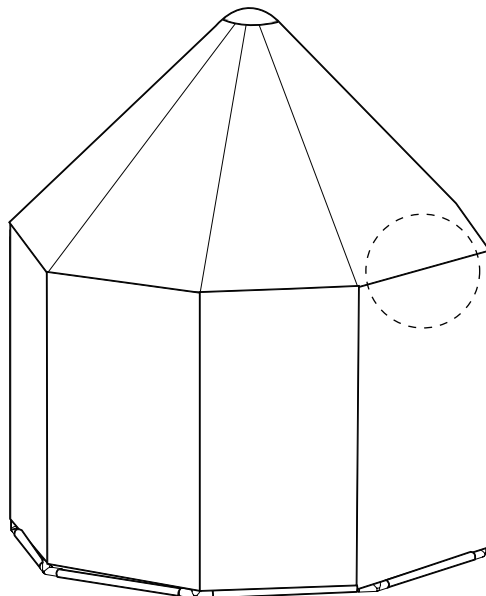
4

Fit 8 **large poles** into corresponding **connectors B** as shown. Make sure each pole is securely supported by connectors.



5

Fit **large poles** into **connector C** as shown. Make sure all poles are securely supported by connector.



6

Carefully pull **fabric cover** over pole assembly as shown, and secure **Hook and Loop closure** at the bottom. Playhouse is now complete.