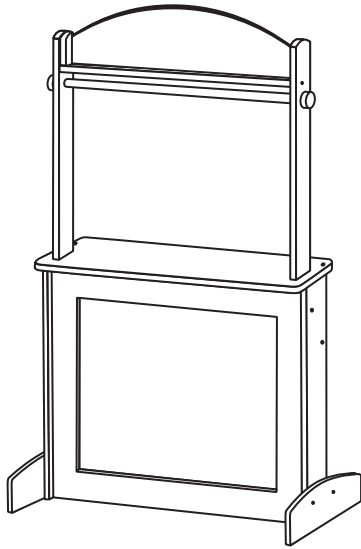


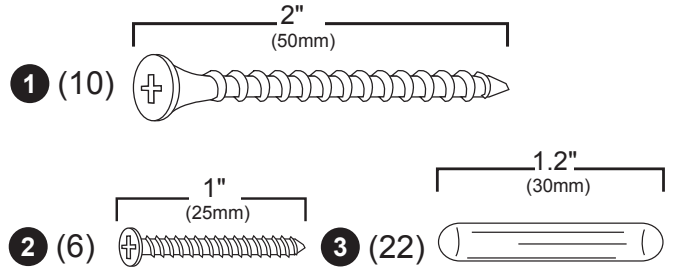
WHAT'S THAT STAND FOR? MULTI PURPOSE STAND

Adult Assembly Required

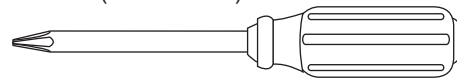


Thank you for purchasing What's That Stand For. This page lists all the contents included in the box. Please take the time to identify the hardware as well as the individual components to the product. As you unpack and prepare for assembly, place the contents on a carpeted or padded area to protect them from damage.

hardware



You will also need a Phillips-head screwdriver (not included).

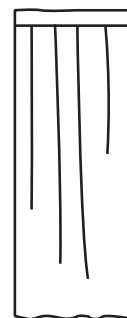
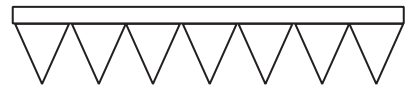
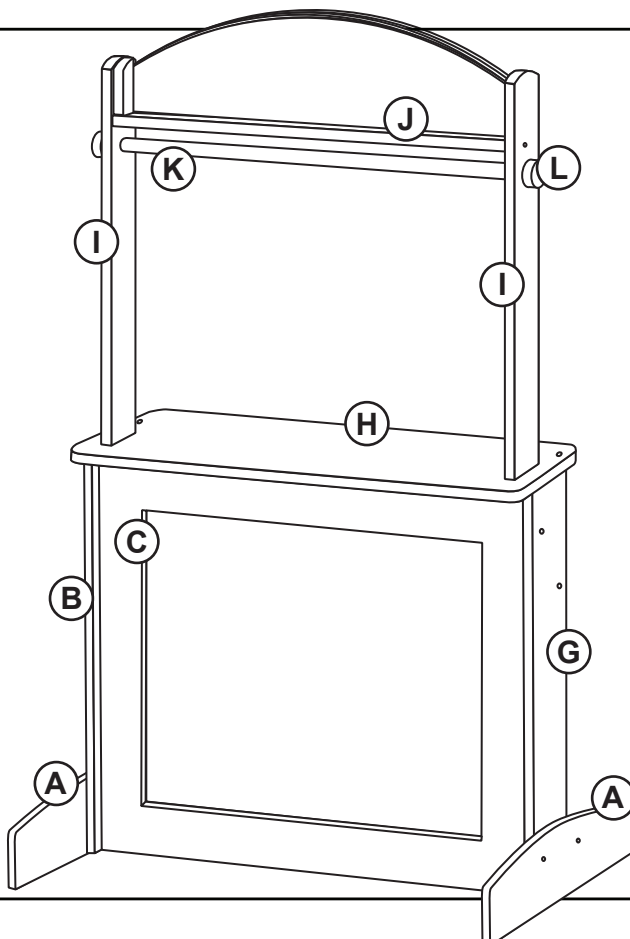


Missing hardware? Please call 800.933.9904 for replacements. To clean your item, use mild soap and water on a damp cloth. Do not use abrasives. Adult assembly required. Ages 3+

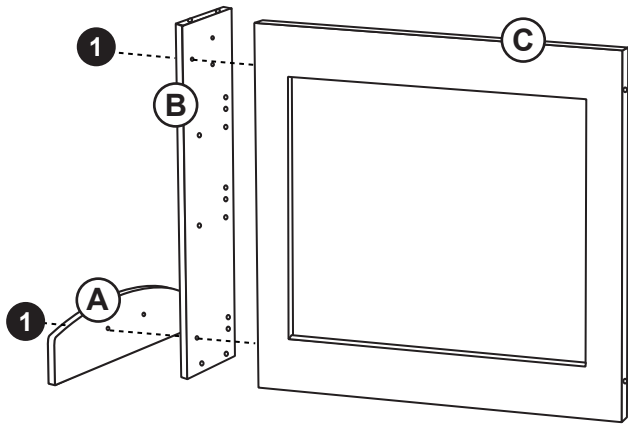
⚠ WARNING

Small parts and sharp points may be present prior to assembly.

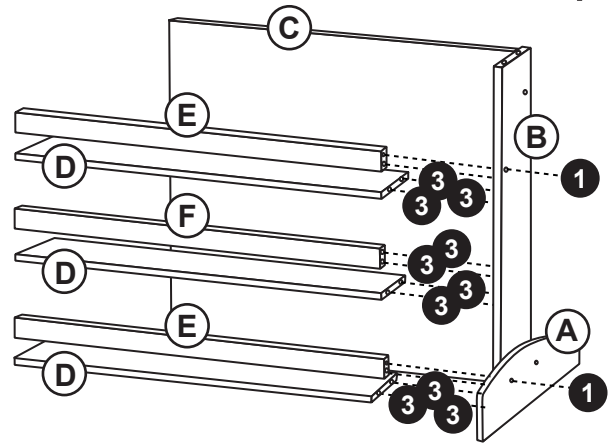
parts



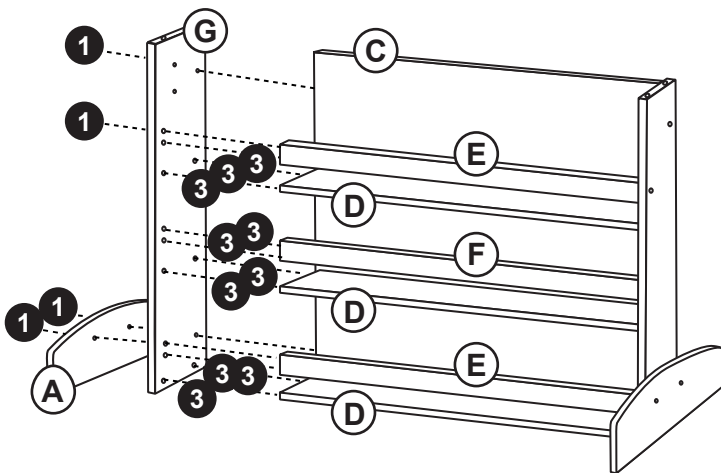
assembly



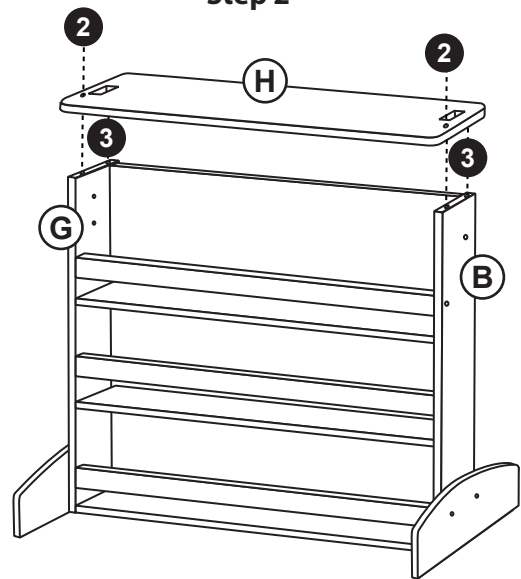
Step 1



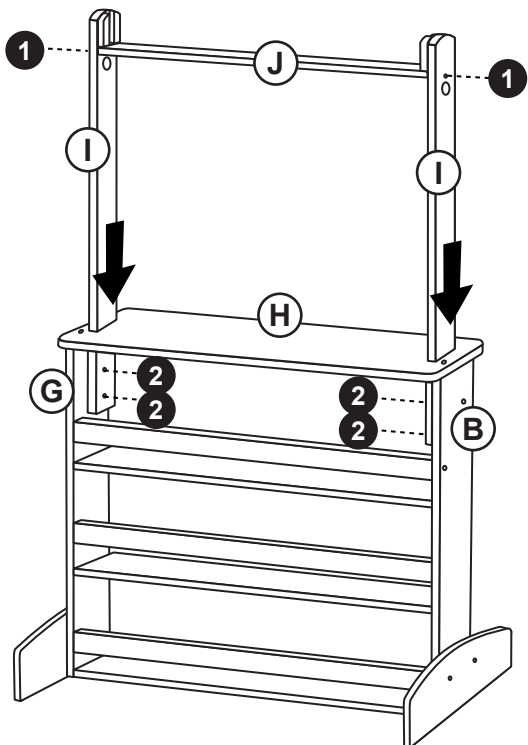
Step 2



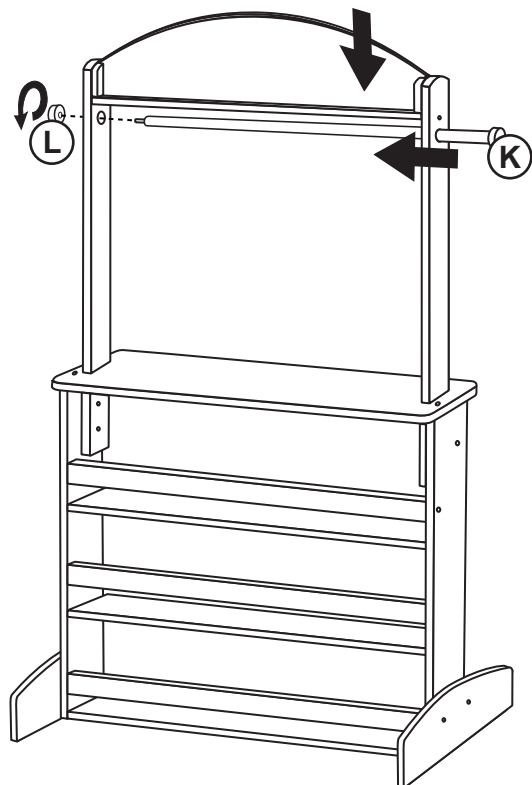
Step 3



Step 4



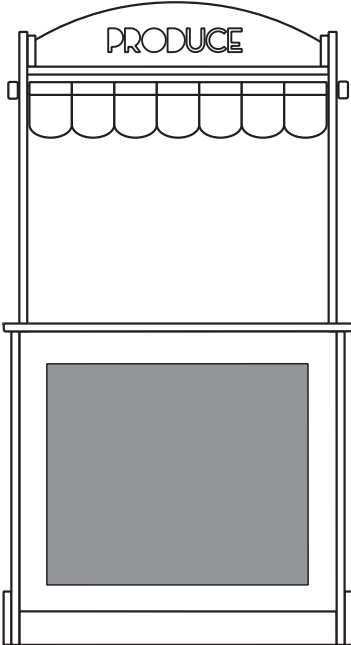
Step 5



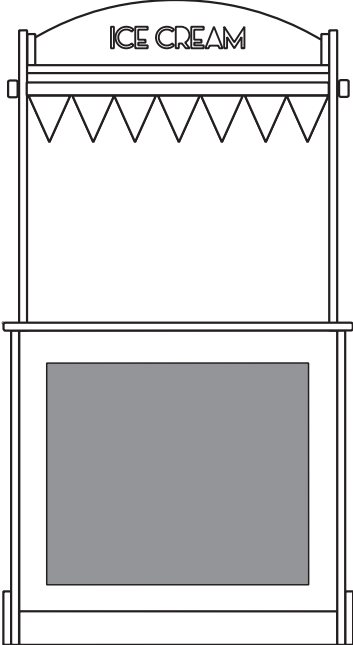
Step 6

themes

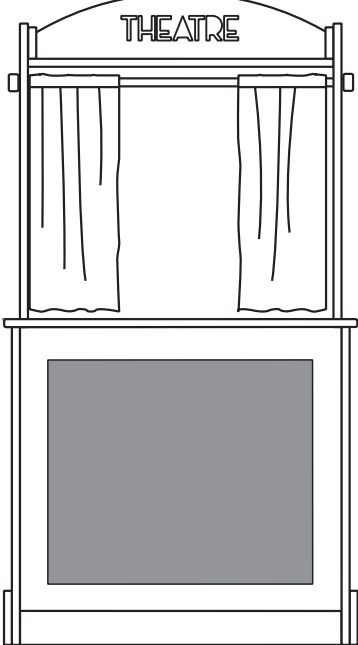
What's That Stand For? features a chalkboard on the front panel, shown in gray below.
ADULT ASSEMBLY IS NEEDED WHEN CHANGING THEMES ON WHAT'S THAT STAND FOR?



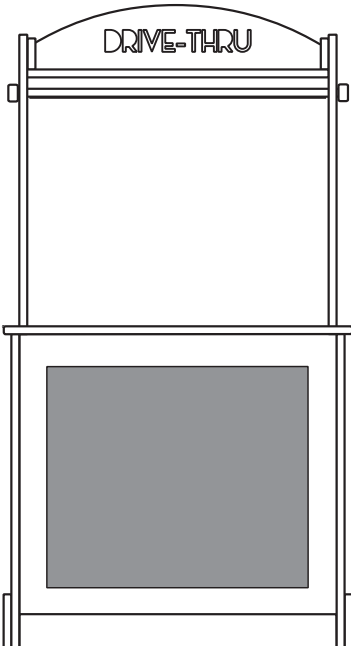
produce



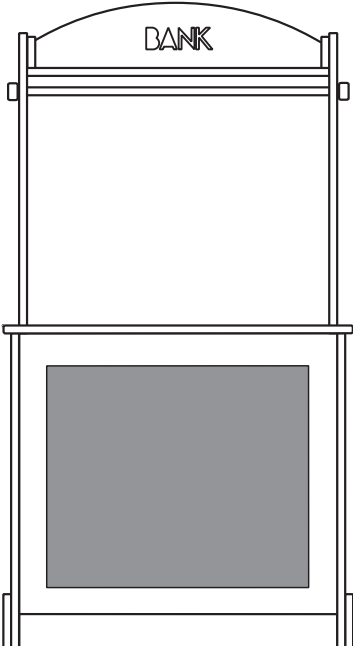
ice cream



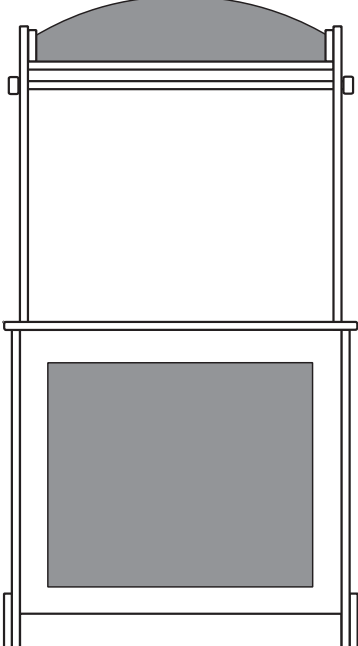
theatre



drive-thru



bank



chalkboard