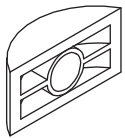
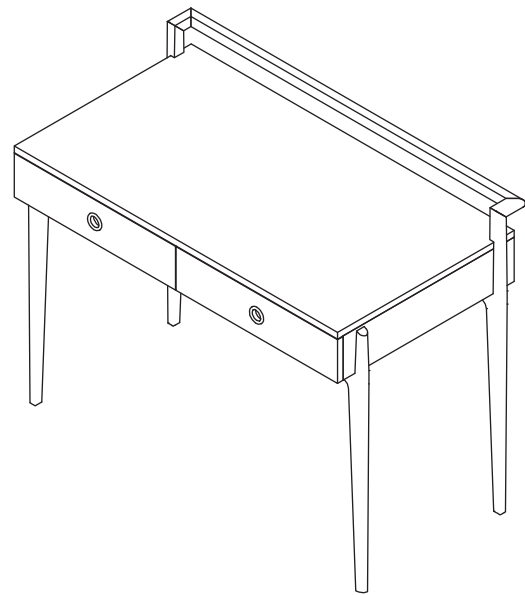
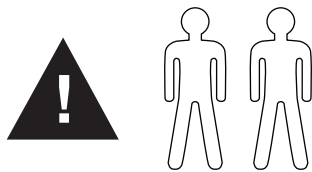


This page lists the contents included in the box. Please take time to identify the hardware as well as the individual components of the product. As you unpack and prepare for assembly, place the contents on a carpeted or padded area to protect them from damage. Please follow the assembly instructions closely. Improper assembly can result in personal or property damage.

**Note: 2 adults are required to safely assemble this product.**



x 04



**a** x 08



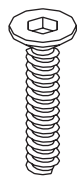
**b** x 08



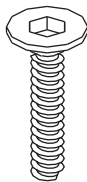
**c** x 12



**d** x 12



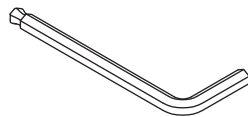
**e** x 04



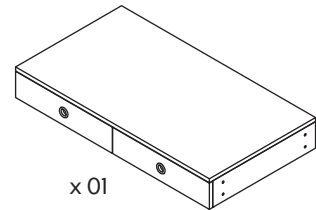
**f** x 08



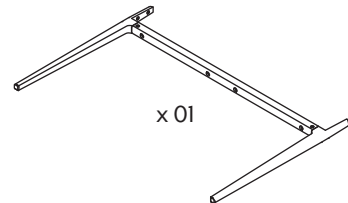
**g** x 08



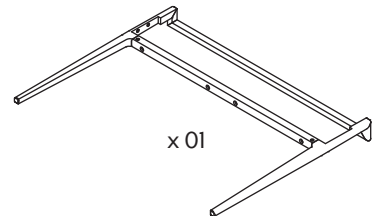
x 01



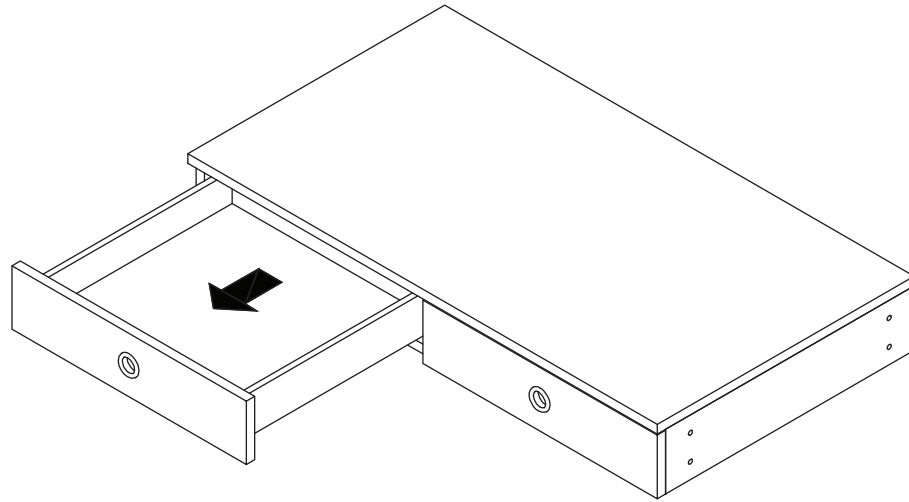
x 01



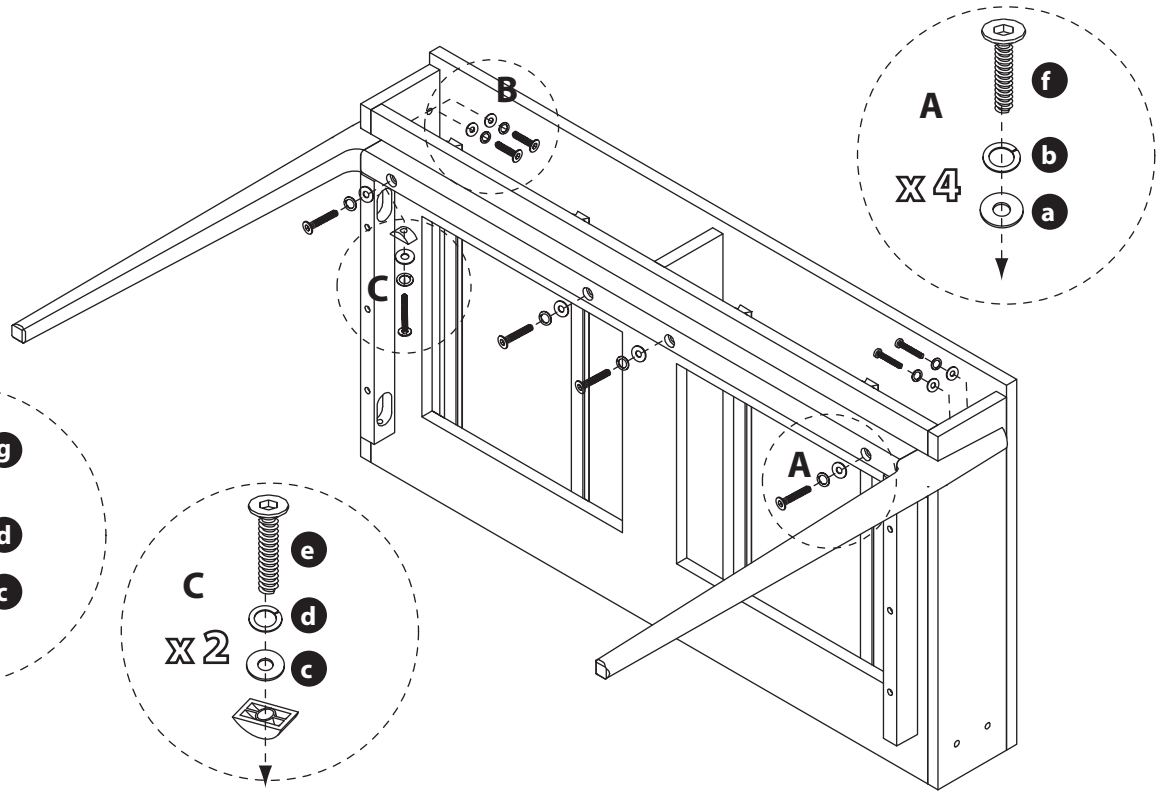
x 01



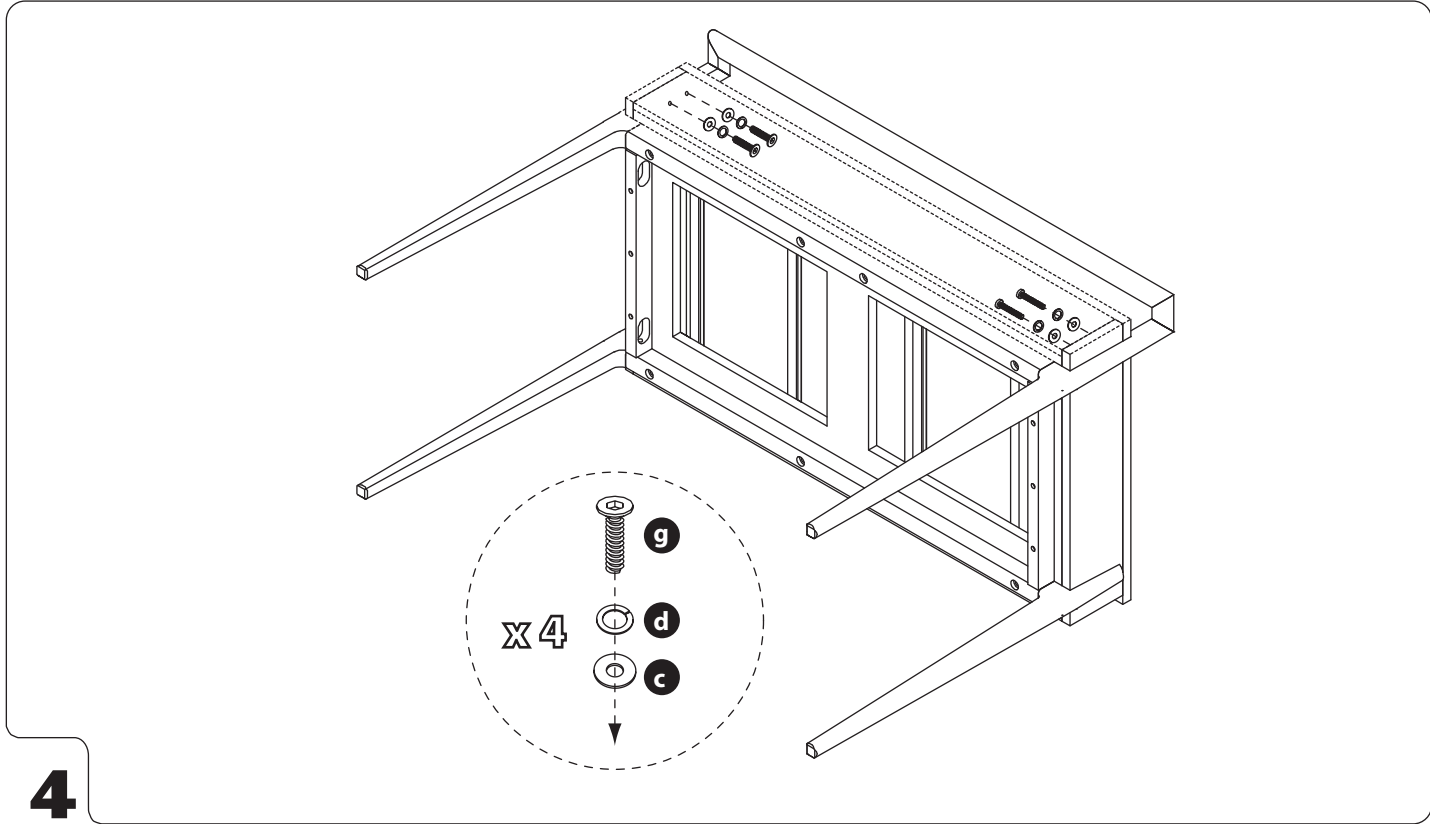
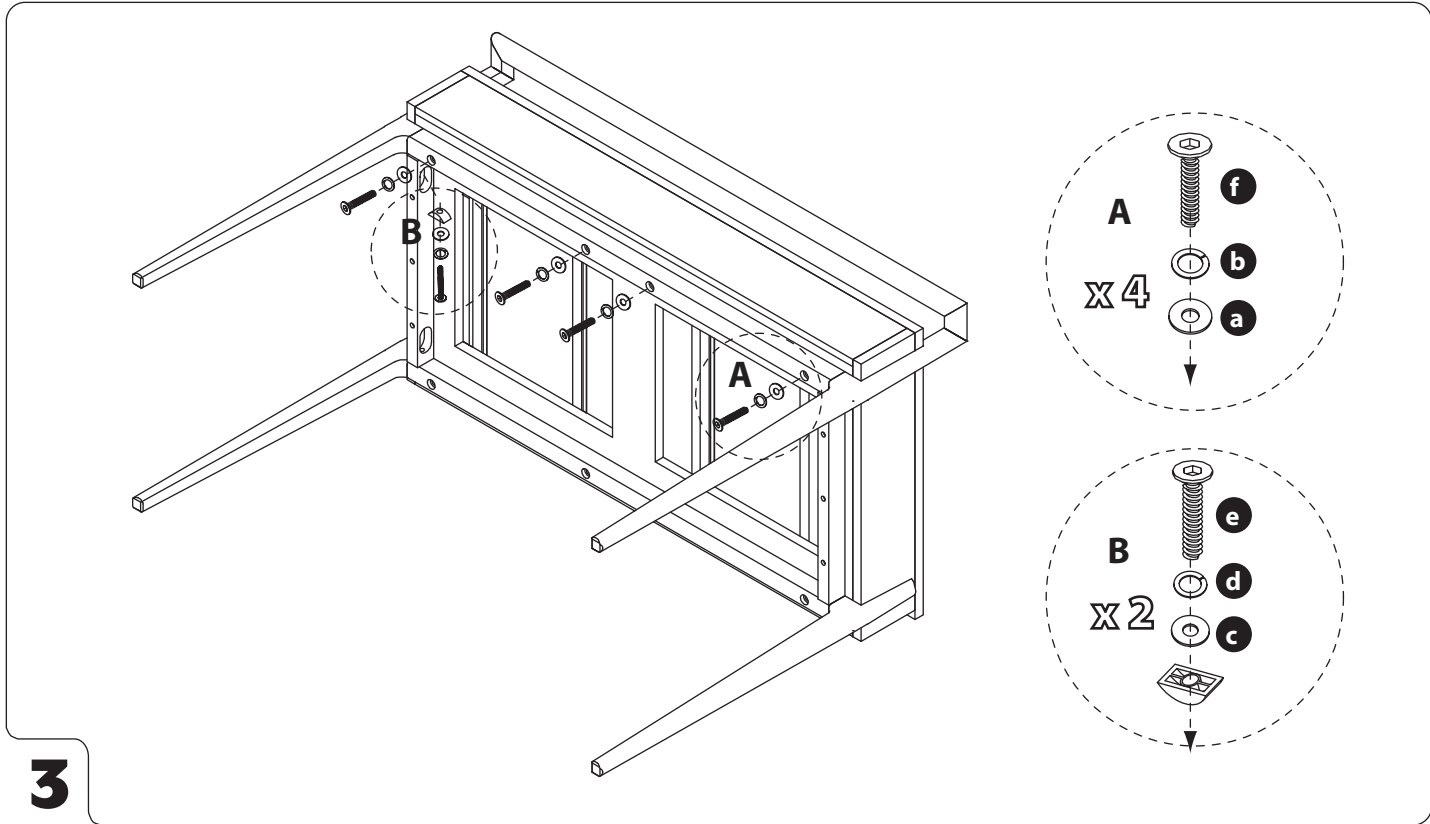
x 01

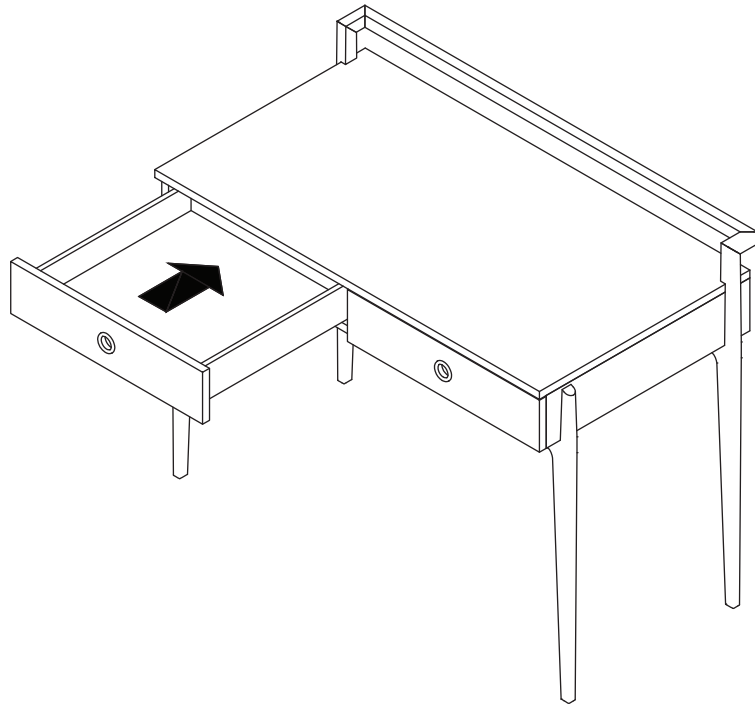


1



2





**5**

**CLEANING AND CARE:**

Clean surfaces with a dry or damp soft cloth. Do not use abrasive cleaners. Periodically check and tighten hardware as necessary.